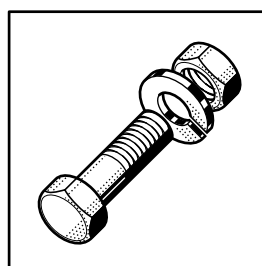




**FTN**

**Spare Parts**  
**Pièces Détachées**  
**Ersatzteile**  
**Onderdelen**

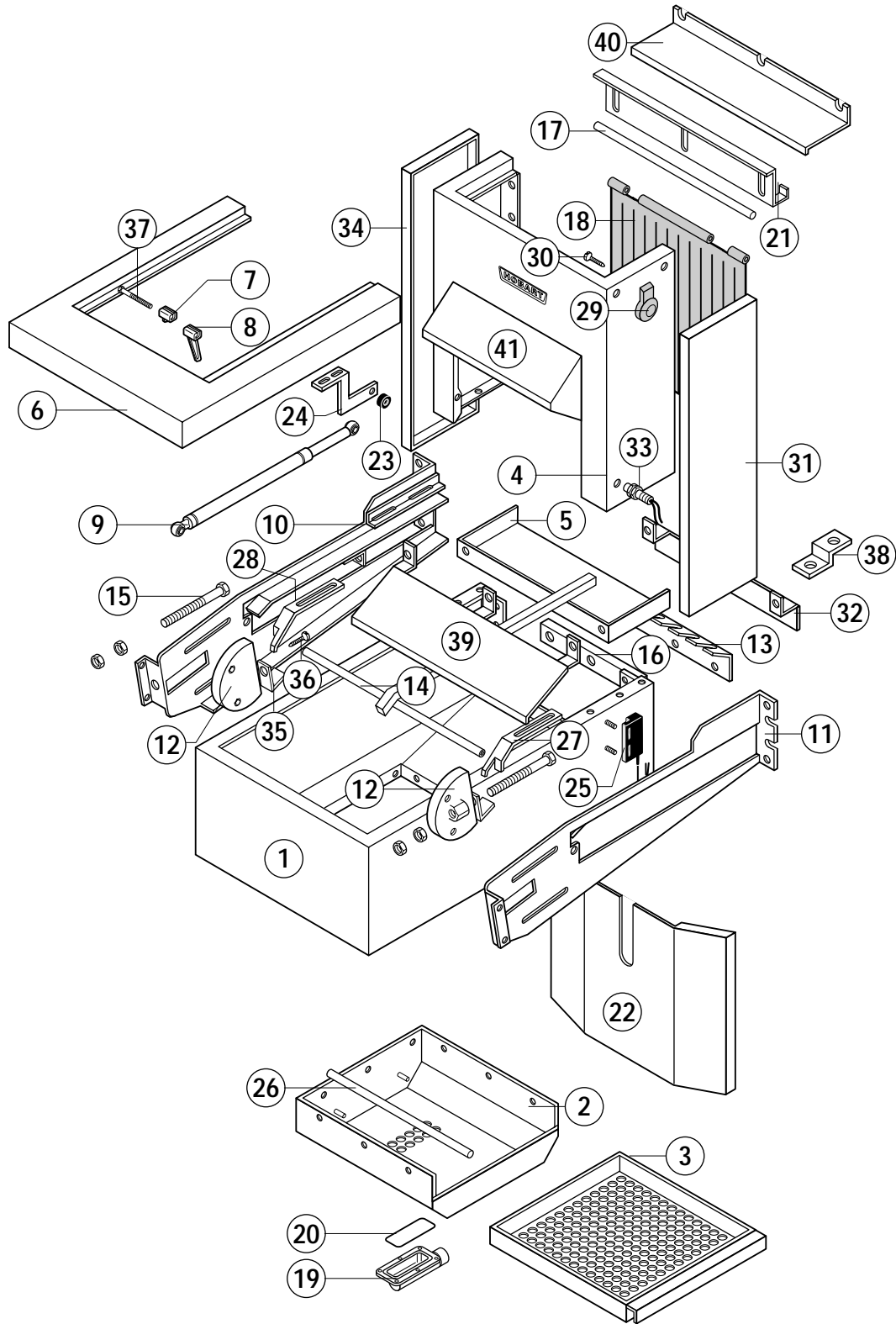


Contents	Chapter
Loading section .....	01
E prewash (old version) .....	02
E prewash (new version) .....	03
Module L .....	04
Module 900 mm .....	05
Module AR .....	06
Module AN .....	07
Wash pump .....	08
Wash and prewash system .....	09
Module R .....	10
Booster (el.) and rinse .....	11
Condensers .....	12
Heat pump .....	13
Pipework .....	14
Drier & booster (steam heating) .....	15
Drier DE .....	16
Drier DL .....	17
Drier DS .....	18
Unload section .....	19
Curtains .....	20
Rinse pump .....	21
Wing doors .....	22

Zulaufstrecke .....	01
E Vorwaschung (alte Version) .....	02
E Vorwaschung (neue Version) .....	03
Modul L .....	04
Modul 900 mm .....	05
Modul AR .....	06
Modul AN .....	07
Waschpumpe .....	08
Waschung und Vorwaschung .....	09
Modul R .....	10
Erhitzer (el.) und Klarspülung .....	11
Kondensatoren .....	12
Wärmepumpe .....	13
Verrohrung .....	14
Trocknung & Erhitzer (Dampfheizung) .....	15
Trocknung DE .....	16
Trocknung DL .....	17
Trocknung DS .....	18
Auslauf .....	19
Vorhänge .....	20
Spülpumpe .....	21
Flügeltüren .....	22

Sommaire	Chapitre
Zone de entrée .....	01
E pré lavage (version ancien) .....	02
E pré lavage (version nouveau) .....	03
Module L .....	04
Module 900 mm .....	05
Module AR .....	06
Module AN .....	07
Pompe de lavage .....	08
Système de lavage et pré lavage .....	09
Module R .....	10
Chaudière (él.) et rinçage .....	11
Condenseurs .....	12
Pompe à chaleur .....	13
Tuyauterie .....	14
Séchage & chaudière (chauffage de vapeur) .....	15
Séchage DE .....	16
Séchage DL .....	17
Séchage DS .....	18
Zone de déchargement .....	19
Rideaux .....	20
Pompe de rinçage .....	21
Portes battantes .....	22

Inhoud	Hoofdstuk
Toevoersektie .....	01
E voorwassing (oude versie) .....	02
E voorwassing (nieuwe versie) .....	03
Modul L .....	04
Modul 900 mm .....	05
Modul AR .....	06
Modul AN .....	07
Waspomp .....	08
Was en voorwas systeem .....	09
Modul R .....	10
Booster (el.) en naspoeling .....	11
Kondensors .....	12
Warmtepomp .....	13
Pijpleiding .....	14
Droging & booster (stoomverwarming) .....	15
Droogzone DE .....	16
Droogzone DL .....	17
Droogzone DS .....	18
Afvoersektie .....	19
Gordijnen .....	20
Spoelpomp .....	21
Vleugeldeuren .....	22



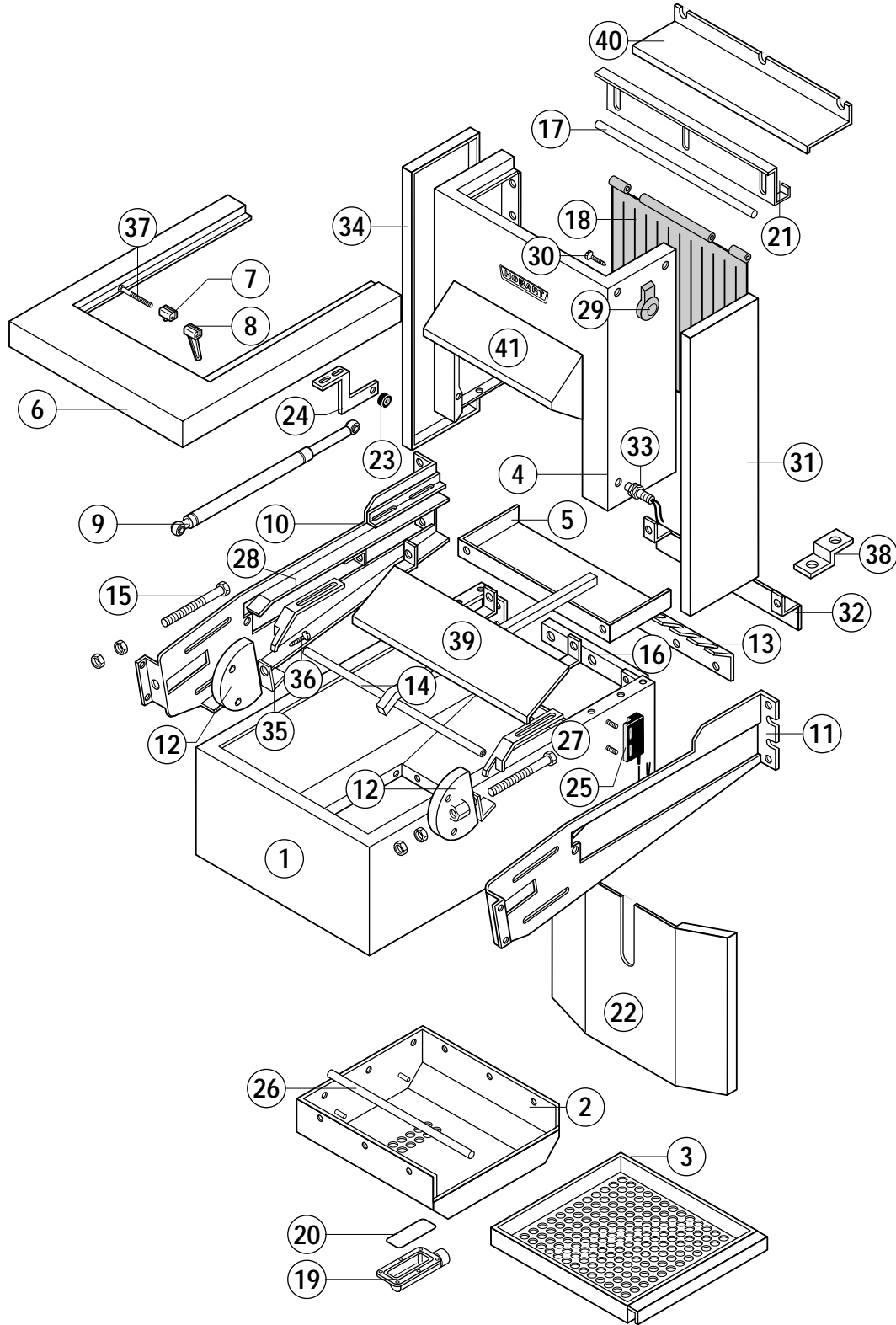


**A** conveyor width  
largeur du convoyeur  
Bandbreite  
bandbreedte

**B** usable height  
hauteur de passage  
Durchlaufhöhe  
doorvoerhoogte

**C** Entry length  
Longueur de entrée  
Zulauflänge  
Toevoerlengte

Pos.	L/R G/D	R/L D/G	Specifications / Spécification / Angaben / Opgaven
01	325446-3	=	A = 612 mm / C = 800 mm
	325446-6	=	A = 806 mm / C = 800 mm
	325446-1	=	A = 612 mm / C = 1 100 mm
	325446-4	=	A = 806 mm / C = 1 100 mm
	774517-1	=	A = 612 mm / C = 1 400 mm
	774517-2	=	A = 806 mm / C = 1 400 mm
02	774538-1	=	A = 612 mm
	774538-2	=	A = 806 mm
03	325844-1	=	A = 612 mm
	325844-2	=	A = 806 mm
04	325743-1	=	A = 612 mm / B = 440 mm
	325743-2	=	A = 806 mm / B = 440 mm
	325743-3	=	A = 612 mm / B = 560 mm
	325743-4	=	A = 806 mm / B = 560 mm
05	325628-1	=	A = 612 mm
	325628-2	=	A = 806 mm
06	325480-6	=	A = 612 mm / C = 800 mm
	325480-12	=	A = 806 mm / C = 800 mm
	325480-2	=	A = 612 mm / C = 1 100 mm
	325480-8	=	A = 806 mm / C = 1 100 mm
	325480-4	=	A = 612 mm / C = 1 400 mm
	325480-10	=	A = 806 mm / C = 1 400 mm
07	774641-1	=	
08	325477-1	=	
09	774756-1	=	
10	325417-3	=	C = 800 mm
	325417-1	=	C = 1 100 mm
	325417-2	=	C = 1 400 mm
11	325416-3	=	C = 800 mm
	325416-1	=	C = 1 100 mm
	325416-2	=	C = 1 400 mm
12	774519-1	=	
13	325104-1	=	A = 612 mm (conveyor / convoyeur / Transportband 325 709-1)
	325693-1	=	A = 806 mm (conveyor / convoyeur / Transportband 325 733-1)
	325213-1	=	A = 612 mm (conveyor / convoyeur / Transportband 325 237-1)
	325686-1	=	A = 806 mm (conveyor / convoyeur / Transportband 325 751-1)
	774924-1	=	A = 612 mm (conveyor / convoyeur / Transportband 325 367-1)
	325983-1	=	A = 806 mm (conveyor / convoyeur / Transportband 325 735-1)
	774853-1	=	A = 612 mm (conveyor / convoyeur / Transportband 325 718-1)
	325973-1	=	A = 806 mm (conveyor / convoyeur / Transportband 325 736-1)
14	325273-5	=	A = 612 mm / C = 800 mm
	325273-11	=	A = 806 mm / C = 800 mm
	325273-1	=	A = 612 mm / C = 1 100 mm
	325273-7	=	A = 806 mm / C = 1 100 mm
	325273-3	=	A = 612 mm / C = 1 400 mm
	325273-9	=	A = 806 mm / C = 1 400 mm
15	604059	=	M 10 x 150
16	325155-1	=	A = 612 mm
	325155-2	=	A = 806 mm



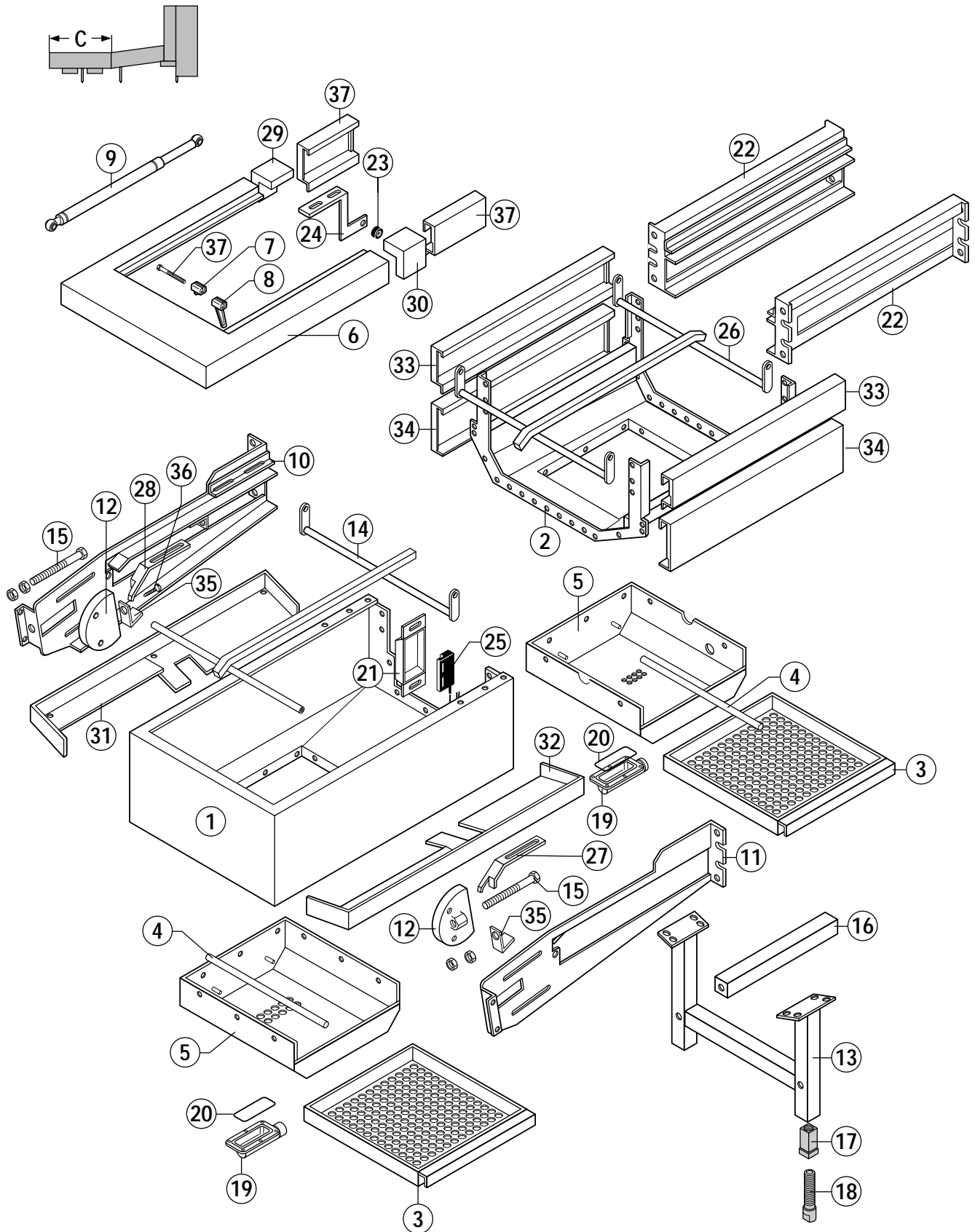


**A** conveyor width  
largeur du convoyeur  
Bandbreite  
bandbreedte

**B** usable height  
hauteur de passage  
Durchlaufhöhe  
doorvoerhoogte

**C** Entry length  
Longueur de entrée  
Zulauflänge  
Toevoerlengte

Pos.	L/R G/D	R/L D/G	Specifications / Spécification / Angaben / Opgaven
17	325360-2	=	A = 612 mm
	325360-3	=	A = 806 mm
18	325346-8	=	A = 612 mm / B = 440 mm
	325346-7	=	A = 806 mm / B = 440 mm
	325346-5	=	A = 612 mm / B = 560 mm
	325346-6	=	A = 806 mm / B = 560 mm
19	325529-1	=	
20	276903-35	=	
21	325232-1	=	A = 612 mm
	325232-2	=	A = 806 mm
22	325841-1	=	A = 612 mm / C = 800 mm
	325841-3	=	A = 806 mm / C = 800 mm
	325852-1	=	A = 612 mm / C = 1 100 mm
	325852-2	=	A = 806 mm / C = 1 100 mm
	325826-1	=	A = 612 mm / C = 1 400 mm
	325826-2	=	A = 806 mm / C = 1 400 mm
23	325673-1	=	
24	325817-1	325817-2	
25	229517	=	
26	325430-1	=	A = 612 mm
	325430-2	=	A = 806 mm
27	774553-1	=	
28	774553-2	=	
29	325037-1	=	
30	600526	=	B 4,8 x 9,5
31	325850-1	=	B = 440 mm
	325850-2	=	B = 560 mm
	774533-7	774533-9	B = 440 mm (only with entry section 1 / seulement avec zone de chargement 1 / nur mit Zulauf 1 / alleen met toevoersectie 1)
	774533-8	774533-10	B = 560 mm (only with entry section 1 / seulement avec zone de chargement 1 / nur mit Zulauf 1 / alleen met toevoersectie 1)
32	325629-1	=	A = 612 mm
	325629-2	=	A = 806 mm
33	325752-1	=	LT-G-5 (transmitter / émetteur / Sender / zender)
	325754-1	=	LR-G-5 (receptor / recepteur / Empfänger / ontvanger)
34	774533-11	=	B = 440 mm (only with entry section 1 / seulement avec zone de chargement 1 / nur mit Zulauf 1 / alleen met toevoersectie 1)
	774533-12	=	B = 560 mm (only with entry section 1 / seulement avec zone de chargement 1 / nur mit Zulauf 1 / alleen met toevoersectie 1)
	325850-3	=	B = 440 mm
	325850-4	=	B = 560 mm
35	325517-1	=	
36	603335	=	
37	600656	=	
38	775210-2	775210-1	
39	775213-1	=	A = 612 mm (only without prewash / seulement sans pré-lavage / nur ohne Vorwaschung / alleen zonder vorwasing)
40	775212-1	=	A = 612 mm (only without prewash / seulement sans pré-lavage / nur ohne Vorwaschung / alleen zonder vorwasing)
41	775217-1	=	A = 612 mm (only without prewash / seulement sans pré-lavage / nur ohne Vorwaschung / alleen zonder vorwasing)





**A** conveyor width  
largeur du convoyeur  
Bandbreite  
bandbreedte

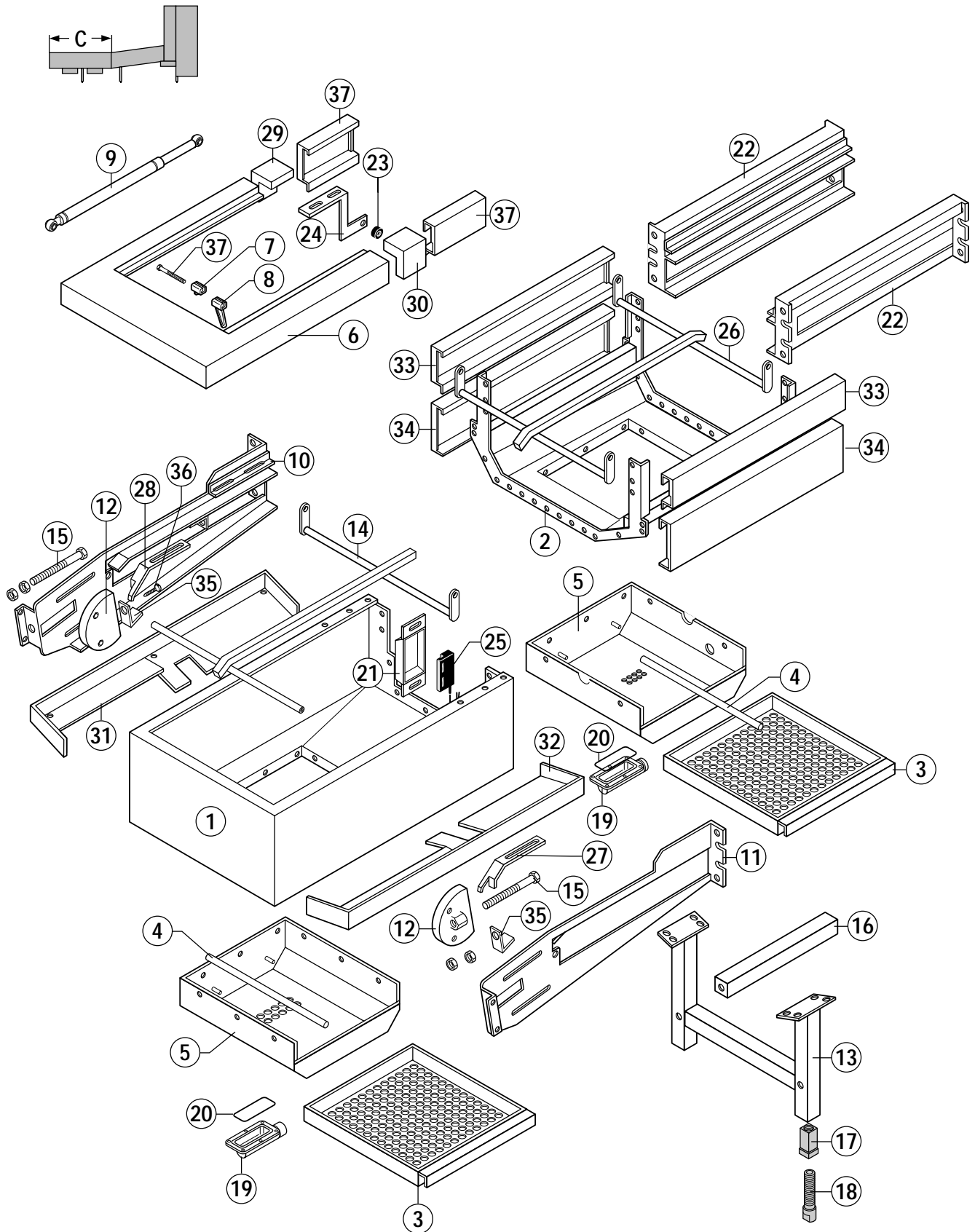
**B** usable height  
hauteur de passage  
Durchlaufhöhe  
doorvoerhoogte

**C** Entry length  
Longueur de entrée  
Zulauflänge  
Toevoerlengte

Pos.	L/R G/D	R/L D/G	Specifications / Spécification / Angaben / Opgaven
01	736503-1	=	A = 612 mm / C = 1 175 mm & 1 775 mm
	736503-2	=	A = 806 mm / C = 1 175 mm & 1 775 mm
	731482-1	=	A = 612 mm / C = 1 475 mm
	731482-2	=	A = 806 mm / C = 1 475 mm
02	736540-1	=	A = 612 mm / only / seulement / nur / maar C = 1 775 mm
	736540-2	=	A = 806 mm / only / seulement / nur / maar C = 1 775 mm
03	325844-1	=	A = 612 mm
	325844-2	=	A = 806 mm
04	325430-1	=	A = 612 mm
	325430-2	=	A = 806 mm
05	774654-5	=	A = 612 mm
	774654-6	=	A = 806 mm
06	325480-4	=	A = 612 mm
	325480-10	=	A = 806 mm
07	774641-1	=	A = 612 mm
08	325477-1	=	
09	774756-1	=	
10	736509-1	736510-1	C = 1 175 mm & 1 775 mm
	736578-1	736579-1	C = 1 475 mm
11	736510-1	736509-1	C = 1 175 mm & 1 775 mm
	736579-1	736578-1	C = 1 475 mm
12	774519-1	=	
13	731493-1	=	A = 612 mm
	731493-2	=	A = 806 mm
14	731498-3	=	A = 612 mm / C = 1 175 mm & 1 775 mm
	731498-4	=	A = 806 mm / C = 1 175 mm & 1 775 mm
	731498-1	=	A = 612 mm / C = 1 475 mm
	731498-2	=	A = 806 mm / C = 1 475 mm
15	604059	=	
16	695745-66	=	C = 1 175 mm
	695745-49	=	C = 1 475 mm
	695745-86	=	C = 1 775 mm
17	325008-1	=	
18	325007-1	=	
19	325529-1	=	
20	276903-35	=	
21	736527-1	=	
22	736544-1	=	only / seulement / nur / maar C = 1 775 mm
23	325673-1	=	
24	325817-1	=	
25	229517	=	
26	736589-1	=	A = 612 mm / only / seulement / nur / maar C = 1 775 mm
27	774553-1	774553-2	
28	774553-2	774553-1	
29	784228-1	784228-2	C = 1 175 mm & 1 775 mm
	731499-1	731499-2	C = 1 475 mm
30	784228-2	784228-1	C = 1 175 mm & 1 775 mm
	731499-2	731499-1	C = 1 475 mm

1.2 – Loading section (lowered) / Zone d'entrée (bas) / Zulaufstrecke (abgesetzt) / Toevoersectie (verlaagd)







**A** conveyor width  
largeur du convoyeur  
Bandbreite  
bandbreedte

**B** usable height  
hauteur de passage  
Durchlaufhöhe  
doorvoerhoogte

**C** Entry length  
Longuer de entrée  
Zulauflänge  
Toevoerlengte

Pos.	L/R G/D	R/L D/G	Specifications / Spécification / Angaben / Opgaven
31	736512-1	736512-2	C = 1 175 mm & 1 775 mm
	731496-1	731496-2	C = 1 475 mm
32	736512-2	736512-1	C = 1 175 mm & 1 775 mm
	731496-2	731496-1	C = 1 475 mm
33	731491-1	=	only / seulement / nur / maar C = 1 775 mm
34	736539-1	=	only / seulement / nur / maar C = 1 775 mm
35	325517-1	=	
36	600741	=	
37	731490-2	=	only / seulement / nur / maar C = 1 475 mm

1.2 – Loading section (lowered) / Zone d'entrée (bas) / Zulaufstrecke (abgesetzt) / Toevoersectie (verlaagd)

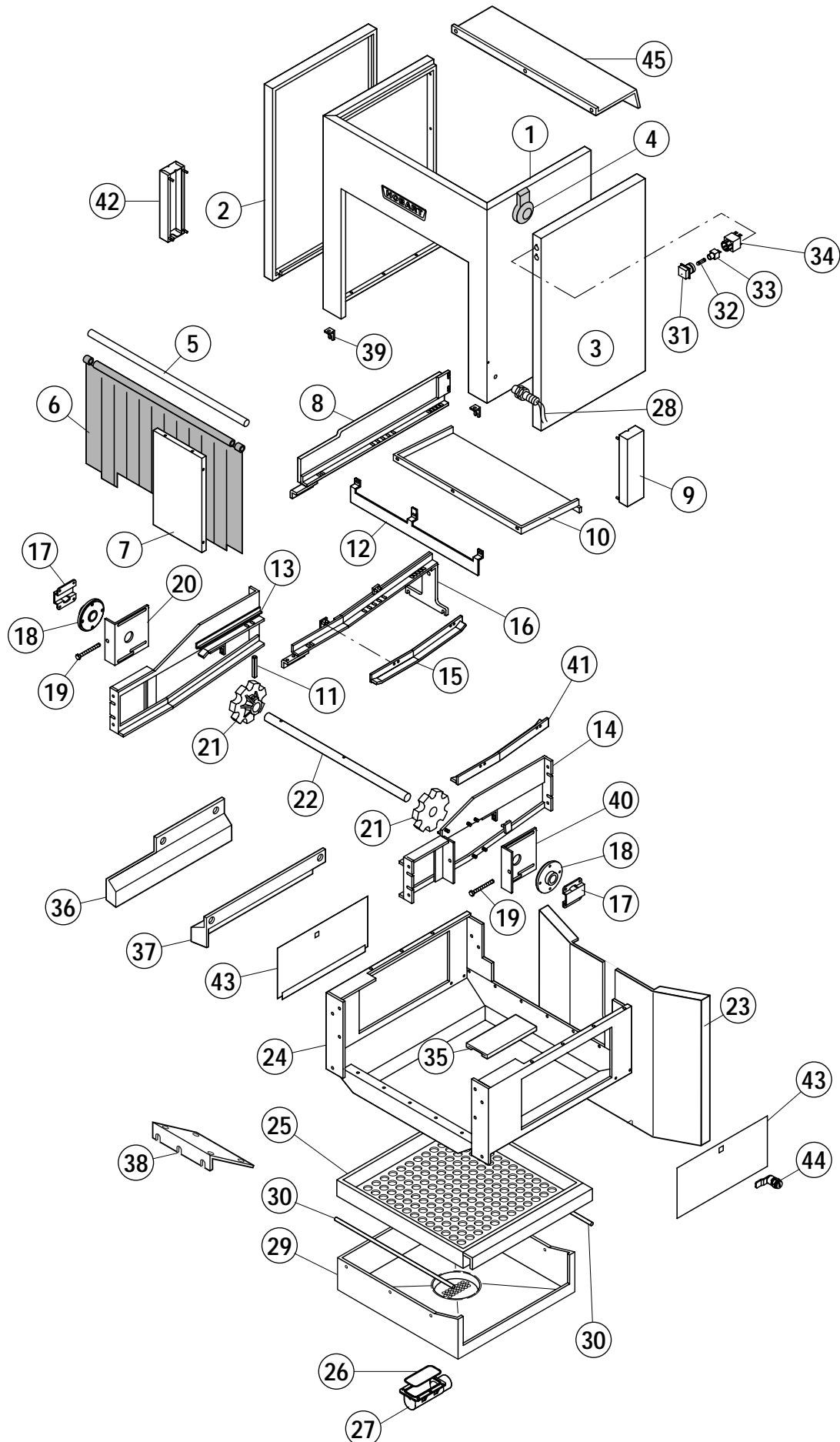


**A** conveyor width  
largeur du convoyeur  
Bandbreite  
bandbreedte

**B** usable height  
hauteur de passage  
Durchlaufhöhe  
doorvoerhoogte

**C** Entry length  
Longueur de entrée  
Zulauflänge  
Toevoerlengte

Pos.	L/R G/D	R/L D/G	Specifications / Spécification / Angaben / Opgaven
01	736567-4	=	B = 440
	736567-1	=	B = 560
02	736586-7	736586-8	B = 440
	736586-3	736586-4	B = 560
03	736586-5	736586-6	B = 440
	736586-1	736586-2	B = 560
04	325037-1	=	
05	325360-2	=	
06	775220-7	=	B = 440
	775220-9	=	B = 560
07	736575-2	=	B = 440
	736575-1	=	B = 560
08	736563-3	736563-4	
09	736581-1	736581-2	
10	325628-1	=	
11	602849	=	
12	325629-1	=	
13	780123-3	780123-4	
14	780121-3	780121-4	
15	736531-2	736531-3	
16	736566-5	736566-6	
17	736571-1	=	
18	325243-1	=	
19	600607	=	
20	736569-2	736569-1	
21	229240	=	
22	325223-5	=	
23	325841-1	=	
24	868990-1	=	
25	325844-1	=	
26	276903-35	=	
27	325529-1	=	
28	325 752-1	=	LT-G-5 (transmitter / émetteur / Sender / zender)
	325 754-1	=	LR-G-5 (receptor / recepteur / Empfänger / ontvanger)
29	774538-1	=	
30	325430-1	=	
31	774788-...	= =	see wiring diagramme / voir schéma de cablage / siehe Schaltplan / zie elektrisch schema
	774789-...	= =	see wiring diagramme / voir schéma de cablage / siehe Schaltplan / zie elektrisch schema
32	774790-...	=	see wiring diagramme / voir schéma de cablage / siehe Schaltplan / zie elektrisch schema
		=	
33	774793-...	=	see wiring diagramme / voir schéma de cablage / siehe Schaltplan / zie elektrisch schema
		=	
34	774793-...	=	see wiring diagramme / voir schéma de cablage / siehe Schaltplan / zie elektrisch schema
		=	
35	869 564-1	=	
36	781 910-4	781 910-3	
37	781 907-2	781 907-1	





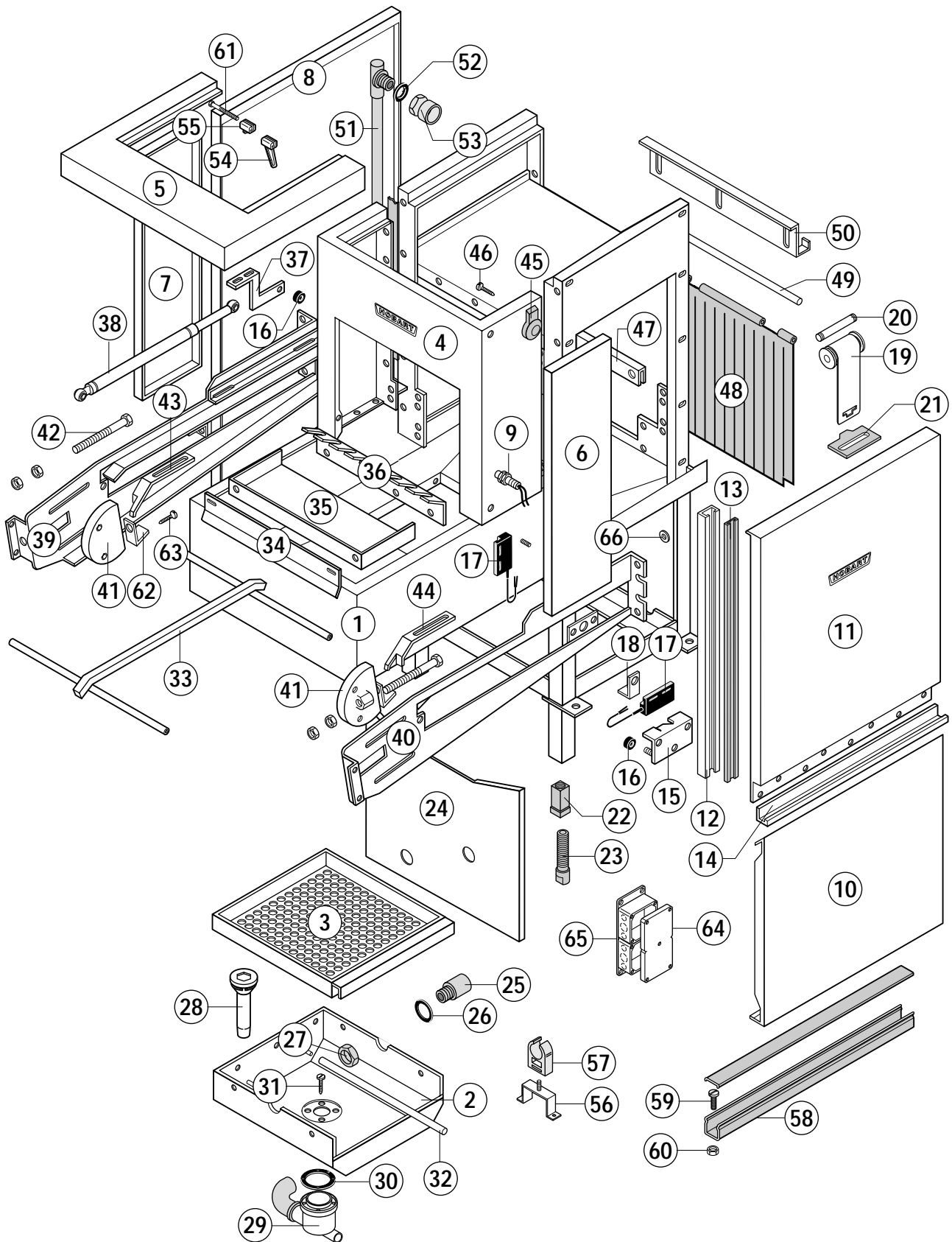
**A** conveyor width  
largeur du convoyeur  
Bandbreite  
bandbreedte

**B** usable height  
hauteur de passage  
Durchlaufhöhe  
doorvoerhoogte

**C** Entry length  
Longuer de entrée  
Zulauflänge  
Toevoerlengte

Pos.	L/R G/D	R/L D/G	Specifications / Spécification / Angaben / Opgaven
38	869563-1	=	
39	736572-1	=	
40	736569-1	736569-2	
41	736531-3	736531-2	
42	736581-3	=	
43	736559-1	=	
44	696042-1	=	
45	783023-1	=	

Pos.	L/R G/D	R/L D/G	Specifications / Spécification / Angaben / Opgaven
01	774534-2	774661-2	A = 612 mm / B = 440 mm / C = 1 200 mm
	-	-	A = 806 mm / B = 440 mm / C = 1 200 mm
	-	-	A = 806 mm / B = 560 mm / C = 1 200 mm
	774534-6	774661-4	A = 612 mm / B = 560 mm / C = 1 200 mm
	774534-1	774661-1	A = 612 mm / B = 440 mm / C = 1 500 mm
	775160-1	775162-1	A = 806 mm / B = 440 mm / C = 1 500 mm
	775160-3	775162-3	A = 806 mm / B = 560 mm / C = 1 500 mm
	774534-5	774661-3	A = 612 mm / B = 560 mm / C = 1 500 mm
	325371-1	325162-1	A = 612 mm / B = 440 mm / C = 1 800 mm
	775161-1	775163-1	A = 806 mm / B = 440 mm / C = 1 800 mm
	775161-2	775163-2	A = 806 mm / B = 560 mm / C = 1 800 mm
325371-2	325162-2	A = 612 mm / B = 560 mm / C = 1 800 mm	
02	775222-1	=	A = 612 mm
	775222-2	=	A = 806 mm
03	325844-1	=	
04	325743-1	=	A = 612 mm / B = 440 mm
	325743-3	=	A = 612 mm / B = 560 mm
	325743-2	=	A = 806 mm / B = 440 mm
	325743-4	=	A = 806 mm / B = 560 mm
05	325480-5	=	A = 612 mm / C = 1 200 mm
	325480-11	=	A = 806 mm / C = 1 200 mm
	325480-1	=	A = 612 mm / C = 1 500 mm
	325480-7	=	A = 806 mm / C = 1 500 mm
	325480-3	=	A = 612 mm / C = 1 800 mm
	325480-9	=	A = 806 mm / C = 1 800 mm
06	774533-1	774533-3	B = 440 mm / C = 1 200 mm / 1 500 mm
	774533-2	774533-4	B = 560 mm / C = 1 200 mm / 1 500 mm
	325850-1	=	B = 440 mm / C = 1 800 mm
	325850-2	=	B = 560 mm / C = 1 800 mm
07	774533-5	=	B = 440 mm / C = 1 200 mm / 1 500 mm
	774533-6	=	B = 560 mm / C = 1 200 mm / 1 500 mm
	325850-3	=	B = 440 mm / C = 1 800 mm
	325850-4	=	B = 560 mm / C = 1 800 mm
08	325288-5	=	B = 440 mm
	325288-15	=	B = 560 mm
09	325752-1	=	LT-G-5 (transmitter / émetteur / Sender / zender)
	325754-1	=	LR-G-5 (receptor / recepteur / Empfänger / ontvanger)
10	325632-1	325632-2	C = 1 200 mm / 1 500 mm
	325118-1	=	C = 1 800 mm
11	325280-1	=	B = 440 mm
	325280-6	=	B = 560 mm
12	325191-1	=	B = 440 mm
	325191-2	=	B = 560 mm
13	325064-1	=	B = 440 mm
	325064-2	=	B = 560 mm
14	325290-1	=	
15	774501-1	=	





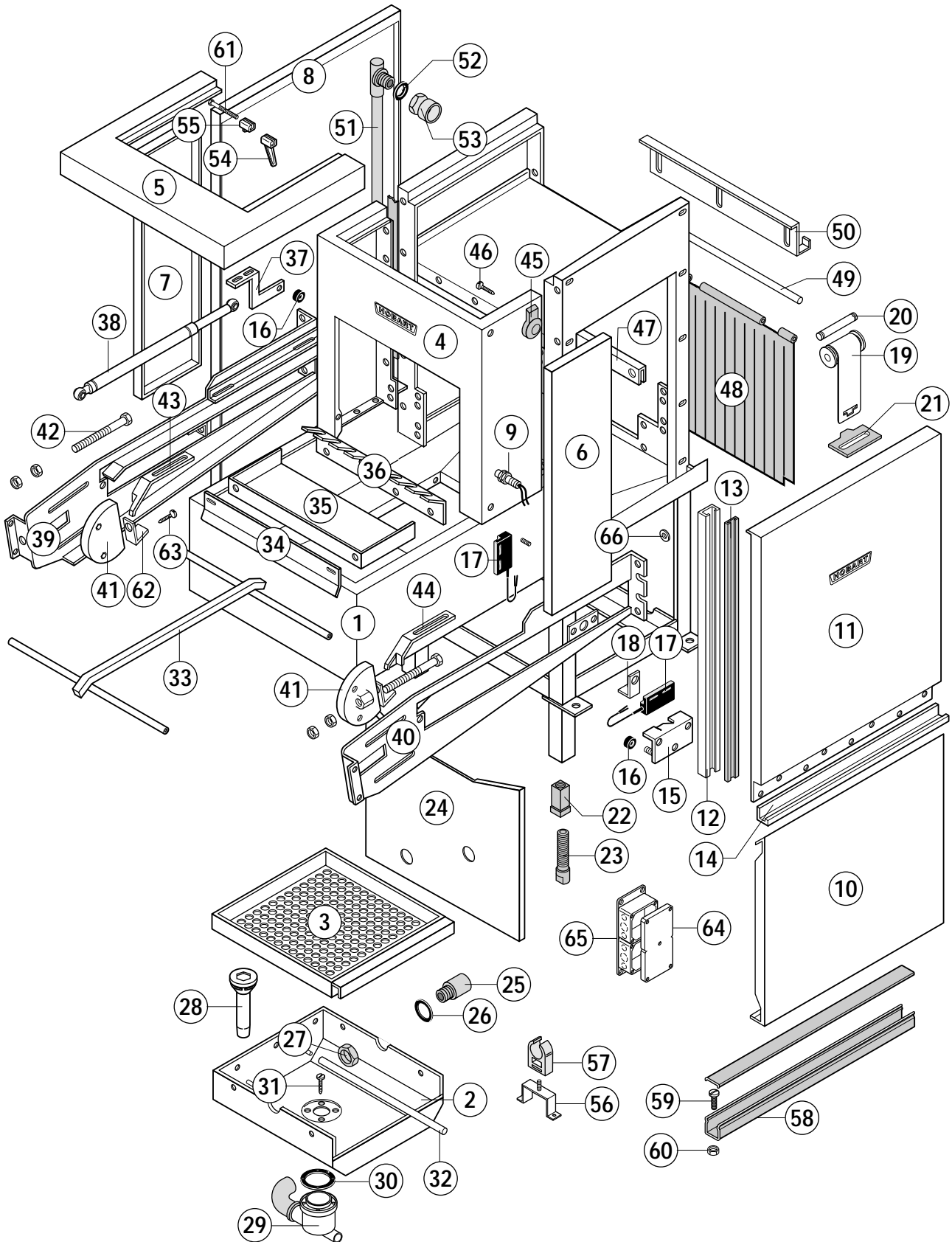
**A** conveyor width  
largeur du convoyeur  
Bandbreite  
bandbreedte

**B** usable height  
hauteur de passage  
Durchlaufhöhe  
doorvoerhoogte

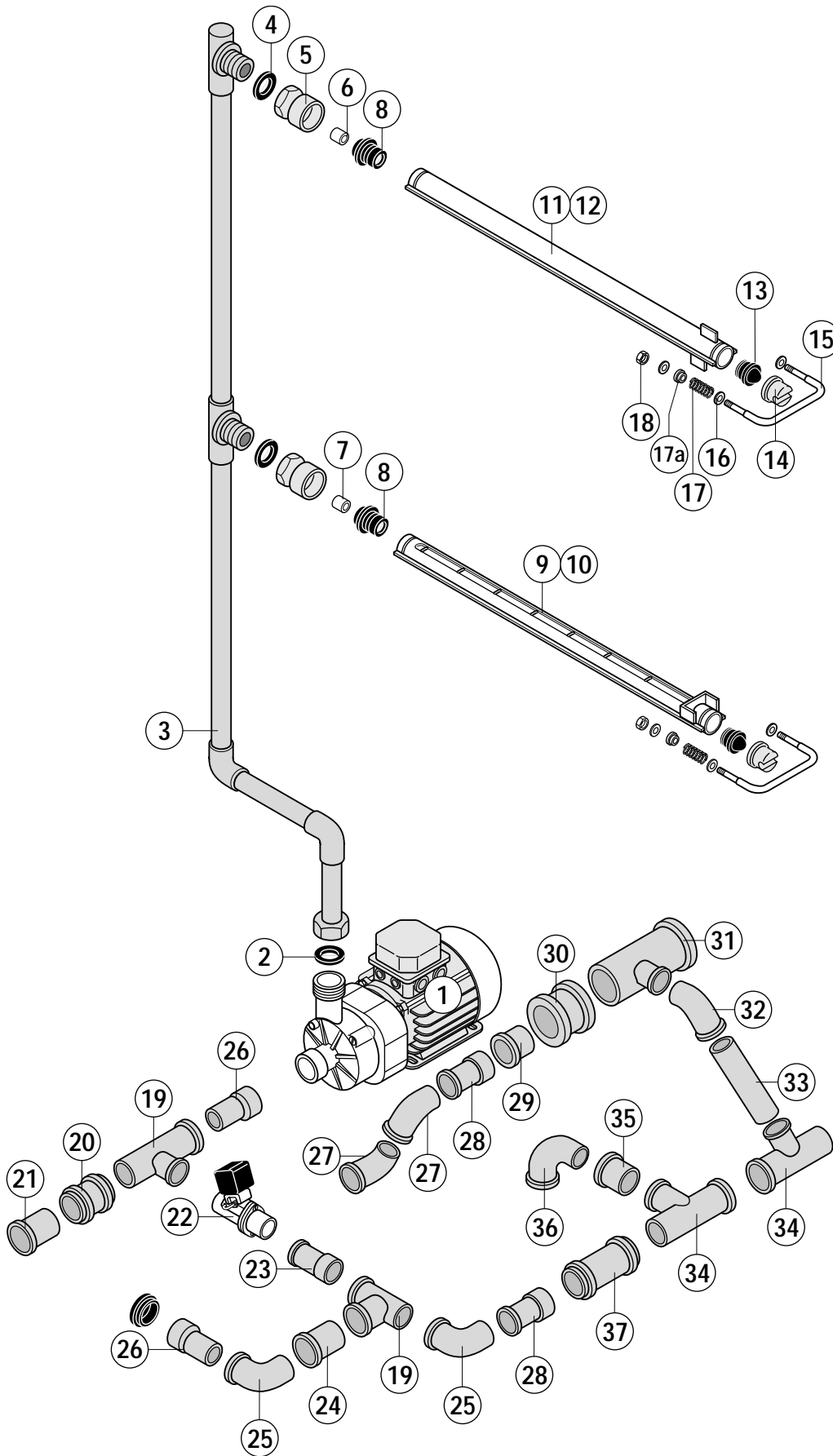
**C** Entry length  
Longueur de entrée  
Zulauflänge  
Toevoerlengte

Pos.	L/R G/D	R/L D/G	Specifications / Spécification / Angaben / Opgaven
16	325673-1	=	
17	229517	=	
18	774795-1	=	
19	774749-	=	B = 440 mm
	774749-	=	B = 560 mm
20	774495-1	=	
21	774499-1	=	
22	325008-1	=	
23	325007-1	=	
24	325851-2	325851-1	C = 1 200 mm / C = 1 500 mm
	325986-2	325986-1	C = 1 800 mm
25	774616-1	=	
26	172986-28	=	
27	172739-8	=	
28	774846-1	=	
29	325369-1	325369-2	
30	324056	=	
31	602567	=	M 5 x 10
32	325430-1	=	A = 612 mm
	325430-2	=	A = 806 mm
33	325273-6	=	A = 612 mm / C = 1 200 mm
	325273-2	=	A = 612 mm / C = 1 500 mm
	325273-4	=	A = 612 mm / C = 1 800 mm
	325273-12	=	A = 806 mm / C = 1 200 mm
	325273-8	=	A = 806 mm / C = 1 500 mm
	325273-10	=	A = 806 mm / C = 1 800 mm
34	325631-1	=	A = 612 mm
	325631-2	=	A = 806 mm
35	325956-1	=	A = 612 mm
	325956-2	=	A = 806 mm
36	325104-1	=	A = 612 mm (conveyor / convoyeur / Transportband 325 709-1)
	325693-1	=	A = 806 mm (conveyor / convoyeur / Transportband 325 733-1)
	325213-1	=	A = 612 mm (conveyor / convoyeur / Transportband 325 237-1)
	325686-1	=	A = 806 mm (conveyor / convoyeur / Transportband 325 751-1)
	774924-1	=	A = 612 mm (conveyor / convoyeur / Transportband 325 367-1)
	325983-1	=	A = 806 mm (conveyor / convoyeur / Transportband 325 735-1)
	774853-1	=	A = 612 mm (conveyor / convoyeur / Transportband 325 718-1)
325973-1	=	A = 806 mm (conveyor / convoyeur / Transportband 325 736-1)	
37	325817-1	325817-2	
38	774756-1	=	
39	325419-5	325418-6	C = 1 200 mm
	325419-1	325418-2	C = 1 500 mm
	325419-3	325418-4	C = 1 800 mm
40	325418-5	325419-6	C = 1 200 mm
	325418-1	325419-2	C = 1 500 mm
	325418-3	325419-4	C = 1 800 mm
41	774519-1	=	
42	604059	=	
43	774553-2	=	
44	774553-1	=	











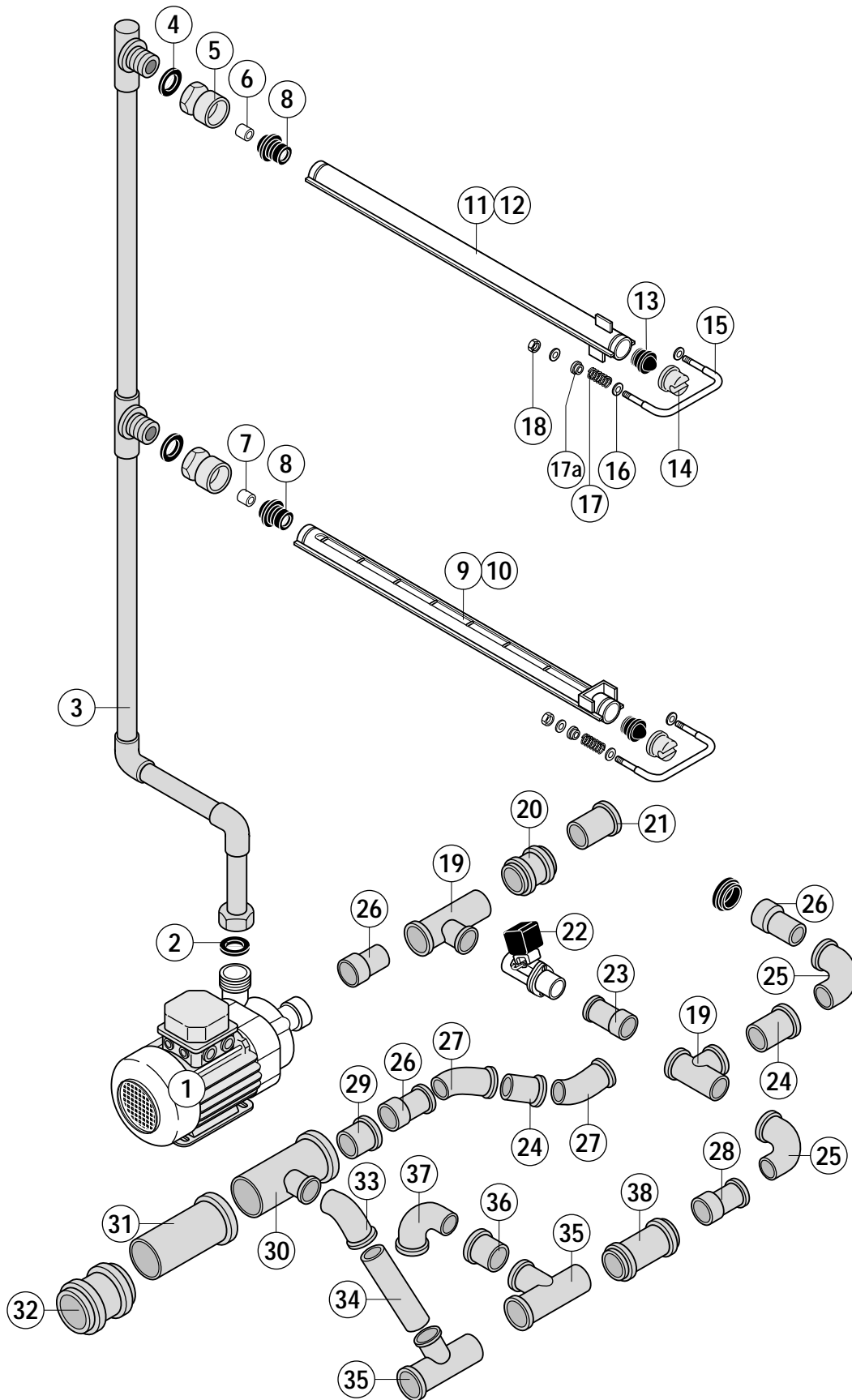
**A** conveyor width  
 largeur du convoyeur  
 Bandbreite  
 bandbreedte

**B** usable height  
 hauteur de passage  
 Durchlaufhöhe  
 doorvoerhoogte

**C** Entry lenght  
 Longuer de entrée  
 Zulauflänge  
 Toevoerlengte

Pos.	L/R G/D	R/L D/G	Specifications / Spécification / Angaben / Opgaven
01	774908-1		
02	67500-72		
03	774871-1		A = 612 mm / B = 440 mm
	774871-1		A = 806 mm / B = 440 mm
	774871-3		A = 612 mm / B = 560 mm
	774871-3		A = 806 mm / B = 560 mm
05	774649-1		
06	493414		Ø 11,8
07	325501-3		Ø 10
08	325308-1		
09	325327-1		A = 612 mm
	325327-2		A = 806 mm
10	325577-1		A = 612 mm (including / comprend / beinhaltet / inclusief 7, 8)
	325577-2		A = 806 mm (including / comprend / beinhaltet / inclusief 6, 8)
11	325327-3		A = 612 mm
	325327-4		A = 806 mm
12	325577-3		A = 612 mm (including / comprend / beinhaltet / inclusief 6, 8)
	325577-4		A = 806 mm (including / comprend / beinhaltet / inclusief 6, 8)
13	784304-1		
14	774692-1		
15	774703-1		
16	602283		
17	774697-1		
17a	775208-1		
18	602507		
19	323593-1		
20	774809-1		
21	325706-7		
22	774683-1		
23	325706-9		
24	325706-8		
25	692281-2		
26	323594-1		
27	230080-3		
28	325708-1		
29	692282-1		
30	692283-1		
31	323593-4		
32	377340-1		
33	325737-1		
34	323593-3		
35	229679-12		
36	230080-1		
37	229680-1		

2 – E prewash L/R (old version) / E pré-lavage G/D (version ancien) / E Vorwaschung L/R (alte Version) / E voorwassing L/R (oude versie)





**A** conveyor width  
largeur du convoyeur  
Bandbreite  
bandbreedte

**B** usable height  
hauteur de passage  
Durchlaufhöhe  
doorvoerhoogte

**C** Entry lenght  
Longuer de entrée  
Zulauflänge  
Toevoerlengte

Pos.	L/R G/D	R/L D/G	Specifications / Spécification / Angaben / Opgaven
01		774908-1	
02		67500-72	
03		774870-1	A = 612 mm / B = 440 mm
		774870-1	A = 806 mm / B = 440 mm
		774870-3	A = 612 mm / B = 560 mm
		774870-3	A = 806 mm / B = 560 mm
04		172986-27	
05		774649-1	
06	493414		Ø 11,8
07	325501-3		Ø 10
08		325308-1	
09		325327-1	A = 612 mm
		325327-2	A = 806 mm
10		325577-1	A = 612 mm (including / comprend / beinhaltet / inclusief 7, 8)
		325577-2	A = 806 mm (including / comprend / beinhaltet / inclusief 6, 8)
11		325327-3	A = 612 mm
		325327-4	A = 806 mm
12		325577-3	A = 612 mm (including / comprend / beinhaltet / inclusief 6, 8)
		325577-4	A = 806 mm (including / comprend / beinhaltet / inclusief 6, 8)
13		784304-1	
14		774692-1	
15		774703-1	
16		602283	
17		774697-1	
17a		775208-1	
18		602507	
19		323593-1	
20		774809-1	
21		325706-7	
22		774683-1	
23		325706-9	
24		325706-8	
25		692281-2	
26		323594-1	
27		230080-3	
28		325708-1	
29		692282-1	
30		323593-4	
31		692284-2	
32		692283-1	
33		377340-1	
34		325737-1	
35		323593-3	
36		229679-12	
37		230080-1	
38		229680-1	

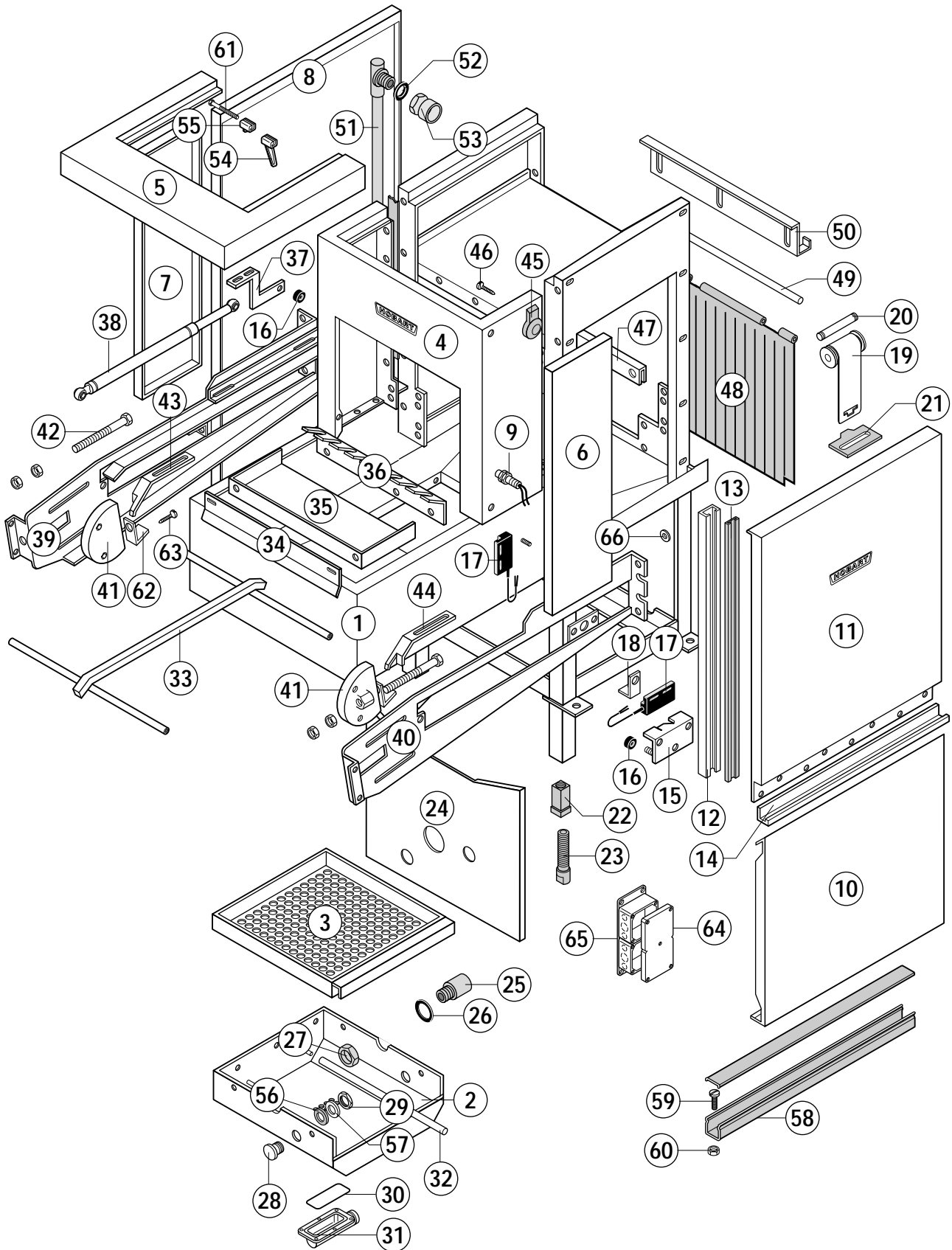


**A** conveyor width  
largeur du convoyeur  
Bandbreite  
bandbreedte

**B** usable height  
hauteur de passage  
Durchlaufhöhe  
doorvoerhoogte

**C** Entry length  
Longueur de entrée  
Zulauflänge  
Toevoerlengte

Pos.	L/R G/D	R/L D/G	Specifications / Spécification / Angaben / Opgaven
01	774534-2	774661-2	A = 612 mm / B = 440 mm / C = 1 200 mm
	-	-	A = 806 mm / B = 440 mm / C = 1 200 mm
	-	-	A = 806 mm / B = 560 mm / C = 1 200 mm
	774534-6	774661-4	A = 612 mm / B = 560 mm / C = 1 200 mm
	774534-1	774661-1	A = 612 mm / B = 440 mm / C = 1 500 mm
	775160-1	775162-1	A = 806 mm / B = 440 mm / C = 1 500 mm
	775160-3	775162-3	A = 806 mm / B = 560 mm / C = 1 500 mm
	774534-5	774661-3	A = 612 mm / B = 560 mm / C = 1 500 mm
	325371-1	325162-1	A = 612 mm / B = 440 mm / C = 1 800 mm
	775161-1	775163-1	A = 806 mm / B = 440 mm / C = 1 800 mm
	775161-2	775163-2	A = 806 mm / B = 560 mm / C = 1 800 mm
	325371-2	325162-2	A = 612 mm / B = 560 mm / C = 1 800 mm
02	774538-1	=	A = 612 mm
	774538-2	=	A = 806 mm
03	325844-1	=	A = 612 mm
	325844-2	=	A = 806 mm
04	325743-1	=	A = 612 mm / B = 440 mm
	325743-3	=	A = 612 mm / B = 560 mm
	325743-2	=	A = 806 mm / B = 440 mm
	325743-4	=	A = 806 mm / B = 560 mm
05	325480-5	=	A = 612 mm / C = 1 200 mm
	325480-11	=	A = 806 mm / C = 1 200 mm
	325480-1	=	A = 612 mm / C = 1 500 mm
	325480-7	=	A = 806 mm / C = 1 500 mm
	325480-3	=	A = 612 mm / C = 1 800 mm
	325480-9	=	A = 806 mm / C = 1 800 mm
06	774533-1	774533-3	B = 440 mm / C = 1 200 mm / 1 500 mm
	774533-2	774533-4	B = 560 mm / C = 1 200 mm / 1 500 mm
	325850-1	=	B = 440 mm / C = 1 800 mm
	325850-2	=	B = 560 mm / C = 1 800 mm
07	774533-5	=	B = 440 mm / C = 1 200 mm / 1 500 mm
	774533-6	=	B = 560 mm / C = 1 200 mm / 1 500 mm
	325850-3	=	B = 440 mm / C = 1 800 mm
	325850-4	=	B = 560 mm / C = 1 800 mm
08	325288-5	=	B = 440 mm
	325288-15	=	B = 560 mm
09	325752-1	=	LT-G-5 (transmitter / émetteur / Sender / zender)
	325754-1	=	LR-G-5 (receptor / recepteur / Empfänger / ontvanger)
10	325632-1	325632-2	C = 1 200 mm / 1500 mm
	325118-1	=	C = 1 800 mm
11	325280-1	=	B = 440 mm
	325280-6	=	B = 560 mm
12	325191-1	=	B = 440 mm
	325191-2	=	B = 560 mm
13	325064-1	=	B = 440 mm
	325064-2	=	B = 560 mm
14	325290-1	=	





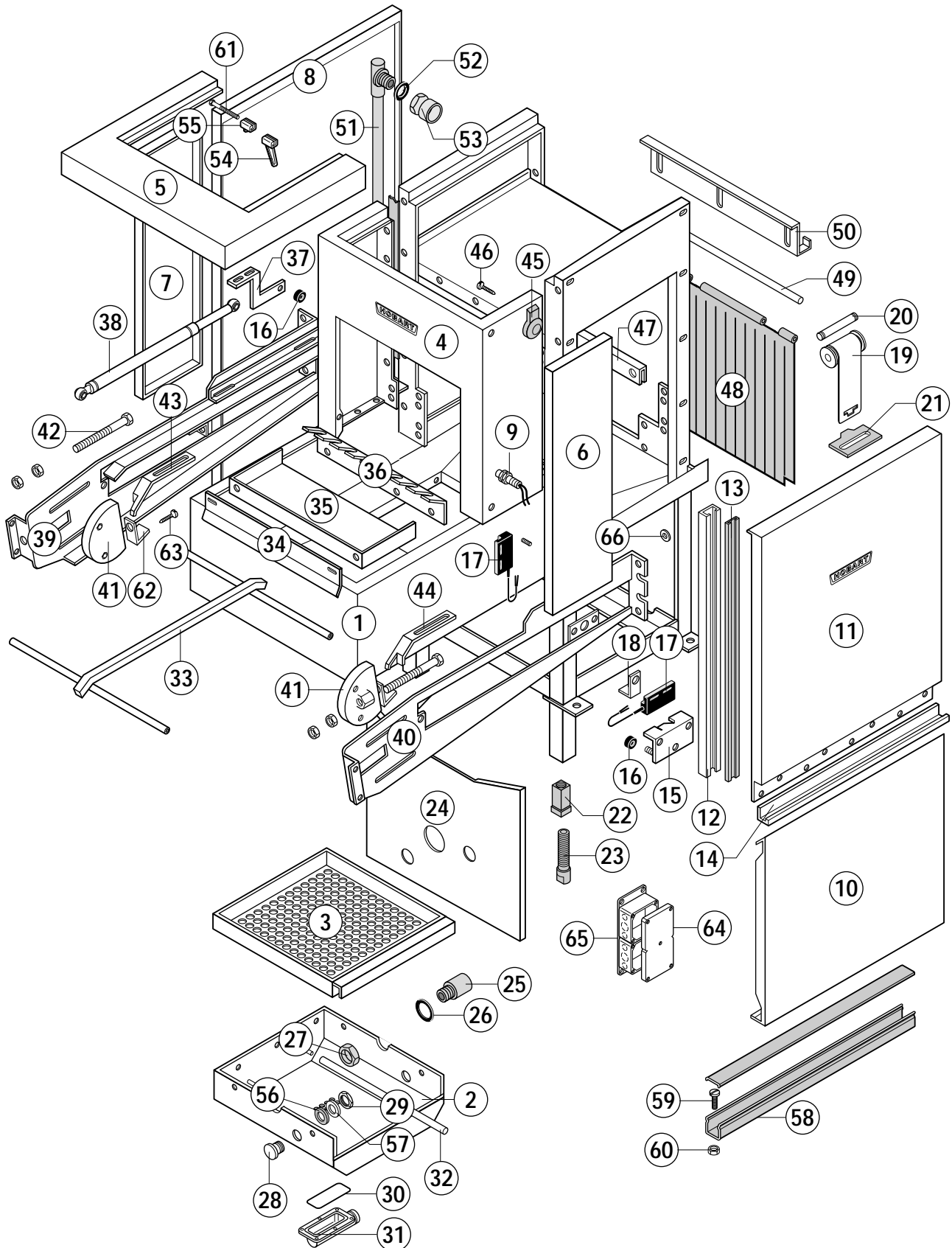


**A** conveyor width  
largeur du convoyeur  
Bandbreite  
bandbreedte

**B** usable height  
hauteur de passage  
Durchlaufhöhe  
doorvoerhoogte

**C** Entry length  
Longueur de entrée  
Zulauflänge  
Toevoerlengte

Pos.	L/R G/D	R/L D/G	Specifications / Spécification / Angaben / Opgaven
15	774501-1	=	
16	325673-1	=	
17	229517	=	
18	774795-1	=	
19	774749-1	=	B = 440 mm
	774749-6	=	B = 560 mm
20	774495-1	=	
21	774499-1	=	
22	325008-1	=	
23	325007-1	=	
24	325851-2	325851-1	C = 1 200 mm / C = 1 500 mm
	325986-2	325986-1	C = 1 800 mm
25	774616-1	=	
26	172986-28	=	
27	172739-8	=	
28	775034-1	=	
29	172739-2	=	
30	276903-35	=	
31	325529-1	=	
32	325430-1	=	A = 612 mm
	325430-2	=	A = 806 mm
33	325273-6	=	A = 612 mm / C = 1 200 mm
	325273-2	=	A = 612 mm / C = 1 500 mm
	325273-4	=	A = 612 mm / C = 1 800 mm
	325273-12	=	A = 806 mm / C = 1 200 mm
	325273-8	=	A = 806 mm / C = 1 500 mm
	325273-10	=	A = 806 mm / C = 1 800 mm
34	325631-1	=	A = 612 mm
	325631-2	=	A = 806 mm
35	325956-1	=	A = 612 mm
	325956-2	=	A = 806 mm
36	325104-1	=	A = 612 mm (conveyor / convoyeur / Transportband 325 709-1)
	325693-1	=	A = 806 mm (conveyor / convoyeur / Transportband 325 733-1)
	325213-1	=	A = 612 mm (conveyor / convoyeur / Transportband 325 237-1)
	325686-1	=	A = 806 mm (conveyor / convoyeur / Transportband 325 751-1)
	774924-1	=	A = 612 mm (conveyor / convoyeur / Transportband 325 367-1)
	325983-1	=	A = 806 mm (conveyor / convoyeur / Transportband 325 735-1)
	774853-1	=	A = 612 mm (conveyor / convoyeur / Transportband 325 718-1)
	325973-1	=	A = 806 mm (conveyor / convoyeur / Transportband 325 736-1)
37	325817-1	325817-2	
38	774756-1	=	
39	325419-5	325418-6	C = 1 200 mm
	325419-1	325418-2	C = 1 500 mm
	325419-3	325418-4	C = 1 800 mm
40	325418-5	325419-6	C = 1 200 mm
	325418-1	325419-2	C = 1 500 mm
	325418-3	325419-4	C = 1 800 mm
41	774519-1	=	
42	604059	=	
43	774553-2	=	





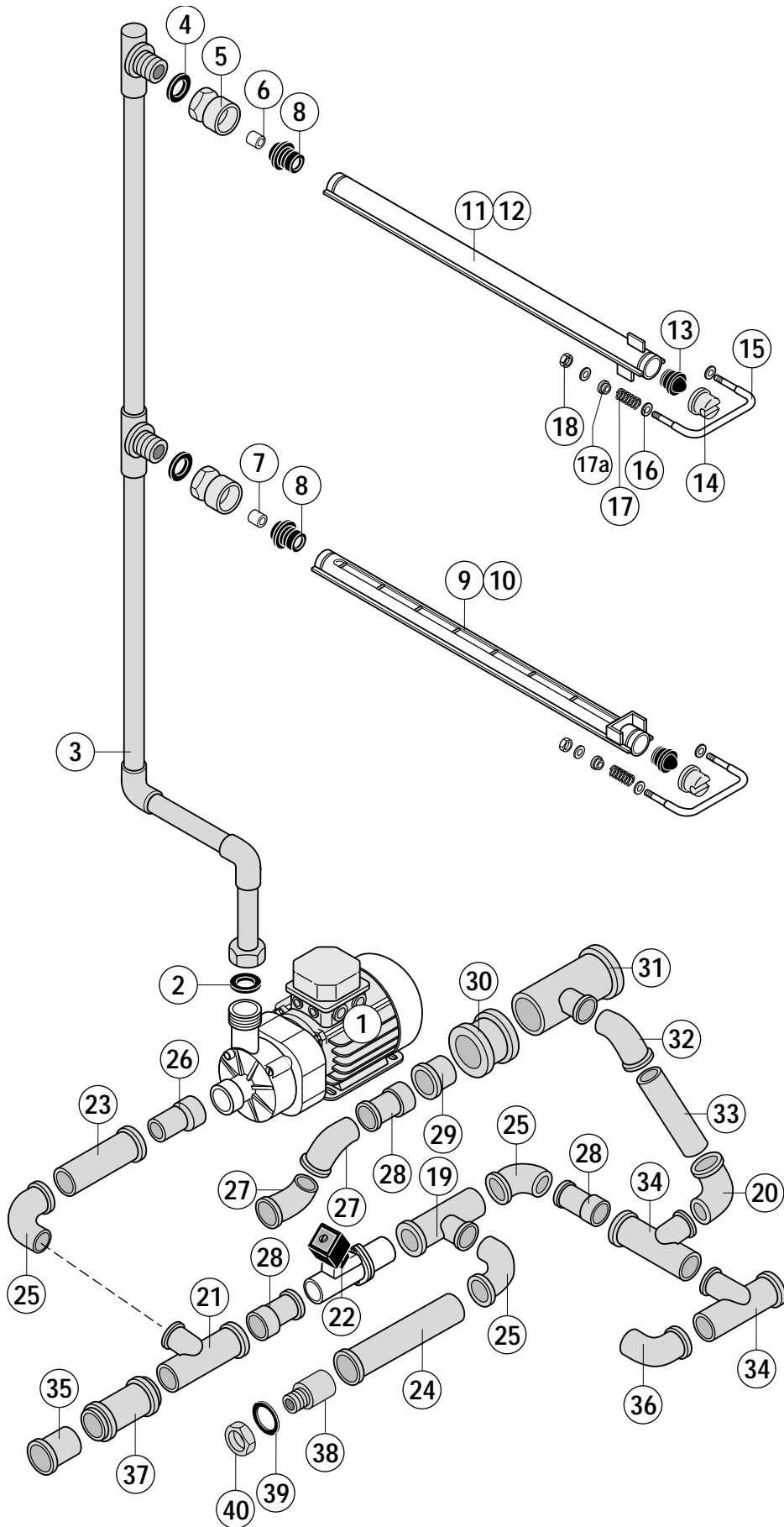
**A** conveyor width  
 largeur du convoyeur  
 Bandbreite  
 bandbreedte

**B** usable height  
 hauteur de passage  
 Durchlaufhöhe  
 doorvoerhoogte

**C** Entry length  
 Longueur de entrée  
 Zulauflänge  
 Toevoerlengte

Pos.	L/R G/D	R/L D/G	Specifications / Spécification / Angaben / Opgaven
44	774553-1	=	
45	325037-1	=	
46	600526	=	B 4,8 x 9,5
47	325155-1	=	A = 612 mm
	325155-2	=	A = 806 mm
48	325346-8	=	A = 612 mm / B = 440 mm
	325346-7	=	A = 806 mm / B = 440 mm
	325346-5	=	A = 612 mm / B = 560 mm
	325346-6	=	A = 806 mm / B = 560 mm
49	325360-2	=	A = 612 mm
	325360-3	=	A = 806 mm
50	325232-1	=	A = 612 mm
	325232-2	=	A = 806 mm
51	774871-1	774870-1	A = 612 mm / B = 440 mm
	774871-2	774870-2	A = 806 mm / B = 440 mm
	774871-3	774870-3	A = 612 mm / B = 560 mm
	774871-4	774870-4	A = 806 mm / B = 560 mm
52	172986-27	=	
53	774649-1	=	
54	325477-1	=	
55	774641-1	=	
56	172986-4	=	
57	696936-14	=	
58	325226-1	=	
59	602569	=	
60	602502	=	
61	600656	=	
62	325517-1	=	
63	603335	=	
64	774642-1	=	
65	325023-1	=	
66	378755	=	

3 – E prewash (new version) / E prélavage (version nouveau) / E Vorwaschung (neue Version) / E voorwassing (nieuwe versie)



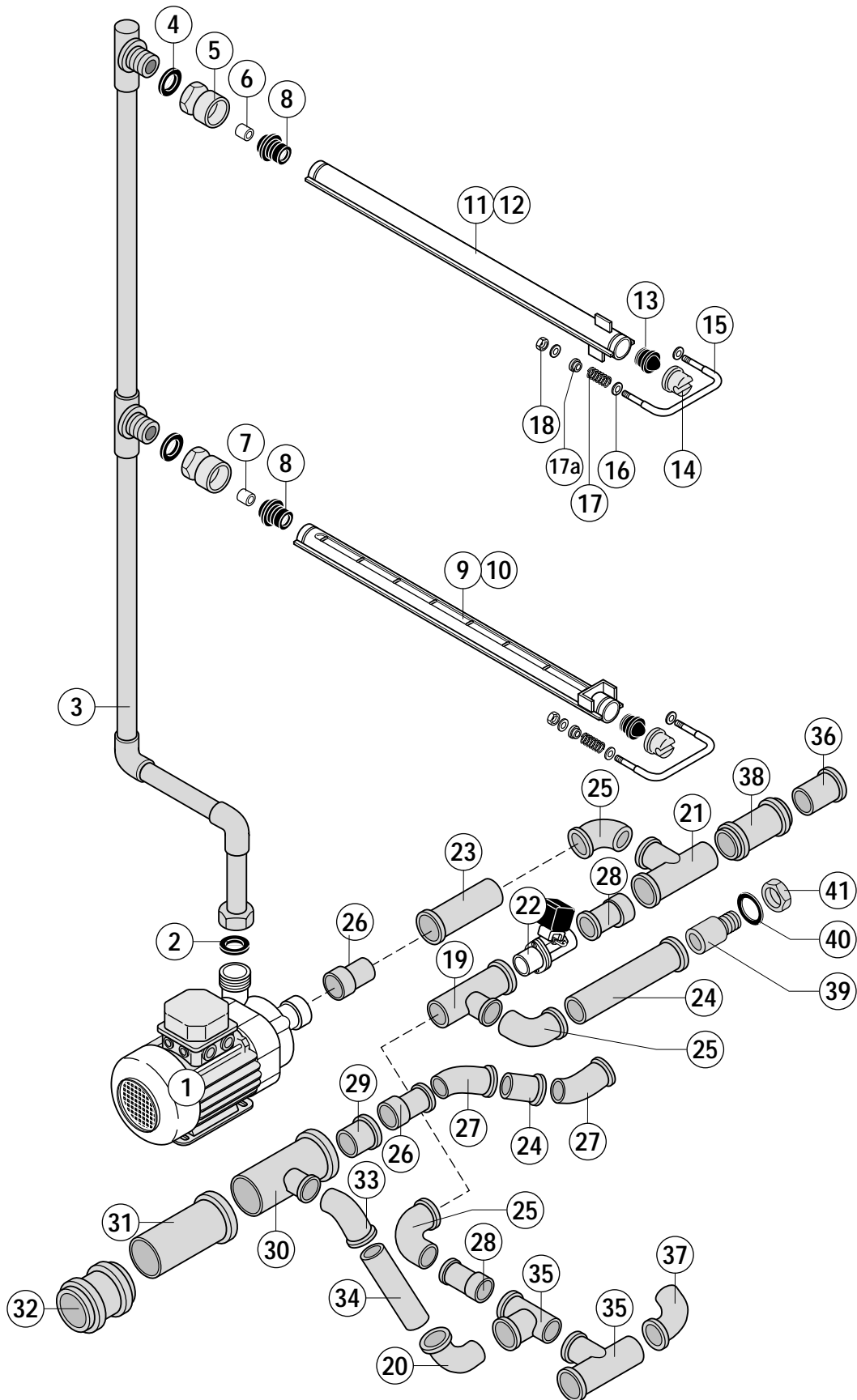


**A** conveyor width  
largeur du convoyeur  
Bandbreite  
bandbreedte

**B** usable height  
hauteur de passage  
Durchlaufhöhe  
doorvoerhoogte

**C** Entry length  
Longueur de entrée  
Zulauflänge  
Toevoerlengte

Pos.	L/R G/D	R/L D/G	Specifications / Spécification / Angaben / Opgaven
01	774908-1		
02	67500-72		
03	774871-1		A = 612 mm / B = 440 mm
	774871-1		A = 806 mm / B = 440 mm
	774871-3		A = 612 mm / B = 560 mm
	774871-3		A = 806 mm / B = 560 mm
04	172986-27		
05	774649-1		
06	493414		Ø 11,8
07	325501-3		Ø 10
08	325308-1		
09	325327-1		A = 612 mm
	325327-2		A = 806 mm
10	325577-1		A = 612 mm (including / comprend / beinhaltet / inclusief 7, 8)
	325577-2		A = 806 mm (including / comprend / beinhaltet / inclusief 6, 8)
11	325327-3		A = 612 mm
	325327-4		A = 806 mm
12	325577-3		A = 612 mm (including / comprend / beinhaltet / inclusief 6, 8)
	325577-4		A = 806 mm (including / comprend / beinhaltet / inclusief 6, 8)
13	784304-1		
14	774692-1		
15	774703-1		
16	602283		
17	774697-1		
17a	775208-1		
18	602507		
19	323593-1		
20	377340-1		
21	323593-2		
22	774683-1		
23	600575		
24	325706-8		
25	692281-2		
26	323594-1		
27	230080-3		
28	325708-1		
29	692282-1		
30	692283-1		
31	323593-4		
32	377341-1		
33	325737-1		
34	323593-3		
35	229679-11		
36	230080-1		
37	229680-1		
38	774616-1		
39	172986-28		
40	172739-8		



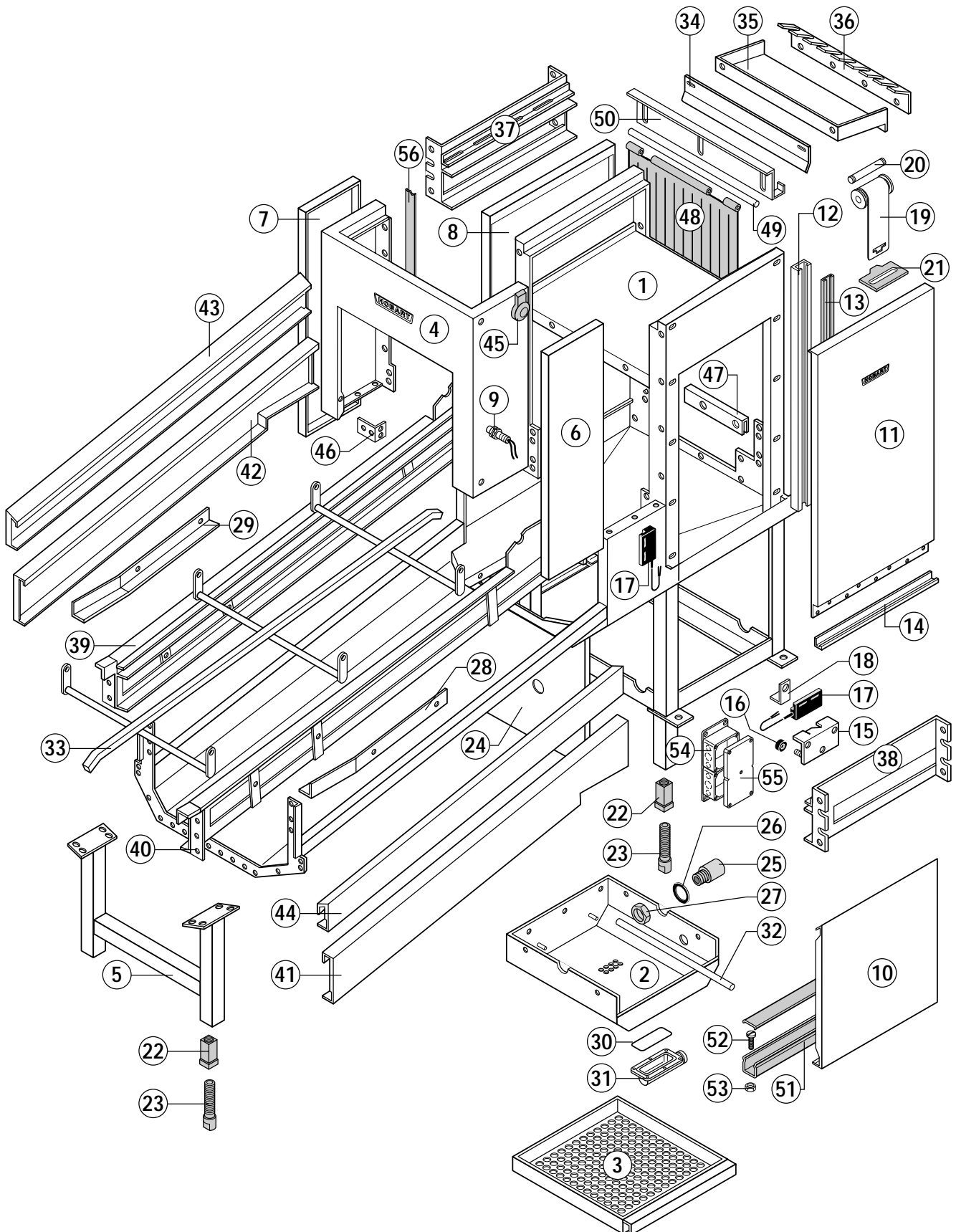


**A** conveyor width  
largeur du convoyeur  
Bandbreite  
bandbreedte

**B** usable height  
hauteur de passage  
Durchlaufhöhe  
doorvoerhoogte

**C** Entry length  
Longueur de entrée  
Zulauflänge  
Toevoerlengte

Pos.	L/R G/D	R/L D/G	Specifications / Spécification / Angaben / Opgaven
01		774908-1	
02		67500-72	
03		774870-1	A = 612 mm / B = 440 mm
		774870-1	A = 806 mm / B = 440 mm
		774870-3	A = 612 mm / B = 560 mm
		774870-3	A = 806 mm / B = 560 mm
04		172986-27	
05		774649-1	
06	493414		Ø 11,8
07	325501-3		Ø 10
08		325308-1	
09		325327-1	A = 612 mm
		325327-2	A = 806 mm
10		325577-1	A = 612 mm (including / comprend / beinhaltet / inclusief 7, 8)
		325577-2	A = 806 mm (including / comprend / beinhaltet / inclusief 6, 8)
11		325327-3	A = 612 mm
		325327-4	A = 806 mm
12		325577-3	A = 612 mm (including / comprend / beinhaltet / inclusief 6, 8)
		325577-4	A = 806 mm (including / comprend / beinhaltet / inclusief 6, 8)
13		784304-1	
14		774692-1	
15		774703-1	
16		602283	
17		774697-1	
17a		775208-1	
18		602507	
19		323593-1	
20		774809-1	
21		325706-7	
22		774683-1	
23		600575	
24		325706-8	
25		692281-2	
26		323594-1	
27		230080-3	
28		325708-1	
29		692282-1	
30		323593-4	
31		692284-2	
32		692283-1	
33		377340-1	
34		325737-1	
35		323593-3	
36		229679-12	
37		230080-1	
38		229680-1	
39		774616-1	
40		172986-28	
41		172739-8	







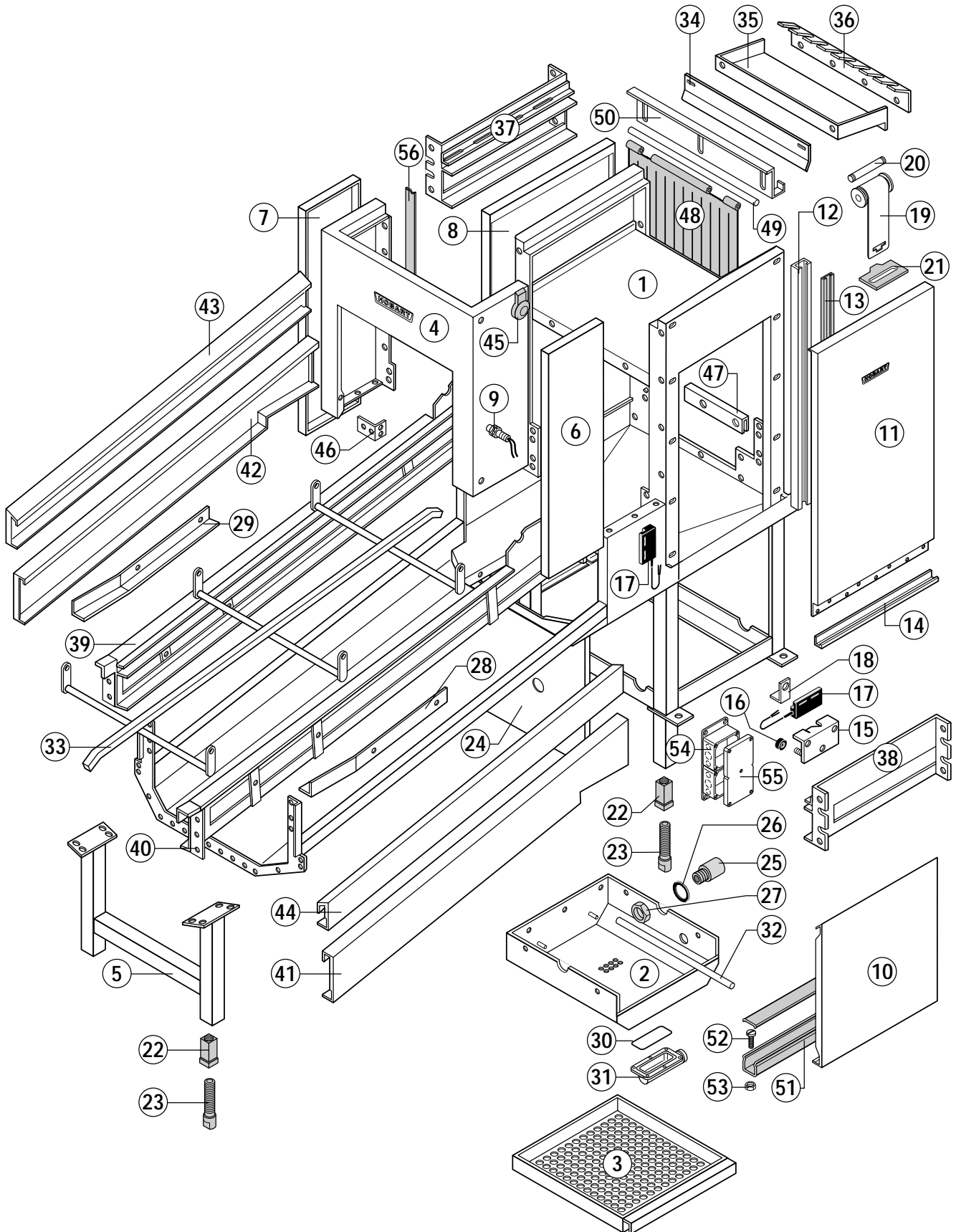
**A** conveyor width  
largeur du convoyeur  
Bandbreite  
bandbreedte

**B** usable height  
hauteur de passage  
Durchlaufhöhe  
doorvoerhoogte

**C** Entry length  
Longueur de entrée  
Zulauflänge  
Toevoerlengte

Pos.	L/R G/D	R/L D/G	Specifications / Spécification / Angaben / Opgaven
01	736535-1	736534-1	A = 612 mm / B = 440 mm
	-	-	A = 612 mm / B = 560 mm
	736535-2	736534-2	A = 806 mm / B = 440 mm
	-	-	A = 806 mm / B = 560 mm
02	774538-1	=	A = 612 mm
	774538-2	=	A = 806 mm
03	325844-1	=	A = 612 mm
	325844-2	=	A = 806 mm
04	325743-1	=	A = 612 mm / B = 440 mm
	325743-3	=	A = 612 mm / B = 560 mm
	325743-2	=	A = 806 mm / B = 440 mm
	325743-4	=	A = 806 mm / B = 560 mm
05	736518-1	=	A = 612 mm
	736518-2	=	A = 806 mm
06	736536-1	736536-2	B = 440 mm
	-	-	B = 560 mm
07	736536-3	=	B = 440 mm
	-	-	B = 560 mm
08	325288-5	=	B = 440 mm
	-	-	B = 560 mm
09	325752-1	=	LT-G-5 (transmitter / émetteur / Sender / zender)
	325754-1	=	LR-G-5 (receptor / recepteur / Empfänger / ontvanger)
10	325632-1	325632-2	
11	325280-1	=	B = 440 mm
	325280-6	=	B = 560 mm
12	325191-1	=	B = 440 mm
	325191-2	=	B = 560 mm
13	325064-1	=	B = 440 mm
	325064-2	=	B = 560 mm
14	325290-1	=	
15	774501-1	=	
16	325673-1	=	
17	229517	=	
18	774795-1	=	
19	774749-1	=	B = 440 mm
	774749-	=	B = 560 mm
20	774495-1	=	
21	774499-1	=	
22	325008-1	=	
23	325007-1	=	
24	781643-2	781643-1	A = 612 mm
	781643-4	781643-3	A = 806 mm
25	774616-1	=	
26	172986-28	=	
27	172739-8	=	
28	736530-1	736530-2	
29	736530-2	736530-1	
30	276903-35	=	

3.2 – E prewash (with lowered entry section) / E pré lavage (avec chargement bas) / E Vorwaschung (mit abgesenkter Zulaufstrecke) / E voorwassing (met verlaagde toevoersectie)





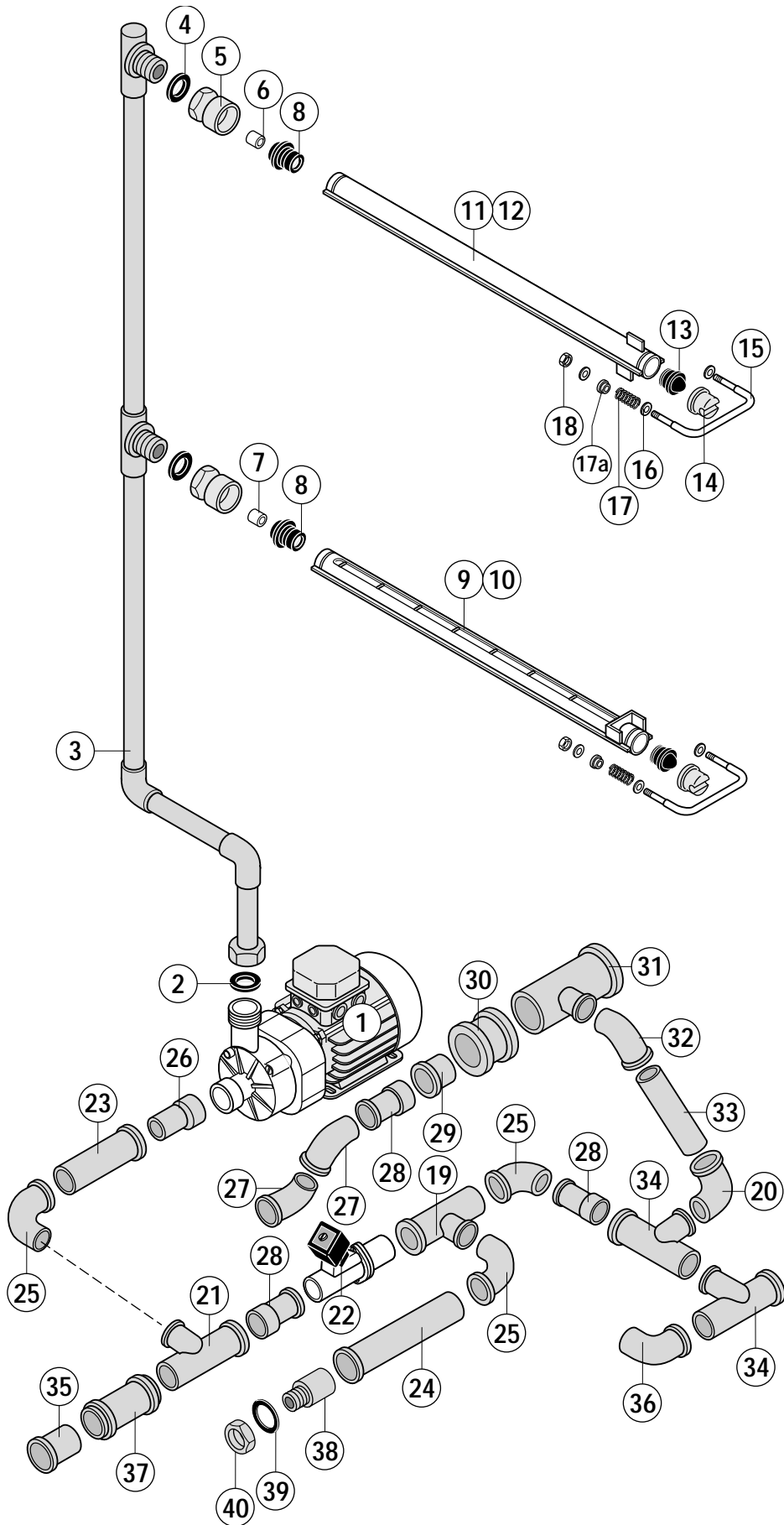
**A** conveyor width  
largeur du convoyeur  
Bandbreite  
bandbreedte

**B** usable height  
hauteur de passage  
Durchlaufhöhe  
doorvoerhoogte

**C** Entry length  
Longuer de entrée  
Zulauflänge  
Toevoerlengte

Pos.	L/R G/D	R/L D/G	Specifications / Spécification / Angaben / Opgaven
31	325529-1	=	
32	325430-1	=	A = 612 mm
	325430-2	=	A = 806 mm
33	736532-1	=	A = 612 mm
	736532-3	=	A = 806 mm
34	325631-1	=	A = 612 mm
	325631-2	=	A = 806 mm
35	325956-1	=	A = 612 mm
	325956-2	=	A = 806 mm
36	325027-11	325027-12	
37	325027-9	325027-10	
38	736521-1	736523-1	
39	736523-1	736521-1	
40	736513-1	736513-2	
41	736513-2	736513-1	
42	736529-1	736529-2	
43	736529-2	736529-1	
44	325037-1	=	
45	731510-8	=	
46	325155-1	=	A = 612 mm
	325155-2	=	A = 806 mm
47	325346-4	=	A = 612 mm
	325346-3	=	A = 806 mm
48	325360-4	=	A = 612 mm
	325360-3	=	A = 806 mm
49	325232-1	=	A = 612 mm
	325232-2	=	A = 806 mm
50	325226-1	=	
51	602569	=	
52	602502	=	
53	325023-1	=	
54	774642-1	=	
55	168834-1	=	

3.2 – E prewash (with lowered entry section) / E prélavage (avec chargement bas) / E Vorwaschung (mit abgesenkter Zulaufstrecke) / E voorwassing (met verlaagde toevoersectie)





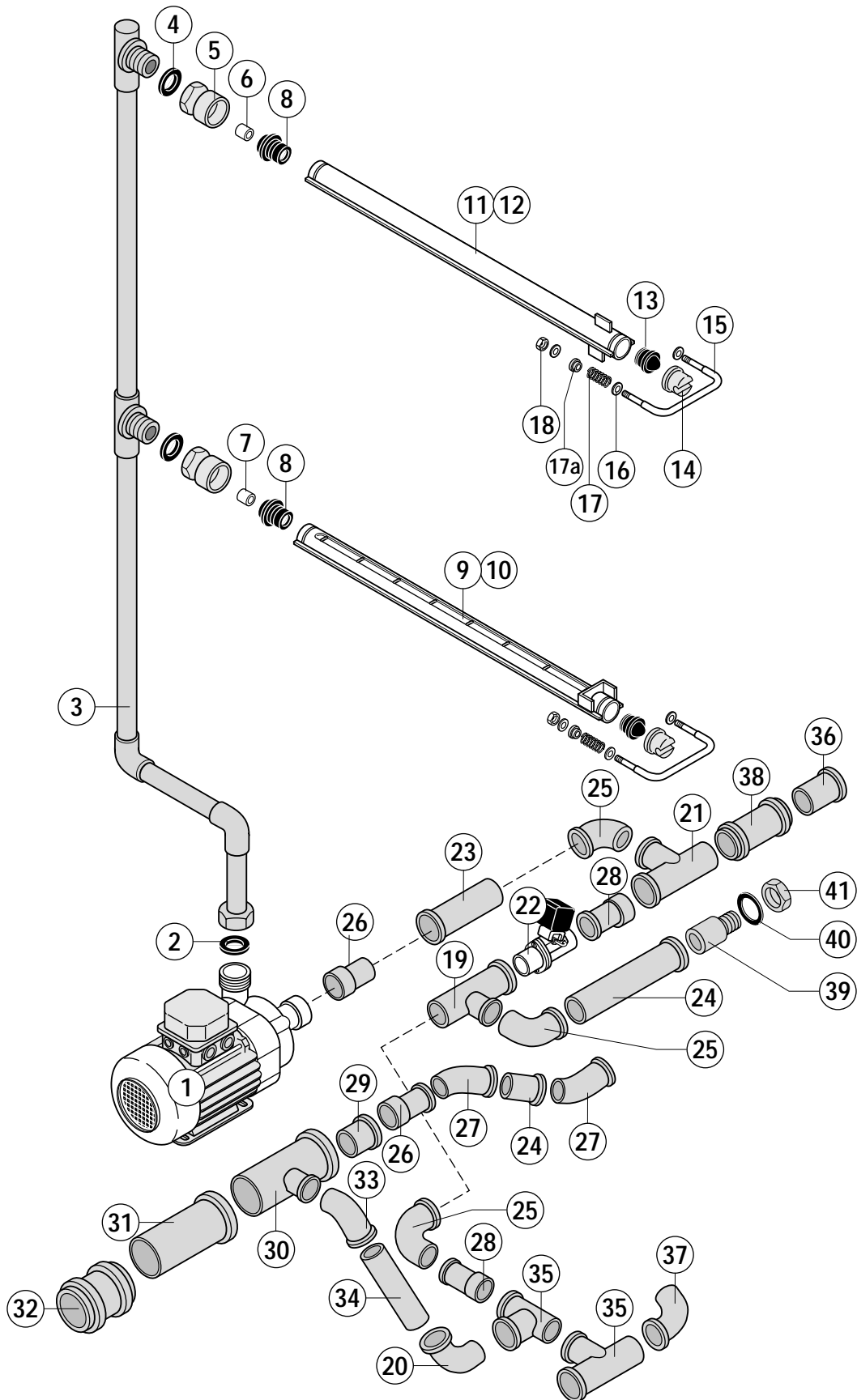
**A** conveyor width  
 largeur du convoyeur  
 Bandbreite  
 bandbreedte

**B** usable height  
 hauteur de passage  
 Durchlaufhöhe  
 doorvoerhoogte

**C** Entry length  
 Longeur de entrée  
 Zulauflänge  
 Toevoerlengte

Pos.	L/R G/D	R/L D/G	Specifications / Spécification / Angaben / Opgaven
01	774908-1		
02	67500-72		
03	774871-1		A = 612 mm / B = 440 mm
	774871-1		A = 806 mm / B = 440 mm
	774871-3		A = 612 mm / B = 560 mm
	774871-3		A = 806 mm / B = 560 mm
04	172986-27		
05	774649-1		
06	493414		Ø 11,8
07	325501-3		Ø 10
08	325308-1		
09	325327-1		A = 612 mm
	325327-2		A = 806 mm
10	325577-1		A = 612 mm (including / comprend / beinhaltet / inclusief 7, 8)
	325577-2		A = 806 mm (including / comprend / beinhaltet / inclusief 6, 8)
11	325327-3		A = 612 mm
	325327-4		A = 806 mm
12	325577-3		A = 612 mm (including / comprend / beinhaltet / inclusief 6, 8)
	325577-4		A = 806 mm (including / comprend / beinhaltet / inclusief 6, 8)
13	784304-1		
14	774692-1		
15	774703-1		
16	602283		
17	774697-1		
17a	775208-1		
18	602507		
19	323593-1		
20	377340-1		
21	323593-2		
22	774683-1		
23	600575		
24	325706-8		
25	692281-2		
26	323594-1		
27	230080-3		
28	325708-1		
29	692282-1		
30	692283-1		
31	323593-4		
32	377341-1		
33	325737-1		
34	323593-3		
35	229679-11		
36	230080-1		
37	229680-1		
38	774616-1		
39	172986-28		
40	172739-8		

3.2 – E prewash (with lowered entry section) / E prélavage (avec chargement bas) / E Vorwaschung (mit abgesenkter Zulaufstrecke) / E voorwassing (met verlaagde toevoersectie)





**A** conveyor width  
largeur du convoyeur  
Bandbreite  
bandbreedte

**B** usable height  
hauteur de passage  
Durchlaufhöhe  
doorvoerhoogte

**C** Entry length  
Longueur de entrée  
Zulauflänge  
Toevoerlengte

Pos.	L/R G/D	R/L D/G	Specifications / Spécification / Angaben / Opgaven
01		774908-1	
02		67500-72	
03		774870-1	A = 612 mm / B = 440 mm
		774870-1	A = 806 mm / B = 440 mm
		774870-3	A = 612 mm / B = 560 mm
		774870-3	A = 806 mm / B = 560 mm
04		172986-27	
05		774649-1	
06	493414		Ø 11,8
07	325501-3		Ø 10
08		325308-1	
09		325327-1	A = 612 mm
		325327-2	A = 806 mm
10		325577-1	A = 612 mm (including / comprend / beinhaltet / inclusief 7, 8)
		325577-2	A = 806 mm (including / comprend / beinhaltet / inclusief 6, 8)
11		325327-3	A = 612 mm
		325327-4	A = 806 mm
12		325577-3	A = 612 mm (including / comprend / beinhaltet / inclusief 6, 8)
		325577-4	A = 806 mm (including / comprend / beinhaltet / inclusief 6, 8)
13		784304-1	
14		774692-1	
15		774703-1	
16		602283	
17		774697-1	
17a		775208-1	
18		602507	
19		323593-1	
20		774809-1	
21		325706-7	
22		774683-1	
23		600575	
24		325706-8	
25		692281-2	
26		323594-1	
27		230080-3	
28		325708-1	
29		692282-1	
30		323593-4	
31		692284-2	
32		692283-1	
33		377340-1	
34		325737-1	
35		323593-3	
36		229679-12	
37		230080-1	
38		229680-1	
39		774616-1	
40		172986-28	
41		172739-8	

3.2 – E prewash (with lowered entry section) / E prélavage (avec chargement bas) / E Vorwaschung (mit abgesenkter Zulaufstrecke) / E voorwassing (met verlaagde toevoersectie)

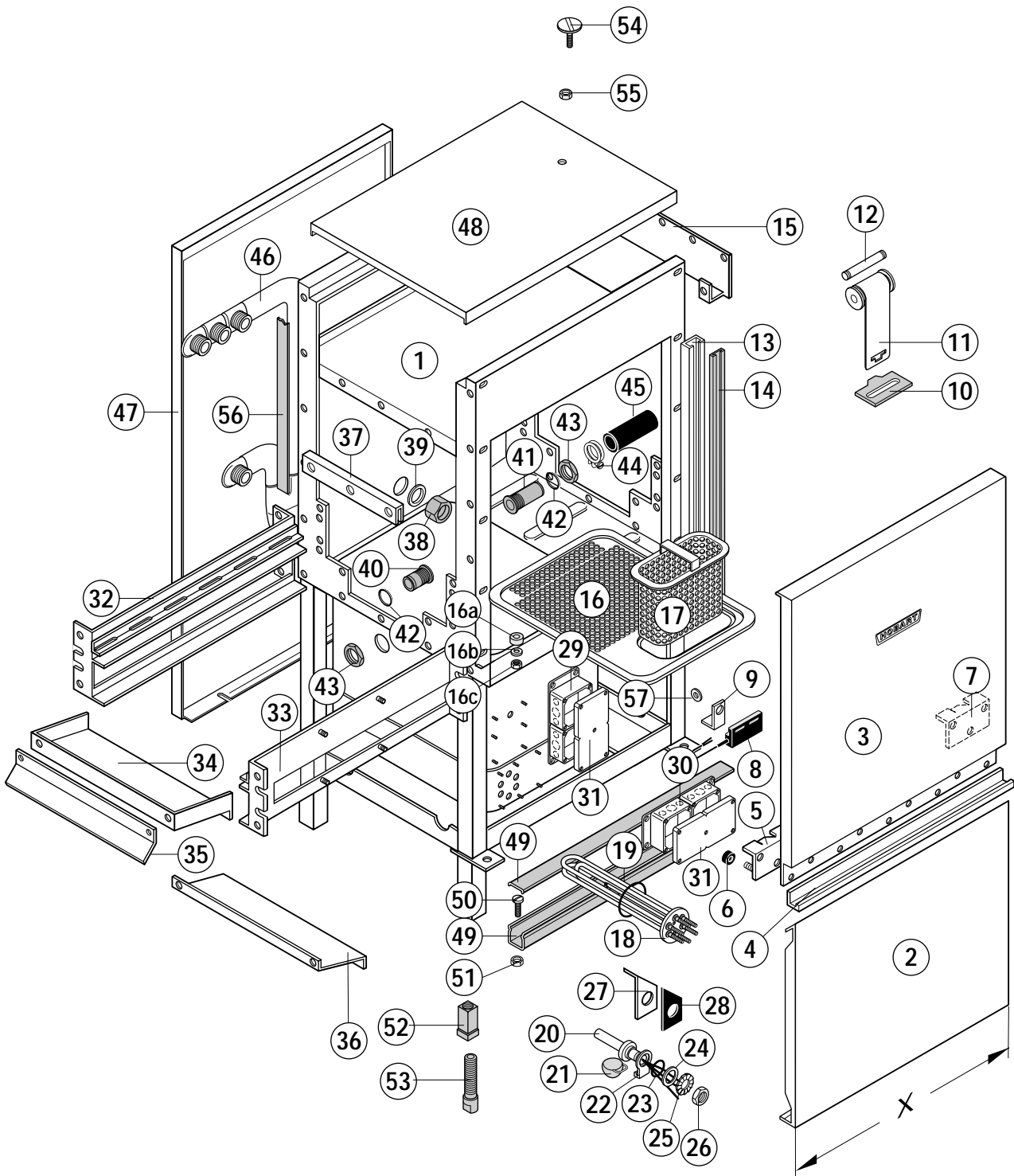


**A** conveyor width  
 largeur du convoyeur  
 Bandbreite  
 bandbreedte

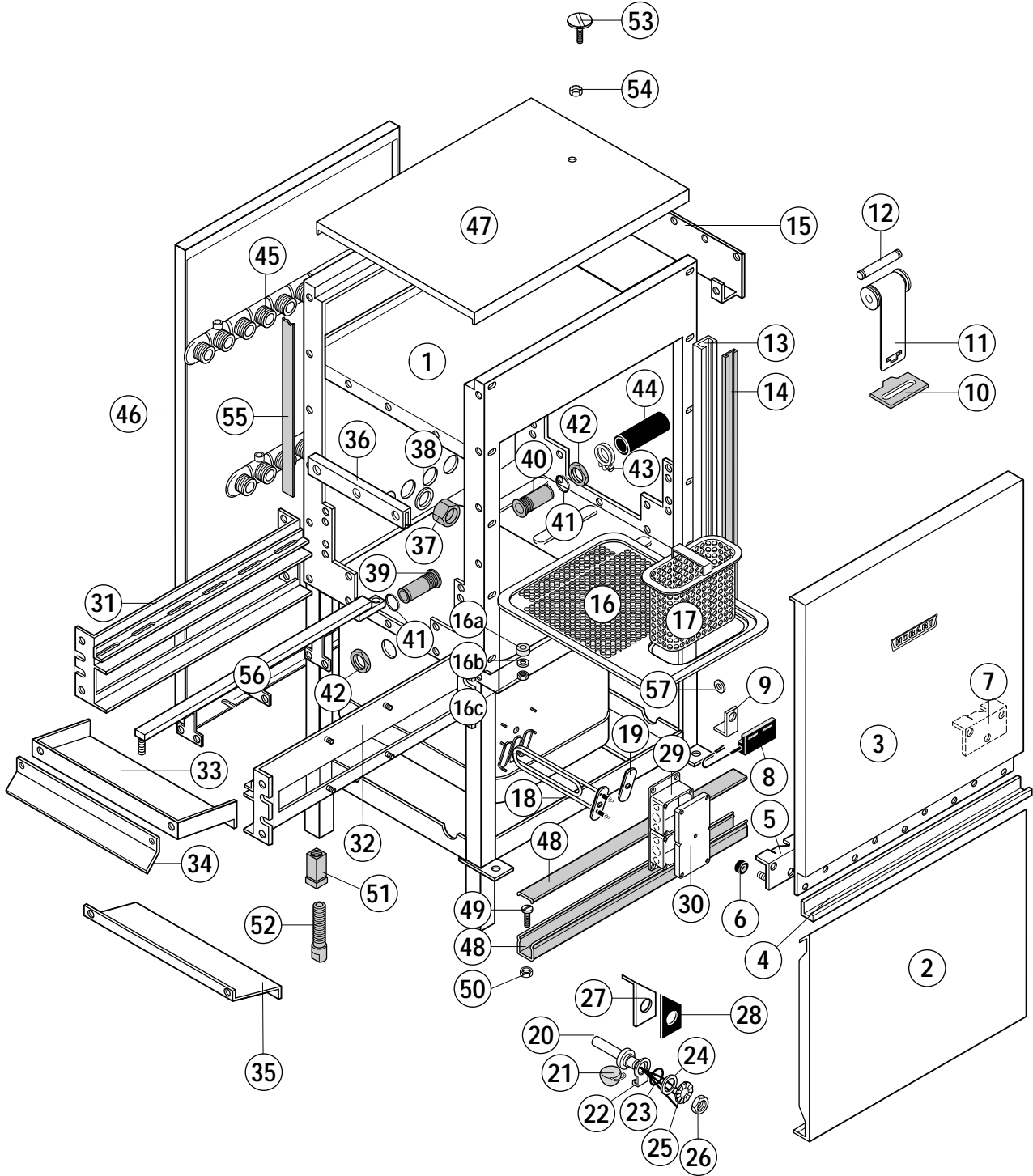
**B** usable height  
 hauteur de passage  
 Durchlaufhöhe  
 doorvoerhoogte

Pos.	L/R G/D	R/L D/G	Specifications / Spécification / Angaben / Opgaven
01	325395-1	325931-1	
02	325118-14	=	X = 2 050 mm
	325118-15	=	X = 1 550 mm
	325366-3	325366-8	X = 1 550 mm (only with entry section 1 / seulement avec zone de entrée 1 / nur mit Zulauf 1 / alleen met toevoersectie 1)
	325366-5	325366-10	X = 2 050 mm (only with entry section 1 / seulement avec zone de entrée 1 / nur mit Zulauf 1 / alleen met toevoersectie 1)
03	325280-2	=	
04	325290-2	=	
05	774501-1	=	
06	325673-1	=	
07	774503-1	=	
08	229517	=	
09	774795-1	=	
10	774499-1	=	
11	774749-4	=	
12	774495-1	=	
13	325191-1	=	
14	325064-1	=	
15	325232-1	=	
16	325731-1	=	
16a	326025-1	=	A = 612 mm
16b	603362	=	A = 612 mm A 6,4
16c	602502	=	A = 612 mm M 6
17	325317-1	=	
18	323949-...	=	see wiring diagramme / voir schéma de cablage / siehe Schaltplan / zie elektrisch schema
19	67500-118	=	
20	229519	=	
21	122674	=	
22	112467	=	
23	67500-72	=	
24	602292	=	
25	602316	=	
26	602476	=	
27	229190	=	
28	300600	=	
29	325023-2	=	
30	325023-1	=	
31	774642-1	=	
32	325027-8	325027-7	
33	325397-1	325397-2	
34	325630-1	=	
35	325631-1	=	
36	325627-1	=	
37	325155-1	=	
38	774522-1	=	
39	172986-26	=	
40	774645-2	=	







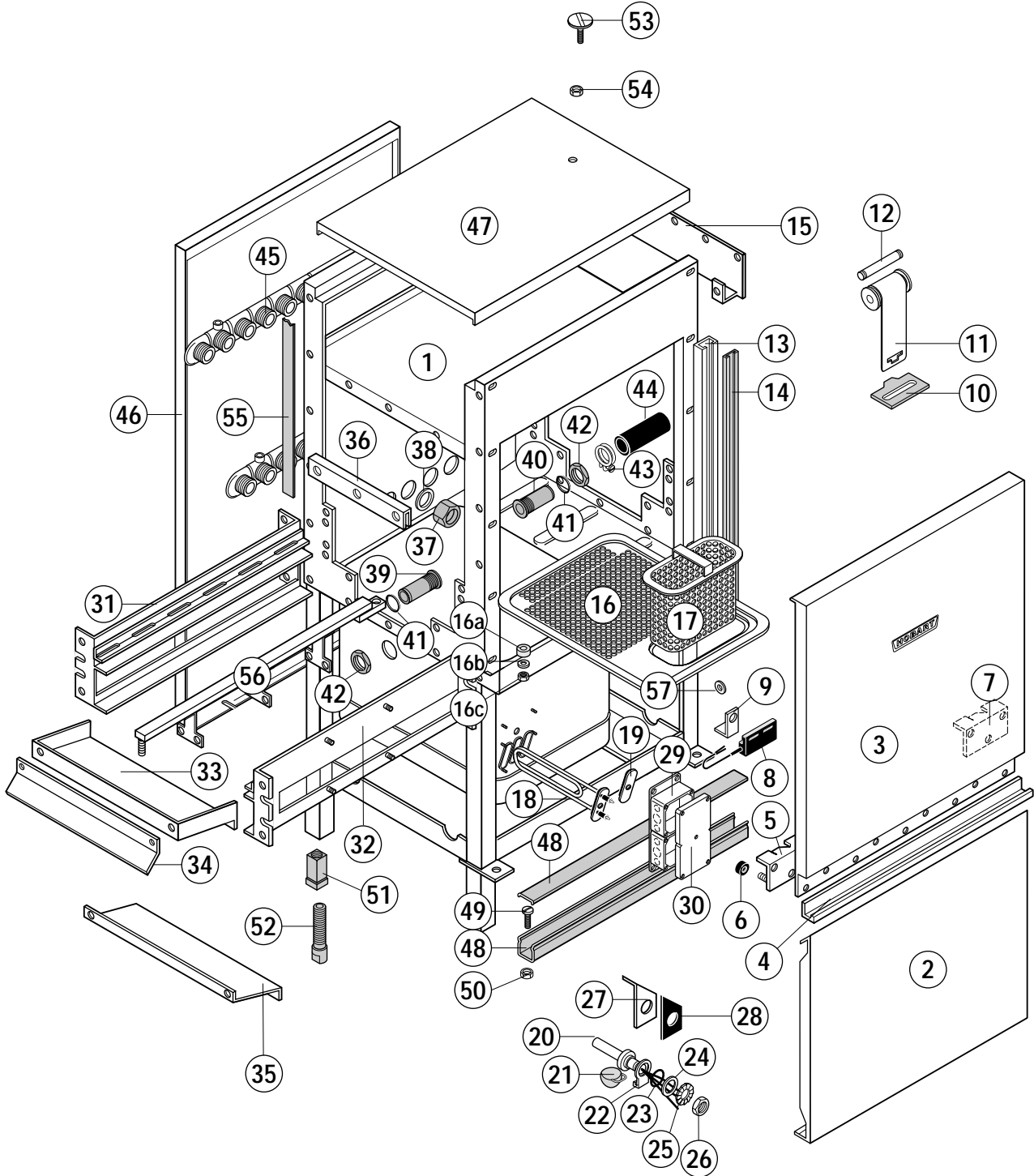




**A** conveyor width  
 largeur du convoyeur  
 Bandbreite  
 bandbreedte

**B** usable height  
 hauteur de passage  
 Durchlaufhöhe  
 doorvoerhoogte

Pos.	L/R G/D	R/L D/G	Specifications / Spécification / Angaben / Opgaven
01	325160-1	325151-1	A = 612 mm / B = 440 mm (electrical heated / chauffage électrique / elektrisch beheizt / elektrisch verwarming)
	325160-2	325151-2	A = 806 mm / B = 440 mm (electrical heated / chauffage électrique / elektrisch beheizt / elektrisch verwarming)
	325093-1	325088-1	A = 612 mm / B = 560 mm (electrical heated / chauffage électrique / elektrisch beheizt / elektrisch verwarming)
	325093-2	325088-2	A = 806 mm / B = 560 mm (electrical heated / chauffage électrique / elektrisch beheizt / elektrisch verwarming)
	774802-1	774803-1	A = 612 mm / B = 440 mm (steam heated / chauffage vapeur / dampfbeheizt / stoom verwarming)
	774802-2	774803-2	A = 806 mm / B = 440 mm (steam heated / chauffage vapeur / dampfbeheizt / stoom verwarming)
	325075-1	325090-1	A = 612 mm / B = 560 mm (steam heated / chauffage vapeur / dampfbeheizt / stoom verwarming)
	325075-2	325090-2	A = 806 mm / B = 560 mm (steam heated / chauffage vapeur / dampfbeheizt / stoom verwarming)
02	325118-5	=	
	325366-1	325366-6	(only with entry section 1 & without prewash / seulement avec zone de entrée 1 & sans pré lavage / nur mit Zulauf 1 & ohne Vorwaschung / alleen met toevoersectie 1 & zonder vorwasing)
03	325280-4	=	B = 440 mm
	325280-9	=	B = 560 mm
04	325290-4	=	
05	774501-1	=	
06	325673-1	=	
07	774503-1	=	
08	229517	=	
09	774795-1	=	
10	774499-1	=	
11	774749-2	=	B = 440 mm
	774749-7		B = 560 mm
12	774495-1	=	
13	325191-1	=	B = 440 mm
	325191-2	=	B = 560 mm
14	325064-1	=	B = 440 mm
	325064-2	=	B = 560 mm
15	325232-1	=	A = 612 mm
	325232-2	=	A = 806 mm
16	325373-1	=	A = 612 mm
	325061-1	=	A = 806 mm
16a	326025-1	=	A = 612 mm
16b	603362	=	A = 612 mm A 6,4
16c	602502	=	A = 612 mm M 6
17	325130-1	=	
18	324637-...	=	see wiring diagramme / voir schéma de cablage / siehe Schaltplan / zie elektrisch schema
	324644-...	=	
19	774808-1	=	
20	229519	=	
21	122674	=	
22	112467	=	

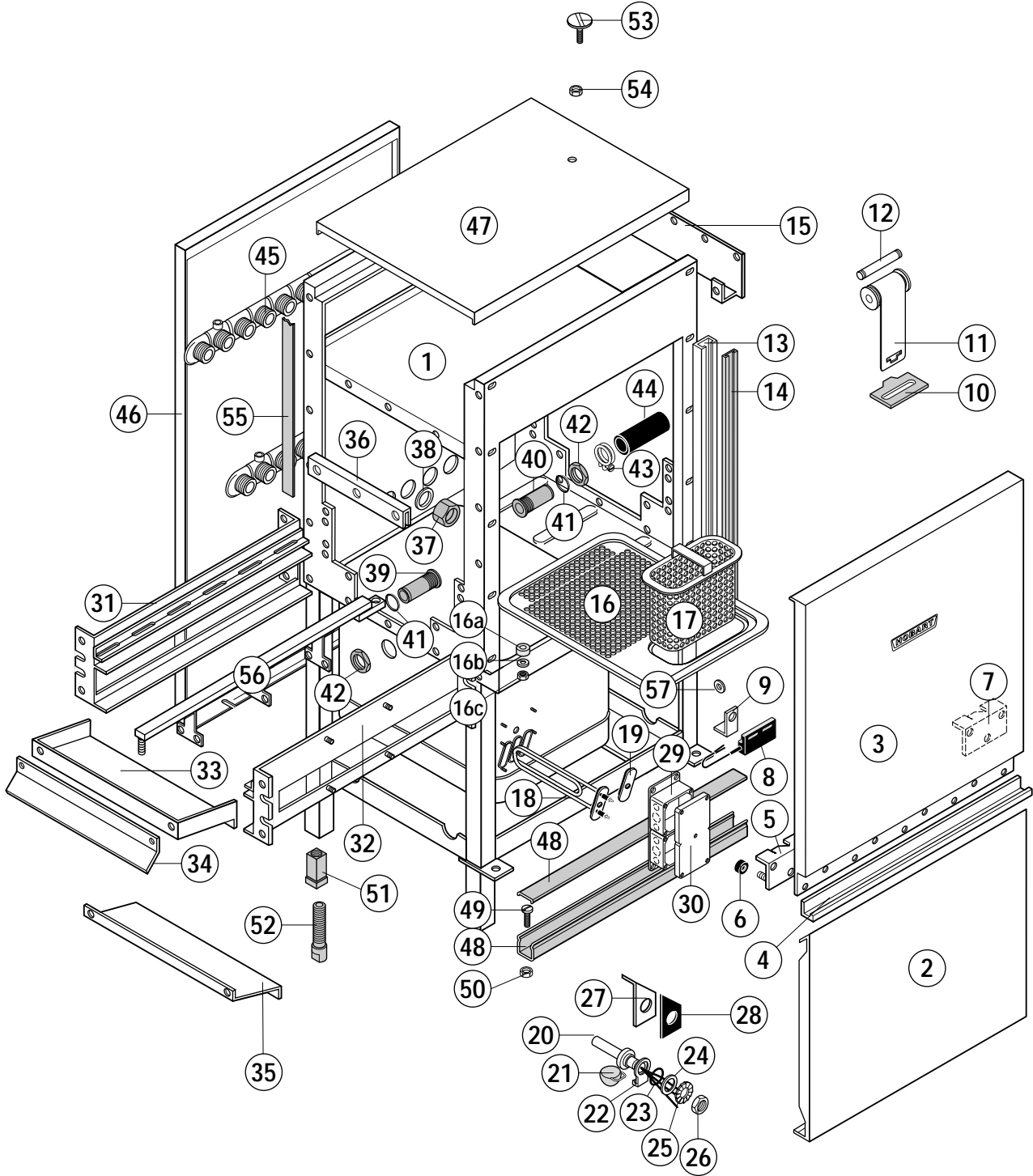




**A** conveyor width  
largeur du convoyeur  
Bandbreite  
bandbreedte

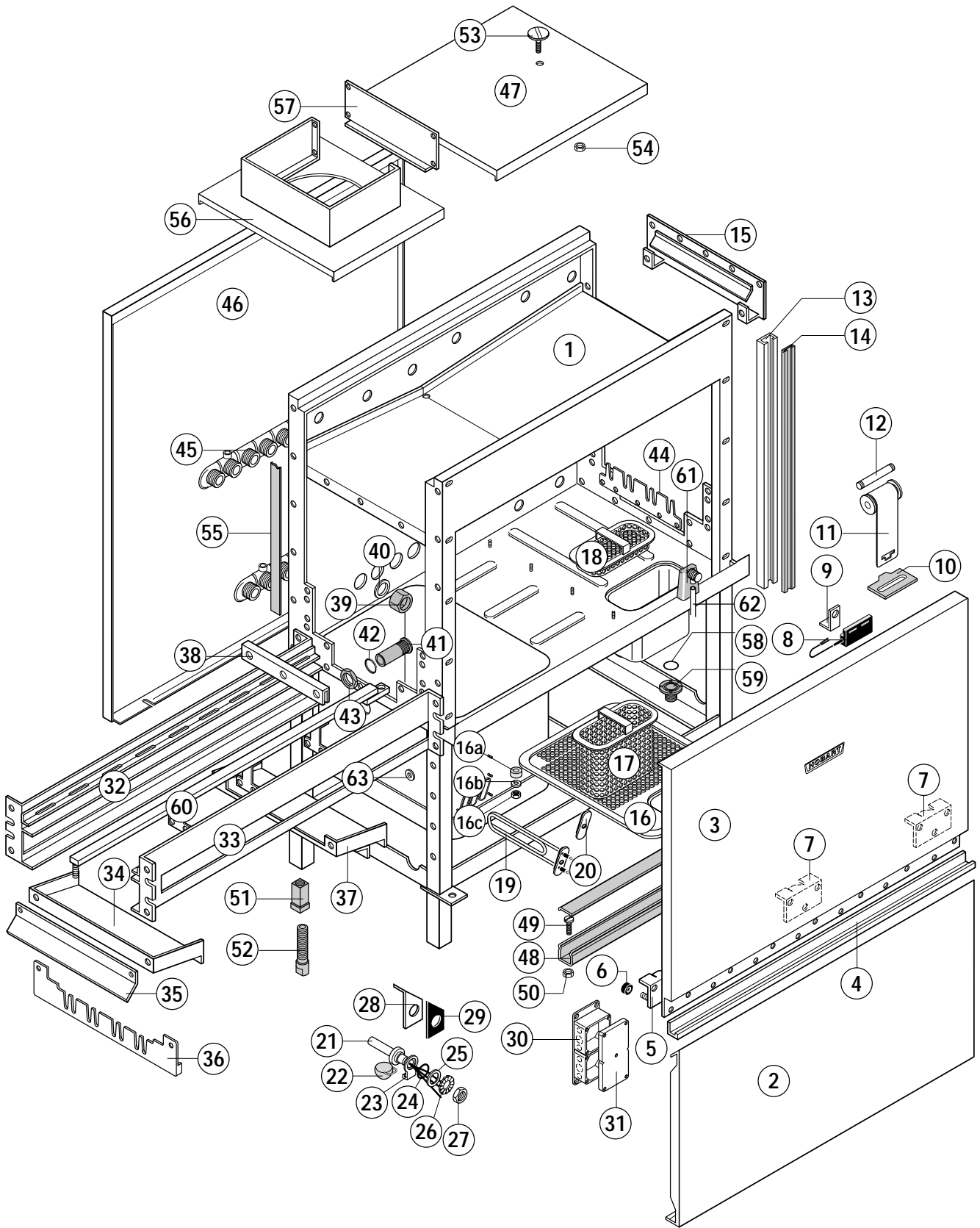
**B** usable height  
hauteur de passage  
Durchlaufhöhe  
doorvoerhoogte

Pos.	L/R G/D	R/L D/G	Specifications / Spécification / Angaben / Opgaven
23	67500-72	=	
24	602292	=	
25	602316	=	
26	602476	=	
27	229190	=	
28	300600	=	
29	325023-1	=	(steam & hot water heated / chauffage vapeur & eau chaude / Dampf- & Heißwasser beheizt / stoom & heet water verwarming)
	325023-2	=	(electrical heated / chauffage électrique / elektrisch beheizt / elektrisch verwarming)
30	774642-1	=	
31	325895-3	325895-4	B = 440 mm
	325895-10	325895-1	B = 560 mm
32	325528-3	325528-4	B = 440 mm
	325528-1	325528-2	B = 560 mm
33	325630-1	=	A = 612 mm / B = 440 mm
	325630-2	=	A = 806 mm / B = 440 mm
	325639-1	=	A = 612 mm / B = 560 mm
	325639-2	=	A = 806 mm / B = 560 mm
34	325631-1	=	A = 612 mm
	325631-2	=	A = 806 mm
35	325627-1	=	A = 612 mm
	325627-2	=	A = 806 mm
36	325155-1	=	A = 612 mm
	325155-2	=	A = 806 mm
37	774522-1	=	
38	172986-26	=	
39	774645-3	=	module / modul S
	774645-2	=	module / modul A
40	774645-1	=	
41	774651-1	=	
42	774650-1	=	
43	325437-85	=	
44	774950-1	=	
45	774502-1	774508-1	A = 612 mm / B = 440 mm (without side wash / sans lavage latéral / ohne seittl. Waschung / zonder zijdelingse wasing)
	774502-2	774508-2	A = 806 mm / B = 440 mm (without side wash / sans lavage latéral / ohne seittl. Waschung / zonder zijdelingse wasing)
	325720-3	325721-3	A = 612 mm / B = 560 mm (without side wash / sans lavage latéral / ohne seittl. Waschung / zonder zijdelingse wasing)
	325720-4	325721-4	A = 806 mm / B = 560 mm (without side wash / sans lavage latéral / ohne seittl. Waschung / zonder zijdelingse wasing)
	774925-1	774926-1	A = 612 mm / B = 440 mm (with side wash / avec lavage latéral / mit seittl. Waschung / met zijdelingse wasing)
	774925-2	774926-2	A = 806 mm / B = 440 mm (with side wash / avec lavage latéral / mit seittl. Waschung / met zijdelingse wasing)
	325656-3	325656-3	A = 612 mm / B = 560 mm (with side wash / avec lavage latéral / mit seittl. Waschung / met zijdelingse wasing)
	325656-4	325656-4	A = 806 mm / B = 560 mm (with side wash / avec lavage latéral / mit seittl. Waschung / met zijdelingse wasing)

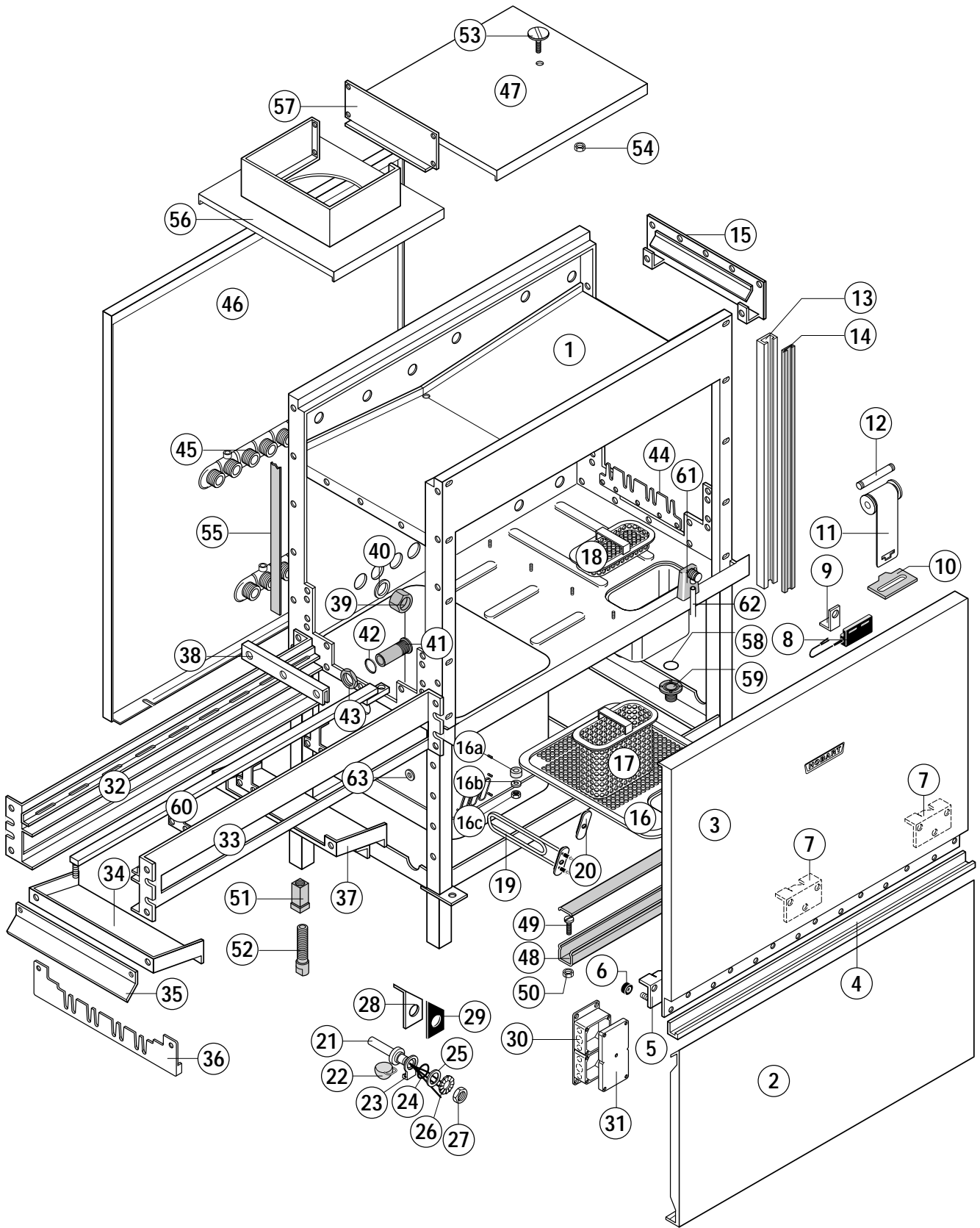








Pos.	L/R G/D	R/L D/G	Specifications / Spécification / Angaben / Opgaven
01	325515-1	325453-1	A = 612 mm / B = 440 mm (electrical heated / chauffage électrique / elektrisch beheizt / elektrisch verwarming)
	325515-2	325453-2	A = 806 mm / B = 440 mm (electrical heated / chauffage électrique / elektrisch beheizt / elektrisch verwarming)
	-	782330-1	A = 612 mm / B = 560 mm (electrical heated / chauffage électrique / elektrisch beheizt / elektrisch verwarming)
	-	782330-2	A = 806 mm / B = 560 mm (electrical heated / chauffage électrique / elektrisch beheizt / elektrisch verwarming)
	774935-1	774934-1	A = 612 mm / B = 440 mm (steam heated / chauffage vapeur / dampfbeheizt / stoom verwarming)
	774935-2	774934-2	A = 806 mm / B = 440 mm (steam heated / chauffage vapeur / dampfbeheizt / stoom verwarming)
	325276-1	325329-1	A = 612 mm / B = 560 mm (steam heated / chauffage vapeur / dampfbeheizt / stoom verwarming)
	325276-2	325329-2	A = 806 mm / B = 560 mm (steam heated / chauffage vapeur / dampfbeheizt / stoom verwarming)
02	325118-7	=	
	325366-2	325366-7	(only with entry section 1 & without prewash / seulement avec zone de entrée 1 & sans pré lavage / nur mit Zulauf 1 & ohne Vorwaschung / alleen met toevoersectie 1 & zonder vorwasing)
03	325280-5	=	B = 440 mm
	325280-10	=	B = 560 mm
04	325290-5	=	
05	774501-1	=	
06	325673-1	=	
07	774503-1	=	
08	229517	=	
09	774795-1	=	
10	774499-1	=	
11	774749-1	=	B = 440 mm (1x)
	774749-3	=	B = 440 mm (2x)
	774749-7		B = 560 mm (3x)
12	774495-1	=	
13	325191-1	=	B = 440 mm
	325191-2	=	B = 560 mm
14	325064-1	=	B = 440 mm
	325064-2	=	B = 560 mm
15	325359-1	325359-3	A = 612 mm
	325359-2	325359-4	A = 806 mm
16	325373-1	=	A = 612 mm
	325061-1	=	A = 806 mm
16a	326025-1	=	A = 612 mm
16b	603362	=	A = 612 mm A 6,4
16c	602502	=	A = 612 mm M 6
17	325130-1	=	
18	325074-1	=	
19	324637-...	=	see wiring diagramme / voir schéma de cablage / siehe Schaltplan / zie elektrisch schema
	324644-...	=	
20	774808-1	=	
21	229519	=	

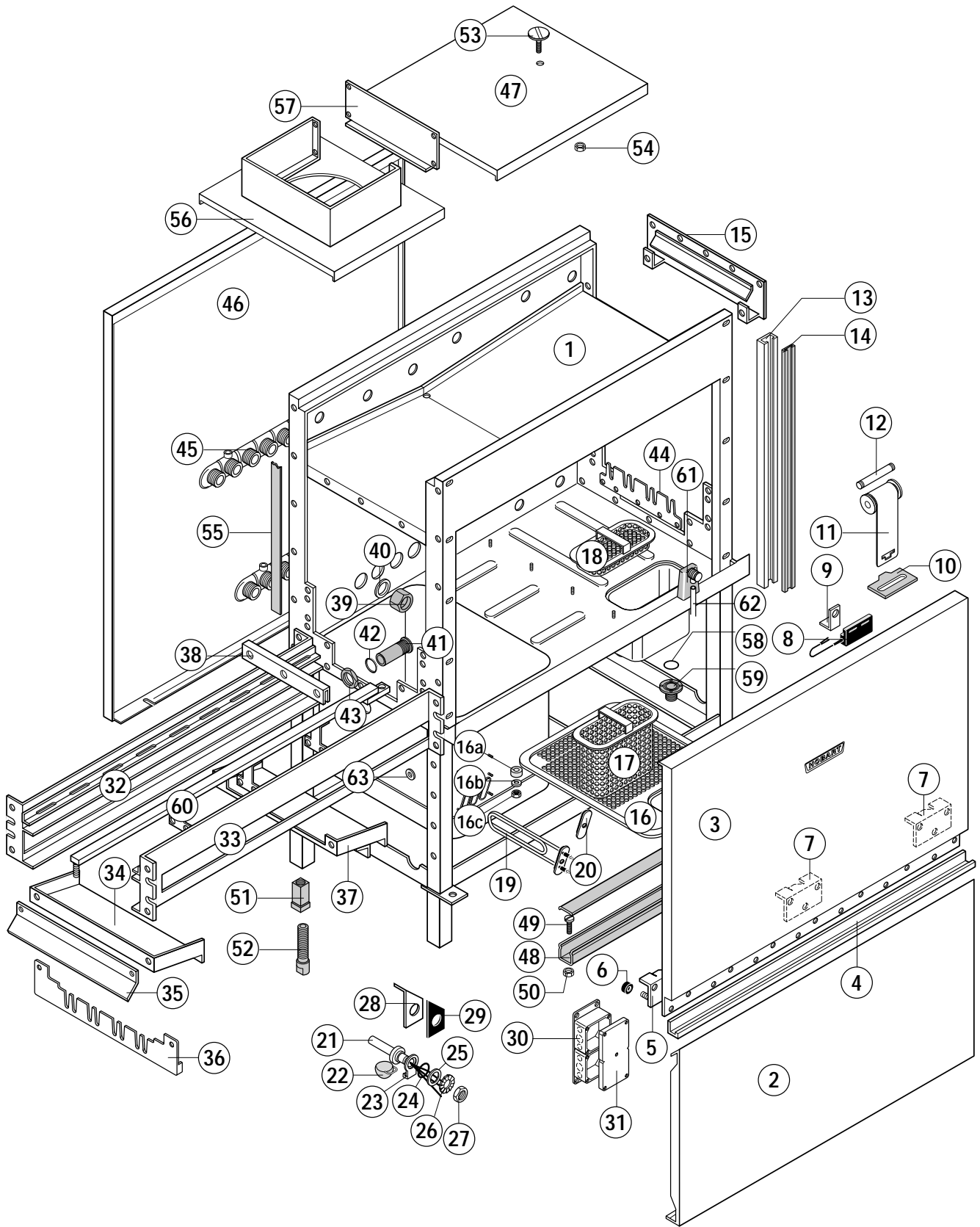




**A** conveyor width  
largeur du convoyeur  
Bandbreite  
bandbreedte

**B** usable height  
hauteur de passage  
Durchlaufhöhe  
doorvoerhoogte

Pos.	L/R G/D	R/L D/G	Specifications / Spécification / Angaben / Opgaven	
22	122674	=		
23	112467	=		
24	67500-72	=		
25	602292	=		
26	602316	=		
27	602476	=		
28	229190	=		
29	300600	=		
30	325023-1	=	(steam & hot water heated / chauffage vapeur & eau chaude / Dampf- & Heißwasser beheizt / stoom & heet water verwarming)	
	325023-2	=	(electrical heated / chauffage électrique / elektrisch beheizt / elektrisch verwarming)	
31	774642-1	=		
32	325895-8	325895-6	B = 440 mm	
	325895-12	325895-7	B = 560 mm	
33	325526-3	325526-4	B = 440 mm	
	325526-1	325526-2	B = 560 mm	
34	325630-1	=	A = 612 mm / B = 440 mm	
	325630-2	=	A = 806 mm / B = 440 mm	
	325639-1	=	A = 612 mm / B = 560 mm	
	325639-2	=	A = 806 mm / B = 560 mm	
35	325631-1	=	A = 612 mm	
	325631-2	=	A = 806 mm	
36	325108-1	=	A = 612 mm (conveyor / convoyeur / Transportband 325 709-1)	
	325691-1	=	A = 806 mm (conveyor / convoyeur / Transportband 325 733-1)	
	325221-1	=	A = 612 mm (conveyor / convoyeur / Transportband 325 237-1)	
	325684-1	=	A = 806 mm (conveyor / convoyeur / Transportband 325 751-1)	
	774922-1	=	A = 612 mm (conveyor / convoyeur / Transportband 325 367-1)	
	325981-1	=	A = 806 mm (conveyor / convoyeur / Transportband 325 735-1)	
	774851-1	=	A = 612 mm (conveyor / convoyeur / Transportband 325 718-1)	
	325971-1	=	A = 806 mm (conveyor / convoyeur / Transportband 325 736-1)	
37	325266-1	=	A = 612 mm	
	325266-2	=	A = 806 mm	
38	325155-1	=	A = 612 mm	
	325155-2	=	A = 806 mm	
39	774522-1	=		
40	172986-26	=		
41	774645-2	=		
42	774651-1	=		
43	774650-1	=		
44	774773-1	=	A = 612 mm (conveyor / convoyeur / Transportband 325 709-1)	
	325692-1	=	A = 806 mm (conveyor / convoyeur / Transportband 325 733-1)	
	325227-1	=	A = 612 mm (conveyor / convoyeur / Transportband 325 237-1)	
	325685-1	=	A = 806 mm (conveyor / convoyeur / Transportband 325 751-1)	
	774923-1	=	A = 612 mm (conveyor / convoyeur / Transportband 325 367-1)	
	325982-1	=	A = 806 mm (conveyor / convoyeur / Transportband 325 735-1)	
	774852-1	=	A = 612 mm (conveyor / convoyeur / Transportband 325 718-1)	
	325972-1	=	A = 806 mm (conveyor / convoyeur / Transportband 325 736-1)	

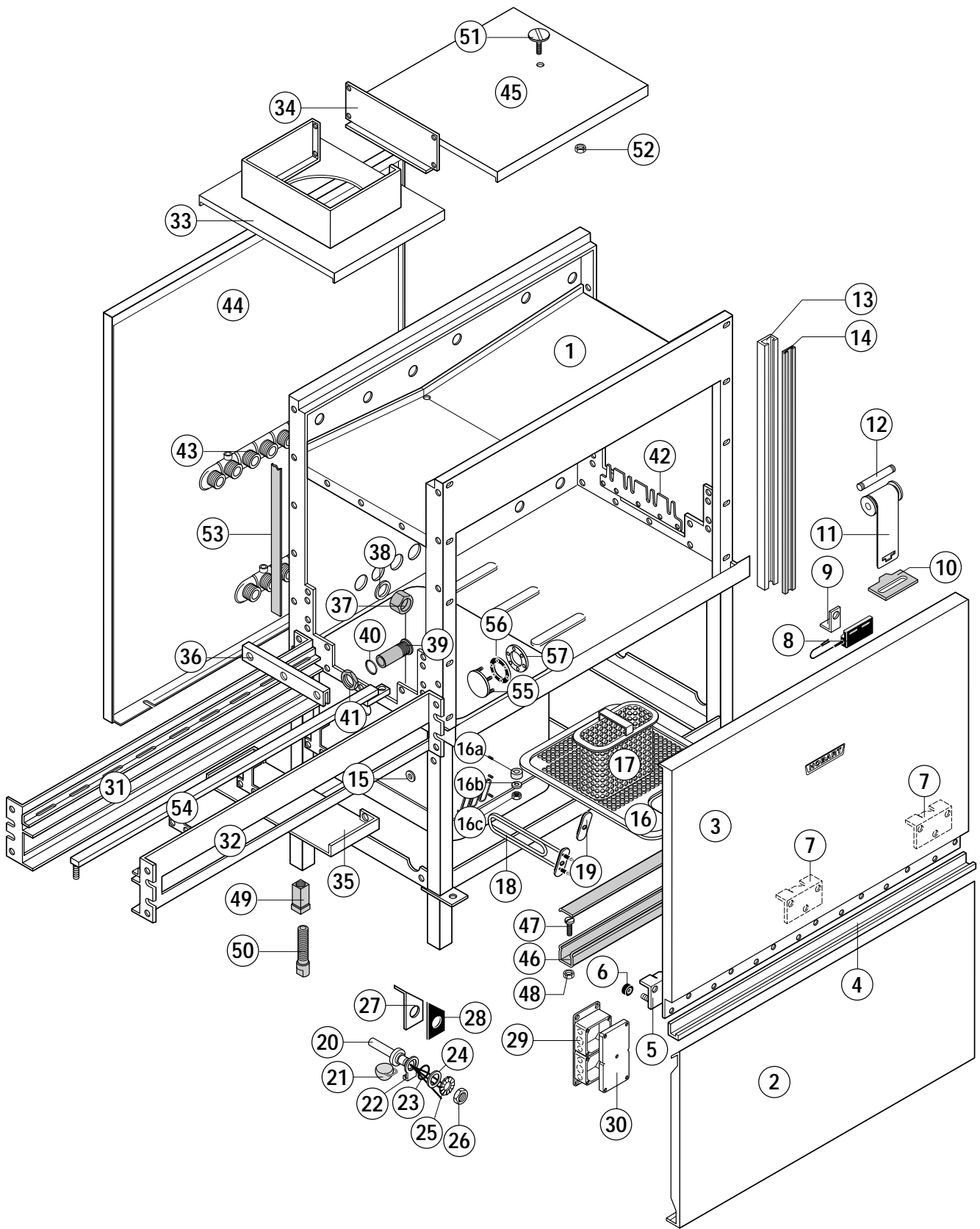




**A** conveyor width  
largeur du convoyeur  
Bandbreite  
bandbreedte

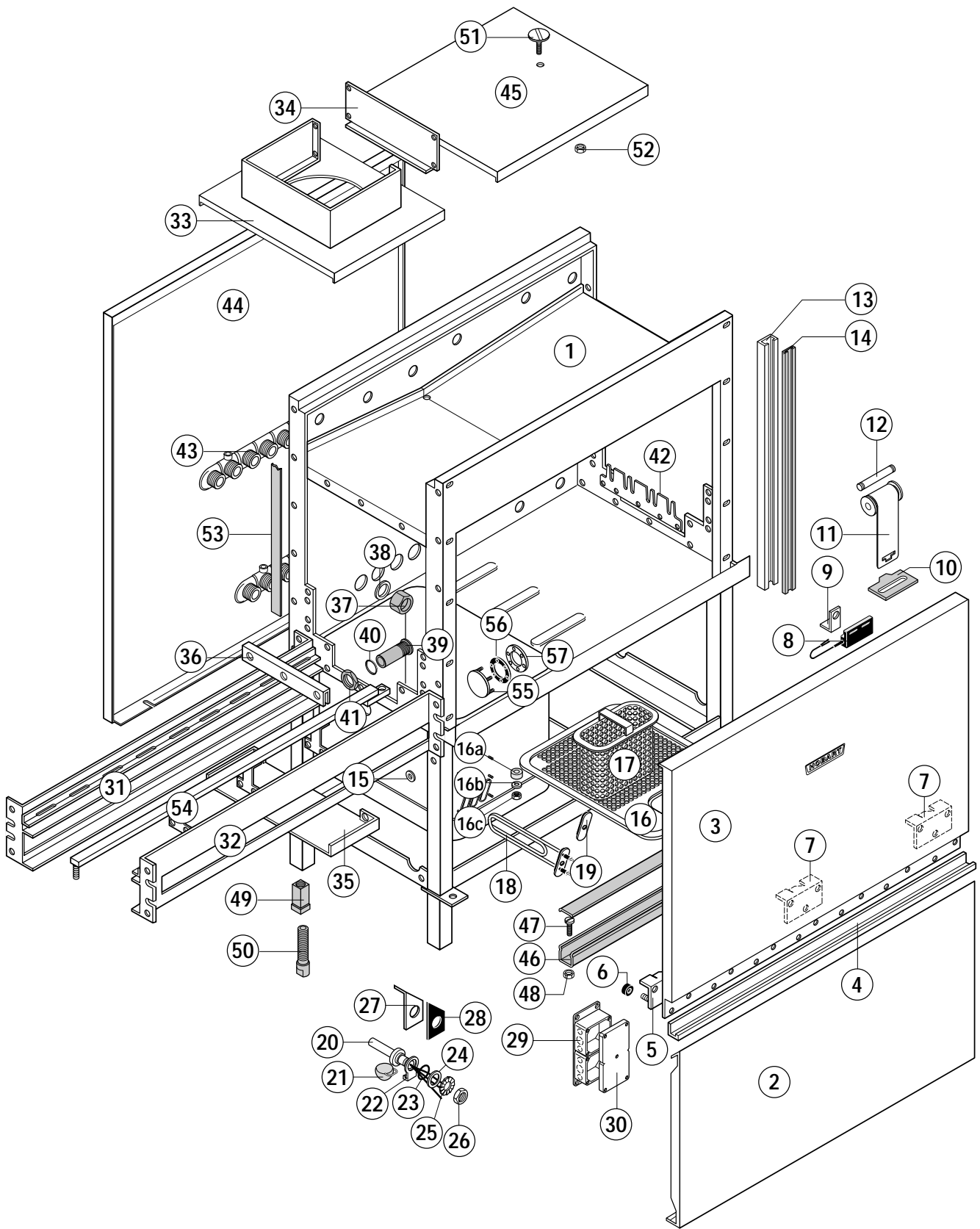
**B** usable height  
hauteur de passage  
Durchlaufhöhe  
doorvoerhoogte

Pos.	L/R G/D	R/L D/G	Specifications / Spécification / Angaben / Opgaven
45	774502-1	774508-1	A = 612 mm / B = 440 mm (without side wash / sans lavage latéral / ohne seittl. Waschung / zonder zijdelingse wasing)
	774502-2	774508-2	A = 806 mm / B = 440 mm (without side wash / sans lavage latéral / ohne seittl. Waschung / zonder zijdelingse wasing)
	325720-3	325721-3	A = 612 mm / B = 560 mm (without side wash / sans lavage latéral / ohne seittl. Waschung / zonder zijdelingse wasing)
	325720-4	325721-4	A = 806 mm / B = 560 mm (without side wash / sans lavage latéral / ohne seittl. Waschung / zonder zijdelingse wasing)
	774925-1	774926-1	A = 612 mm / B = 440 mm (with side wash / avec lavage latéral / mit seittl. Waschung / met zijdelingse wasing)
	774925-2	774926-2	A = 806 mm / B = 440 mm (with side wash / avec lavage latéral / mit seittl. Waschung / met zijdelingse wasing)
	325656-3	325656-3	A = 612 mm / B = 560 mm (with side wash / avec lavage latéral / mit seittl. Waschung / met zijdelingse wasing)
	325656-4	325656-4	A = 806 mm / B = 560 mm (with side wash / avec lavage latéral / mit seittl. Waschung / met zijdelingse wasing)
46	325288-4	=	B = 440 mm
	325288-14	=	B = 560 mm
	325916-1	325916-2	B = 440 mm (only with HP / seulement avec HP / nur mit HP / alleen met HP)
	325916-3	325916-4	B = 560 mm (only with HP / seulement avec HP / nur mit HP / alleen met HP)
47	325044-1	=	A = 612 mm
	325044-9	=	A = 806 mm
48	325226-6	=	
49	602569	=	
50	602502	=	
51	325008-1	=	
52	325007-1	=	
53	603653	=	
54	602503	=	
55	168834-1	=	
56	325339-1	=	A = 612 mm
	325339-2	=	A = 806 mm
57	325679-1	=	A = 612 mm
	325679-2	=	A = 806 mm
58	67500-62	=	
59	774931-1	=	
60	325999-7	=	A = 806 mm / B = 440 mm (only with / seulement avec / nur bei / maar met S)
	325999-8	=	A = 806 mm / B = 560 mm (only with / seulement avec / nur bei / maar met A)
61	324858-1	=	
62	324402-5	=	
63	378755	=	



Pos.	L/R G/D	R/L D/G	Specifications / Spécification / Angaben / Opgaven
01	325558-1	325560-1	A = 612 mm / B = 440 mm (electrical heated / chauffage électrique / elektrisch beheizt / elektrisch verwarming)
	325558-2	325560-2	A = 806 mm / B = 440 mm (electrical heated / chauffage électrique / elektrisch beheizt / elektrisch verwarming)
	325878-1	325880-1	A = 612 mm / B = 560 mm (electrical heated / chauffage électrique / elektrisch beheizt / elektrisch verwarming)
	325878-2	325880-2	A = 806 mm / B = 560 mm (electrical heated / chauffage électrique / elektrisch beheizt / elektrisch verwarming)
	325559-1	325561-1	A = 612 mm / B = 440 mm (steam heated / chauffage vapeur / dampfbeheizt / stoom verwarming)
	325559-2	325561-2	A = 806 mm / B = 440 mm (steam heated / chauffage vapeur / dampfbeheizt / stoom verwarming)
	325877-1	325879-1	A = 612 mm / B = 560 mm (steam heated / chauffage vapeur / dampfbeheizt / stoom verwarming)
	325877-2	325879-2	A = 806 mm / B = 560 mm (steam heated / chauffage vapeur / dampfbeheizt / stoom verwarming)
02	325118-7	=	
	325366-2	325366-7	(only with entry section 1 & without prewash / seulement avec zone de entrée 1 & sans pré lavage / nur mit Zulauf 1 & ohne Vorwaschung / alleen met toevoersectie 1 & zonder vorwasing)
03	325280-5	=	B = 440 mm
	325280-10	=	B = 560 mm
04	325290-5	=	
05	774501-1	=	
06	325673-1	=	
07	774503-1	=	
08	229517	=	
09	774795-1	=	
10	774499-1	=	
11	774749-1	=	B = 440 mm (1x)
	774749-3	=	B = 440 mm (2x)
	774749-7		B = 560 mm (3x)
12	774495-1	=	
13	325191-1	=	B = 440 mm
	325191-2	=	B = 560 mm
14	325064-1	=	B = 440 mm
	325064-2	=	B = 560 mm
15	378755	=	
16	325373-1	=	A = 612 mm
	325061-1	=	A = 806 mm
16a	326025-1	=	A = 612 mm
16b	603362	=	A = 612 mm A 6,4
16c	602502	=	A = 612 mm M 6
17	325130-1	=	
18	324637-...	=	see wiring diagramme / voir schéma de cablage / siehe Schaltplan / zie elektrisch schema
	324644-...	=	
19	774808-1	=	
20	229519	=	



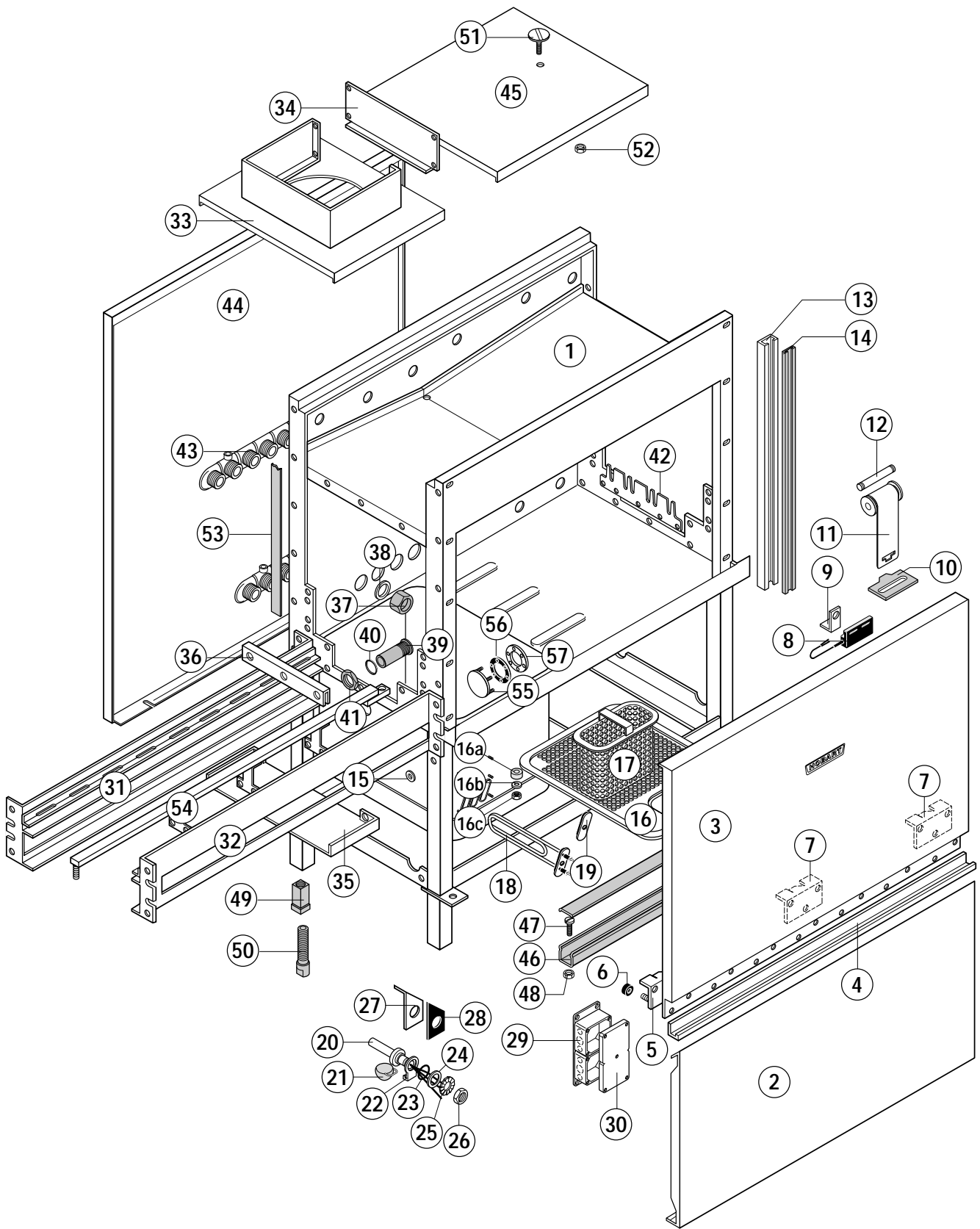




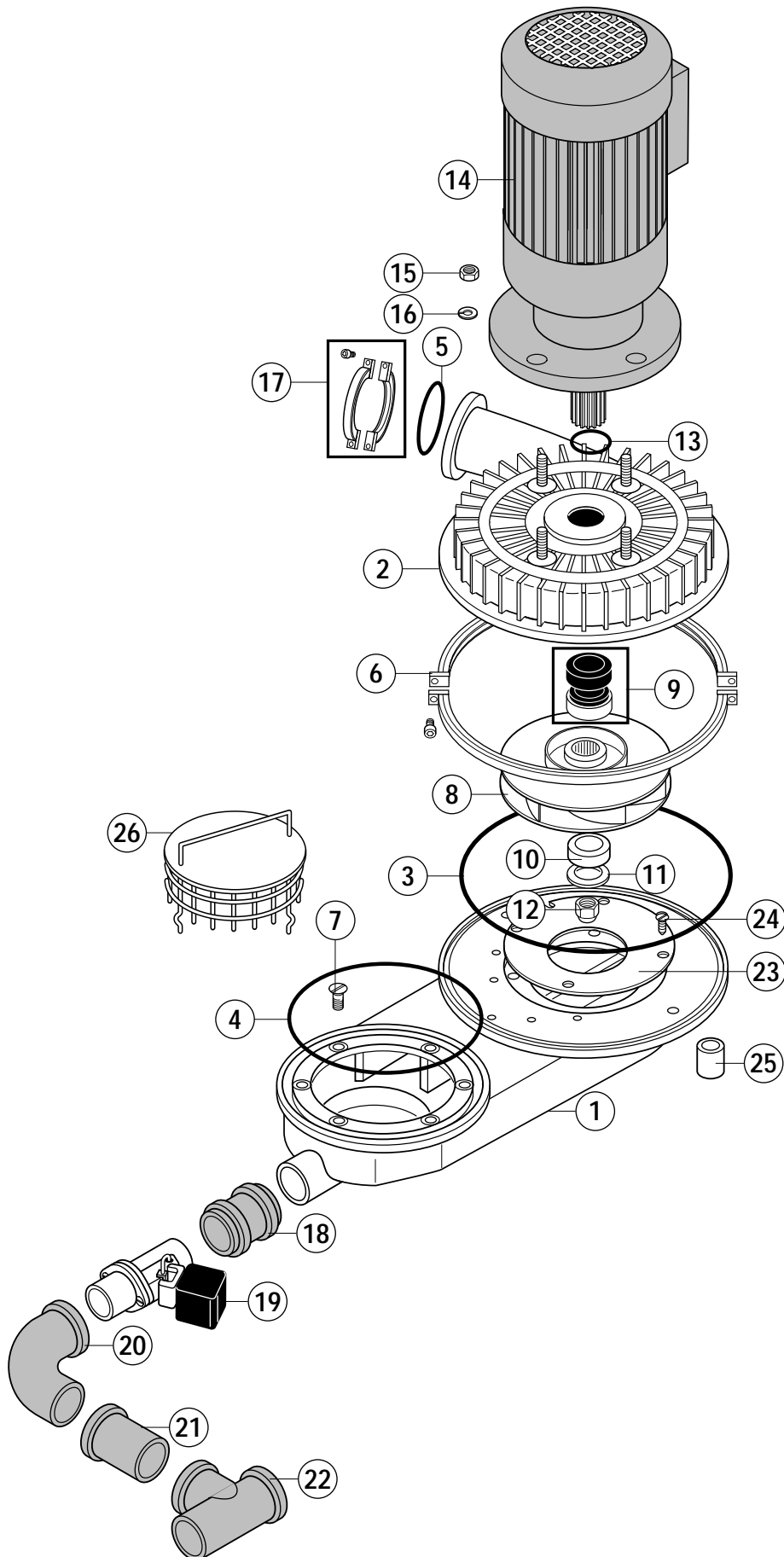
**A** conveyor width  
 largeur du convoyeur  
 Bandbreite  
 bandbreedte

**B** usable height  
 hauteur de passage  
 Durchlaufhöhe  
 doorvoerhoogte

Pos.	L/R G/D	R/L D/G	Specifications / Spécification / Angaben / Opgaven
21	122674	=	
22	112467	=	
23	67500-72	=	
24	602292	=	
25	602316	=	
26	602476	=	
27	229190	=	
28	300600	=	
29	325023-1	=	(steam & hot water heated / chauffage vapeur & eau chaude / Dampf- & Heißwasser beheizt / stoom & heet water verwarming)
	325023-2	=	(electrical heated / chauffage électrique / elektrisch beheizt / elektrisch verwarming)
30	774642-1	=	
31	325562-4	325562-2	B = 440 mm
	325562-8	325562-6	B = 560 mm
32	325563-2	325563-1	B = 440 mm
	325563-4	325563-3	B = 560 mm
33	325339-1	=	A = 612 mm
	325339-2	=	A = 806 mm
34	325679-1	=	
35	325626-1	=	A = 612 mm
	325626-2	=	A = 806 mm
36	325155-1	=	A = 612 mm
	325155-2	=	A = 806 mm
37	774522-1	=	
38	172986-26	=	
39	774645-2	=	
40	774651-1	=	
41	774650-1	=	
42	774773-1	=	A = 612 mm (conveyor / convoyeur / Transportband 325 709-1)
	325692-1	=	A = 806 mm (conveyor / convoyeur / Transportband 325 733-1)
	325227-1	=	A = 612 mm (conveyor / convoyeur / Transportband 325 237-1)
	325685-1	=	A = 806 mm (conveyor / convoyeur / Transportband 325 751-1)
	774923-1	=	A = 612 mm (conveyor / convoyeur / Transportband 325 367-1)
	325982-1	=	A = 806 mm (conveyor / convoyeur / Transportband 325 735-1)
	774852-1	=	A = 612 mm (conveyor / convoyeur / Transportband 325 718-1)
	325972-1	=	A = 806 mm (conveyor / convoyeur / Transportband 325 736-1)







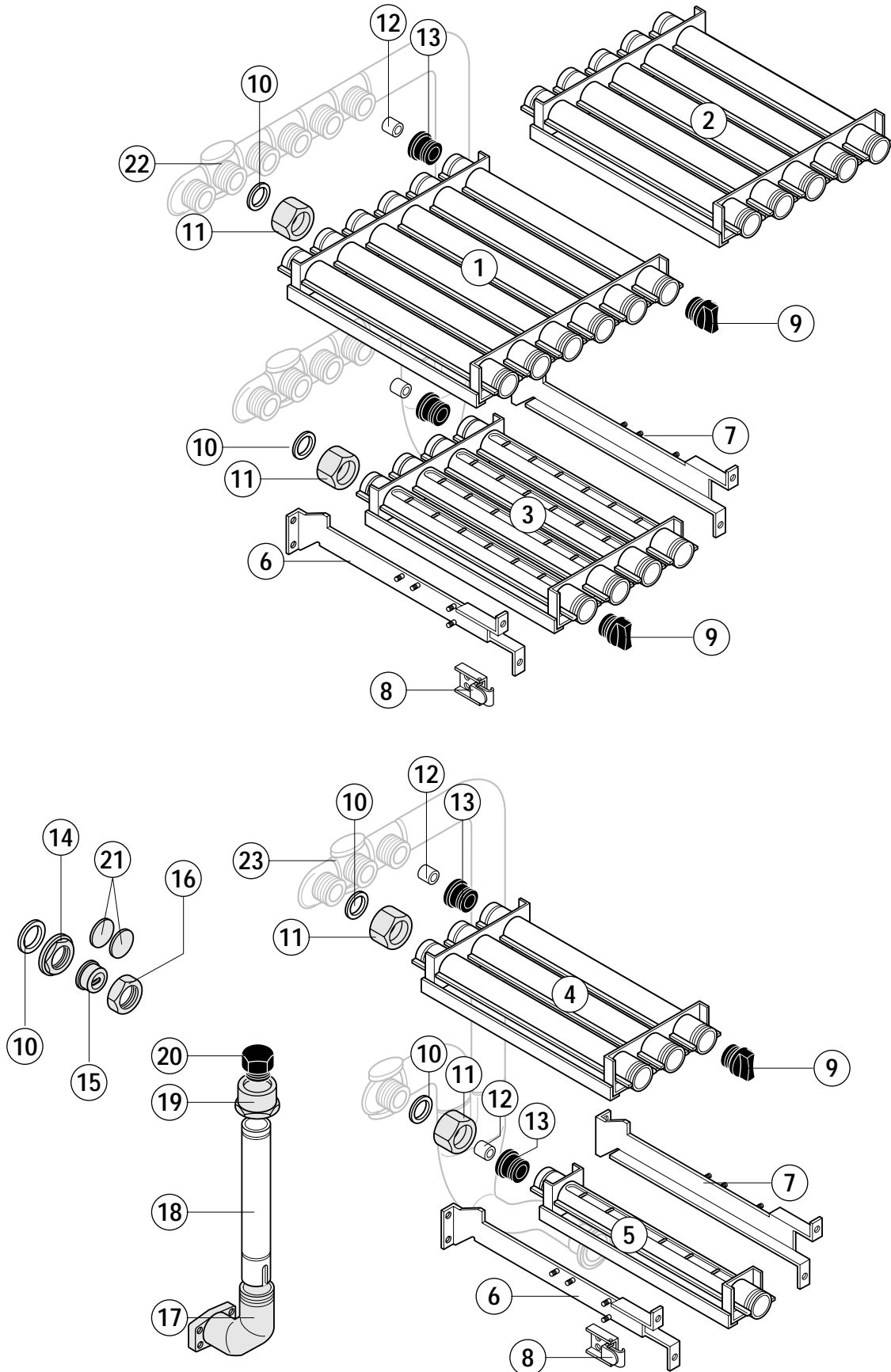
Pos.	L/R G/D	R/L D/G	Specifications / Spécification / Angaben / Opgaven
01	774620-1	=	
	774620-2	=	(only with / seulement avec / nur bei / maar met L module / Modul)
02	324683	=	
03	276903-27	=	
04	276903-28	=	
05	276903-31	=	
06	324848-1	=	
07	602632	=	M6 x 12 DIN 963
08	323977-1	=	2,2 kW / 50 Hz (Ø 187 mm)
	774146-1	=	1,1 kW / 50 Hz; 2,2 kW / 60 Hz (Ø 168 mm)
	323675-1	=	4,0 kW / 50 Hz (Ø 210 mm)
	323977-1	=	4,0 kW / 60 Hz (Ø 187 mm)
	323511	=	1,5 / 4,0 kW / 50 Hz (Ø 230 mm)
	323148-1	=	1,5 / 4,0 kW / 60 Hz (Ø 200 mm)
	774147-1	=	1,1 / 60 Hz (Ø 152 mm)
09	324815-4		
10	324902-1	=	
11	228694-14	=	
12	602505	=	M12 DIN 985
13	67500-11	=	
14	324818-	=	see wiring diagramme / voir schéma de cablage / siehe Schaltplan / zie elektrisch schema
15	602493	=	M10 DIN 934
16	602295	=	B10 DIN 127
17	324735-2	=	
18	774809-1	=	
19	774683-1	=	
20	230080-2	=	
21	229679-13	=	
22	323593-2	=	
23	774682-1	=	
24	602335	=	
25	324874-2	=	
26	774800-1	=	



**A** conveyor width  
largeur du convoyeur  
Bandbreite  
bandbreedte

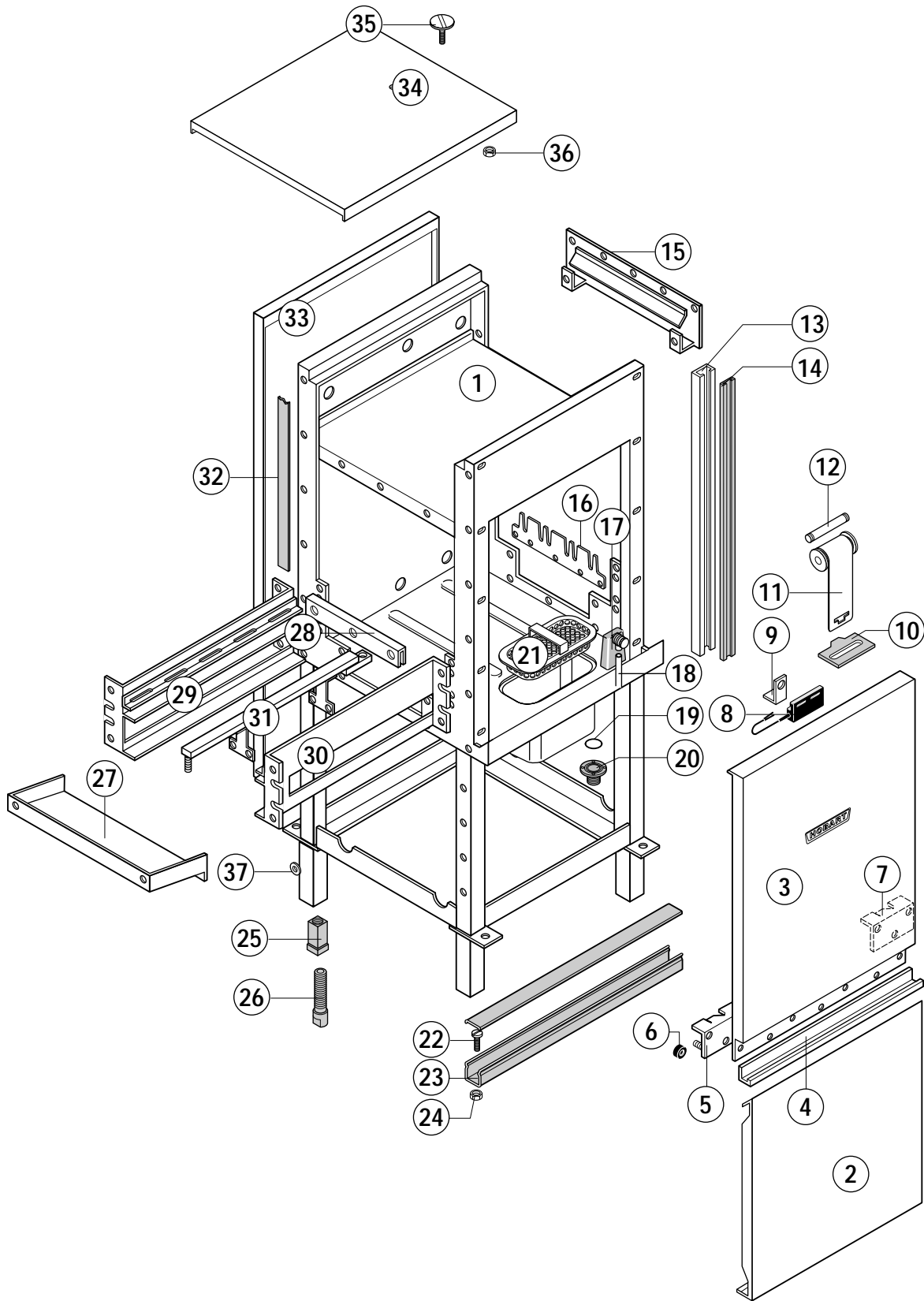
**B** usable height  
hauteur de passage  
Durchlaufhöhe  
doorvoerhoogte

Pos.	L/R G/D	R/L D/G	Specifications / Spécification / Angaben / Opgaven
01	774874-1	774874-2	A = 612 mm / B = 440 mm 2,2 kW (including / comprend / beinhaltet / inclusief 9, 12 = Ø 24 mm, 13)
	774874-5	774874-18	A = 612 mm / B = 440 mm 1,5 / 4,0 kW (including / comprend / beinhaltet / inclusief 9, 12 = Ø 24 mm, 13)
	774874-3	774874-4	A = 806 mm / B = 440 mm 4,0 kW (including / comprend / beinhaltet / inclusief 9, 12 = Ø 24 mm, 13)
02	774874-6	774874-7	A = 612 mm / B = 560 mm 2,2 kW (including / comprend / beinhaltet / inclusief 9, 12 = Ø 24 mm, 13)
	774874-8	774874-9	A = 806 mm / B = 560 mm 4,0 kW (including / comprend / beinhaltet / inclusief 9, 12 = Ø 24 mm, 13)
03	774875-1	=	A = 612 mm 2,2 kW (including / comprend / beinhaltet / inclusief 9, 12 = Ø 12 mm, 13)
	774875-3	=	A = 612 mm 1,5 / 4,0 kW (including / comprend / beinhaltet / inclusief 9, 12 = Ø 12 mm, 13)
	774875-2	=	A = 806 mm 4,0 kW (including / comprend / beinhaltet / inclusief 9, 12 = Ø 12 mm, 13)
04	325376-1	325376-2	A = 612 mm / B = 440 mm 1,1 kW (including / comprend / beinhaltet / inclusief 9, 12 = Ø 24 mm, 13)
05	325377-1	=	A = 612 mm / B = 560 mm 1,1 kW (including / comprend / beinhaltet / inclusief 9, 12 = Ø 14 mm, 13)
06	325645-1	=	A = 612 mm
	325645-3	=	A = 806 mm
07	325646-1	=	A = 612 mm
	325646-3	=	A = 806 mm
08	325648-1	=	
09	325109-1	=	
10	172986-26	=	
11	774522-1	=	
12	493413-1	=	Ø 24 mm
	493413-6	=	Ø 12 mm
	493413-7	=	Ø 11 mm
	493413-8	=	Ø 10 mm
	493413-4	=	Ø 14 mm
13	325112-4	=	
14	774724-1	=	
15	774722-1	774722-2	
16	774723-1	=	
17	774618-1	=	
18	774742-1	774742-2	
19	774725-1	=	
20	106769	=	
21	326011-1	=	without side wash, sans lavage latéral, ohne seitliche Waschung, zonder zijdelingse wasing







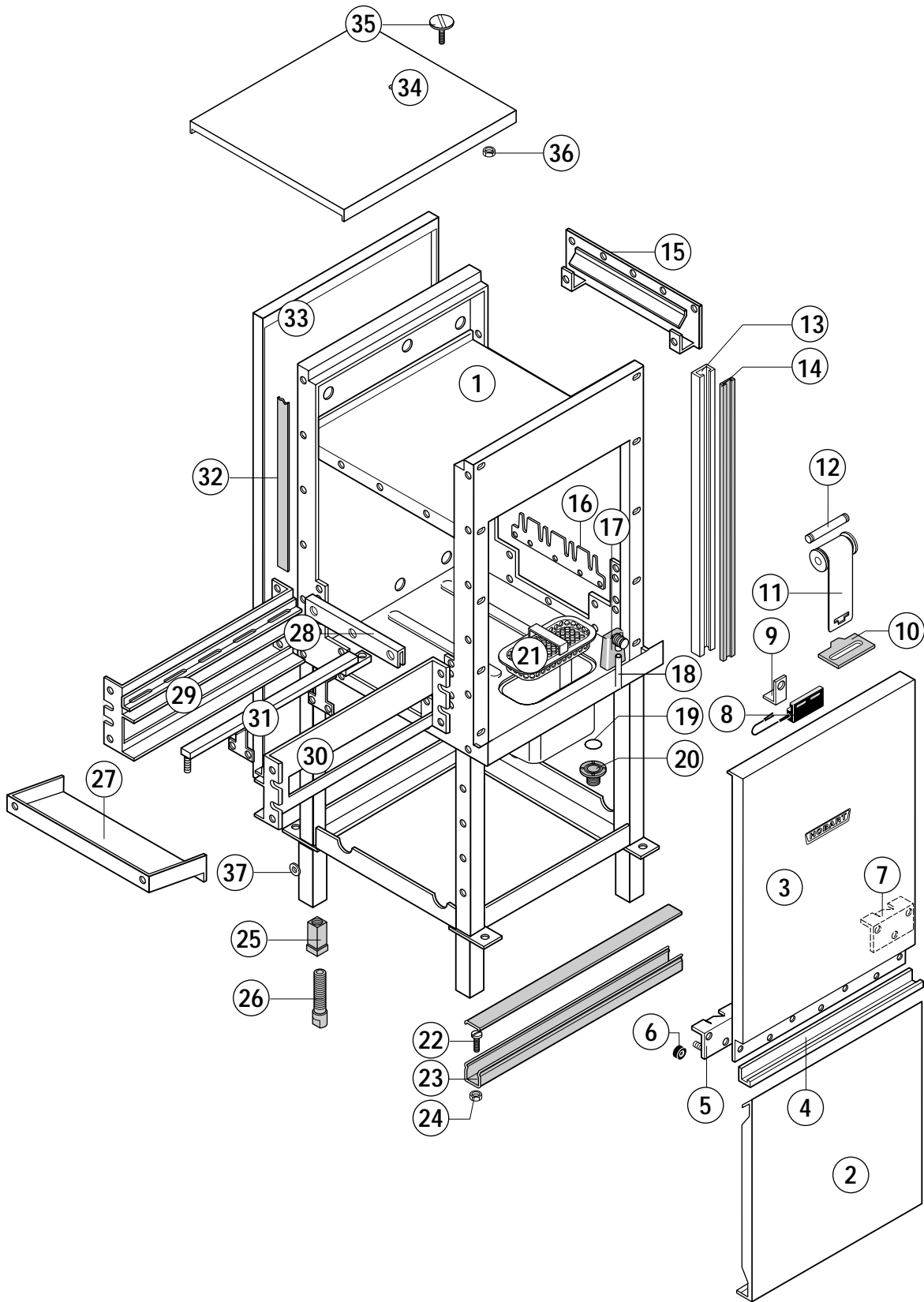




**A** conveyor width  
 largeur du convoyeur  
 Bandbreite  
 bandbreedte

**B** usable height  
 hauteur de passage  
 Durchlaufhöhe  
 doorvoerhoogte

Pos.	L/R G/D	R/L D/G	Specifications / Spécification / Angaben / Opgaven
01	325963-1	325777-1	A = 612 mm / B = 440 mm
	325963-3	325777-3	A = 806 mm / B = 440 mm
	325963-2	325777-2	A = 612 mm / B = 560 mm
	325963-4	325777-4	A = 806 mm / B = 560 mm
02	325118-3	=	
03	325280-2	=	B = 440 mm
	325280-7	=	B = 560 mm
04	325290-2	=	
05	774501-1	=	
06	325673-1	=	
07	774503-1	=	
08	229517	=	
09	774795-1	=	
10	774499-1	=	
11	774749-4	=	B = 440 mm
12	774495-1	=	
13	325191-1	=	B = 440 mm
	325191-2	=	B = 560 mm
14	325064-1	=	B = 440 mm
	325064-2	=	B = 560 mm
15	325359-1	325359-1	A = 612 mm
	325359-2	325359-4	A = 806 mm
16	774773-1	=	A = 612 mm (conveyor / convoyeur / Transportband 325 709-1)
	325692-1	=	A = 806 mm (conveyor / convoyeur / Transportband 325 733-1)
	325227-1	=	A = 612 mm (conveyor / convoyeur / Transportband 325 237-1)
	325685-1	=	A = 806 mm (conveyor / convoyeur / Transportband 325 751-1)
	774923-1	=	A = 612 mm (conveyor / convoyeur / Transportband 325 367-1)
	325982-1	=	A = 806 mm (conveyor / convoyeur / Transportband 325 735-1)
	774852-1	=	A = 612 mm (conveyor / convoyeur / Transportband 325 718-1)
	325972-1	=	A = 806 mm (conveyor / convoyeur / Transportband 325 736-1)
17	324858-1	=	
18	324402-5	=	
19	67500-62	=	
20	774931-1	=	
21	325074-1	=	
22	602569	=	
23	325226-3	=	
24	602502	=	
25	325008-1	=	
26	325007-1	=	
27	325630-1	=	A = 612 mm / B 440 mm
	325630-2	=	A = 806 mm / B 440 mm
	325639-1	=	A = 612 mm / B 560 mm
	325639-2	=	A = 806 mm / B 560 mm
28	325155-1	=	A = 612 mm
	325155-2	=	A = 806 mm

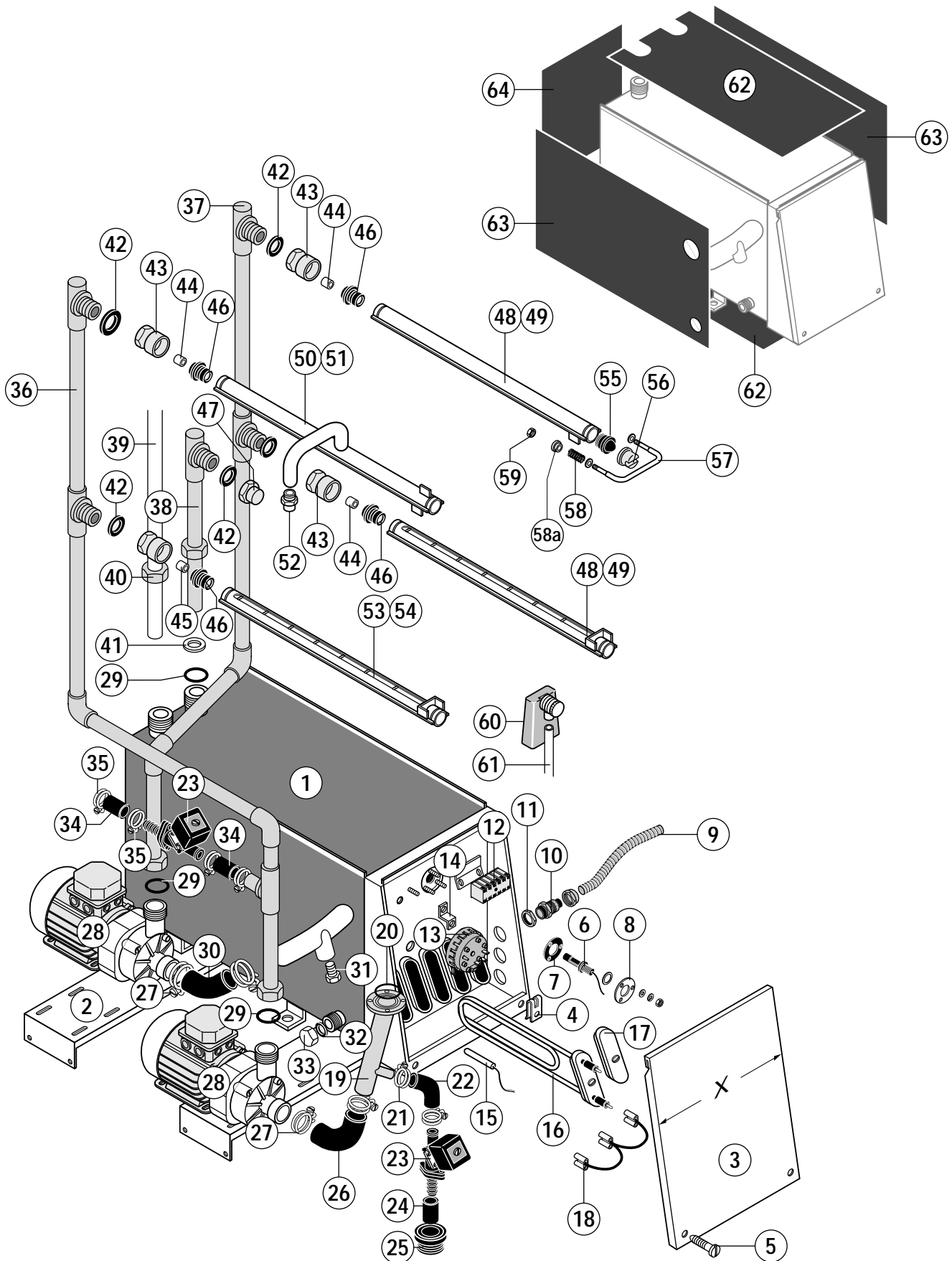




**A** conveyor width  
largeur du convoyeur  
Bandbreite  
bandbreedte

**B** usable height  
hauteur de passage  
Durchlaufhöhe  
doorvoerhoogte

Pos.	L/R G/D	R/L D/G	Specifications / Spécification / Angaben / Opgaven
29	325834-2	=	
30	325835-1	325835-2	
31	325999-11	=	A = 806 mm only, seulement, nur, maar
32	168834-1	=	
33	325288-1	=	B = 440 mm
	325288-11	=	B = 560 mm
34	325044-19	=	A = 612 mm
	325044-20	=	A = 806 mm
35	603653	=	
36	602503	=	
37	378755	=	

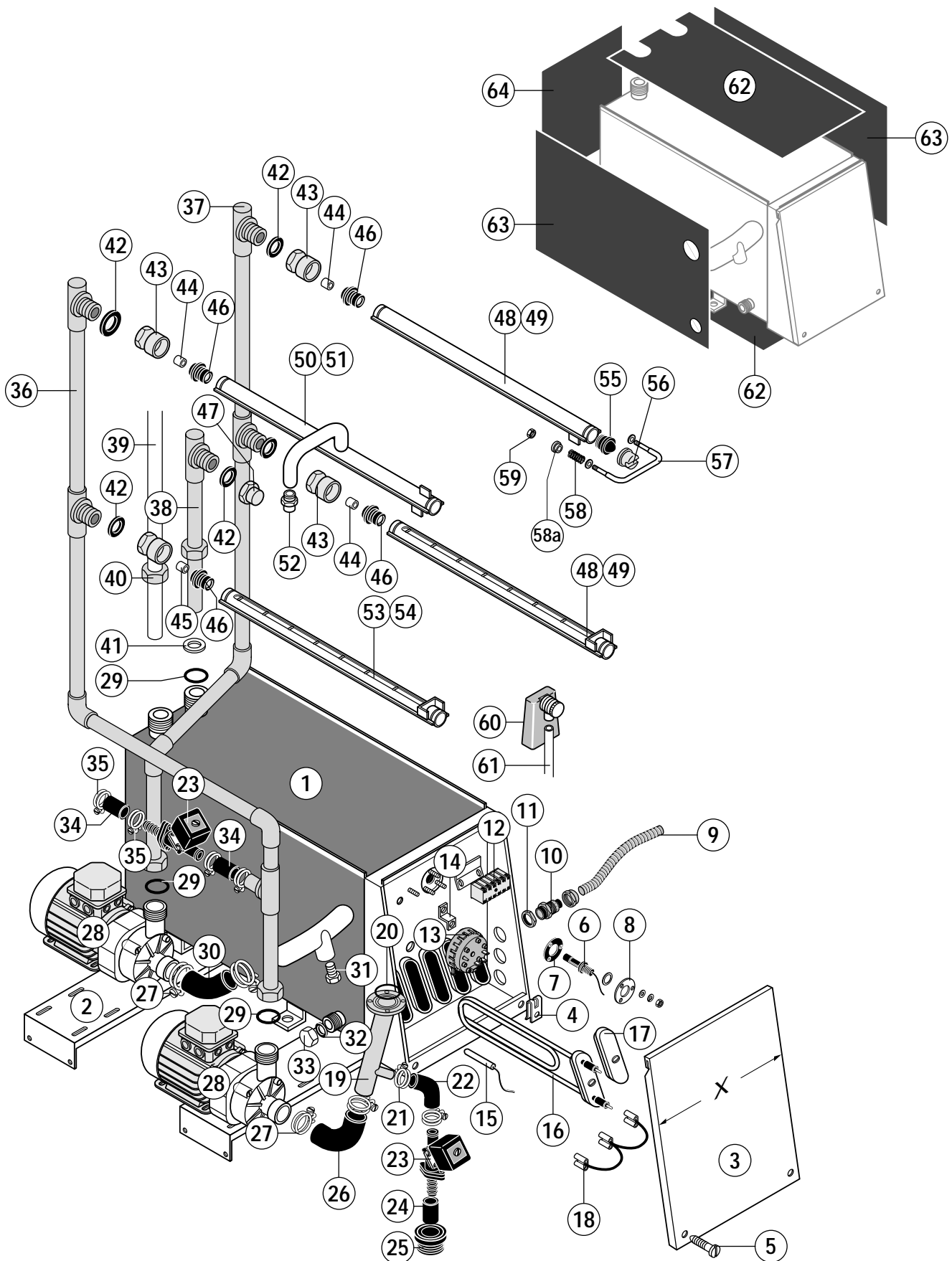




**A** conveyor width  
largeur du convoyeur  
Bandbreite  
bandbreedte

**B** usable height  
hauteur de passage  
Durchlaufhöhe  
doorvoerhoogte

Pos.	L/R G/D	R/L D/G	Specifications / Spécification / Angaben / Opgaven
01	325459-1	325459-2	A = 612 mm
	774915-1	774915-2	A = 806 mm
02	325054-1	=	
	325054-2	=	(only R module / seulement R module / nur R-Modul / maar R-modul)
03	325516-1	=	X = 245 mm
	775107-1	=	X = 253 mm
04	371148-2	=	B 4,8
05	600526	=	B 4,8 x 9,5
06	774033-1	=	
07	774034-1	=	
08	774010-1	=	
09	774796-1		
10	774797-1	=	
11	169045-4	=	
12	228517-1	=	
13	231981-6	=	STANDARD
	378758-6	=	PROTRONIC
14	774813-1	=	
15	378584	=	
16	324644-...	=	see wiring diagramme / voir schéma de cablage / siehe Schaltplan / zie elektrisch schema
17	774808-1	=	
18	227073-029	=	
19	774931-1	=	
20	67500-62	=	
21	323945-27	=	
22	324077-44	=	
23	323592-1	=	220 - 230 V
	323592-2	=	240 V
	323592-3	=	200 V
24	226994-13	=	
25	325549-1	=	
26	324077-43	=	
27	323945-40	=	
28	774908-....	=	see wiring diagramme / voir schéma de cablage / siehe Schaltplan / zie elektrisch schema
29	67500-72	=	
30	774912-1	=	
31	226989	=	R 1/8"
32	172986-13	=	
33	600588	=	
34	324269-2	=	
35	323945-40	=	



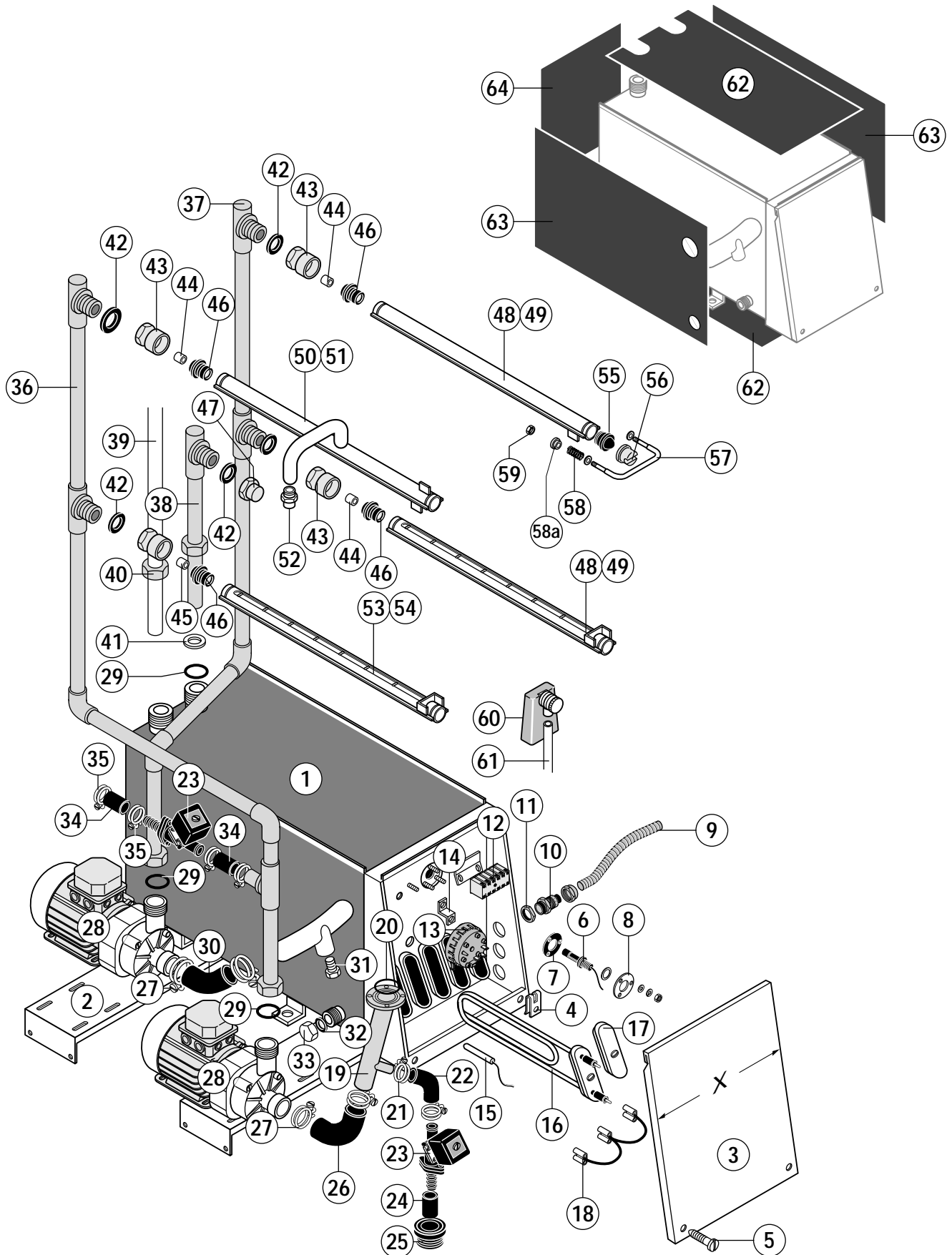




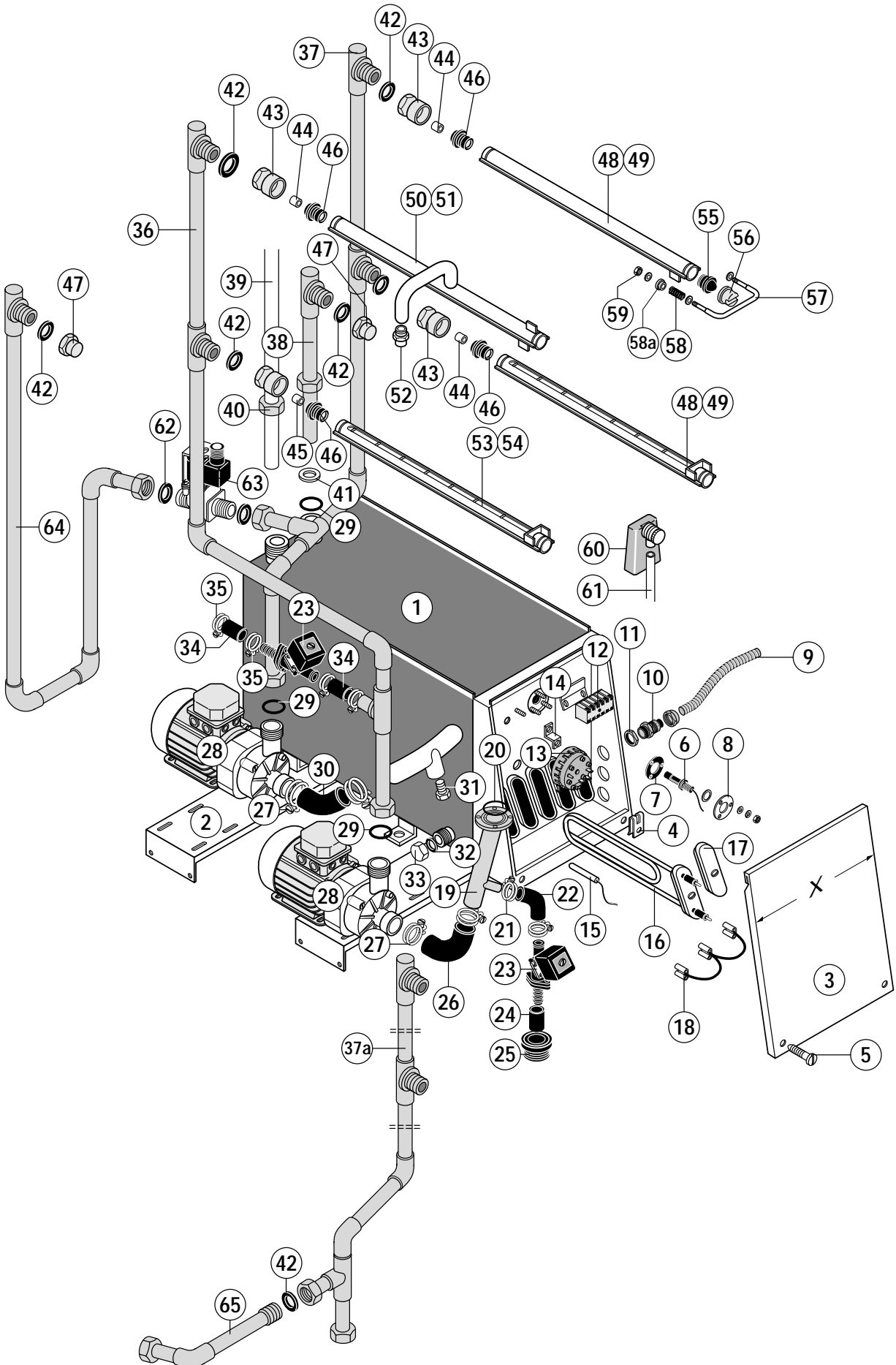
**A** conveyor width  
largeur du convoyeur  
Bandbreite  
bandbreedte

**B** usable height  
hauteur de passage  
Durchlaufhöhe  
doorvoerhoogte

Pos.	L/R G/D	R/L D/G	Specifications / Spécification / Angaben / Opgaven
36	774971-1	774938-1	A = 612 mm / B = 440 mm (without E / sans E / ohne E / zonder E)
	774971-5	774938-5	A = 806 mm / B = 440 mm (without E / sans E / ohne E / zonder E)
	774971-2	774938-2	A = 612 mm / B = 560 mm (without E / sans E / ohne E / zonder E)
	774971-6	774938-6	A = 806 mm / B = 560 mm (without E / sans E / ohne E / zonder E)
	774868-1	774867-1	A = 612 mm / B = 440 mm (with E / avec E / mit E / met E)
	774868-5	774867-5	A = 806 mm / B = 440 mm (with E / avec E / mit E / met E)
	774868-2	774867-2	A = 612 mm / B = 560 mm (with E / avec E / mit E / met E)
	774868-6	774867-6	A = 806 mm / B = 560 mm (with E / avec E / mit E / met E)
	775071-1	775138-1	A = 612 mm / B = 440 mm (only / seulement / nur / maar R module / Modul)
	775071-5	775138-5	A = 806 mm / B = 440 mm (only / seulement / nur / maar R module / Modul)
	775071-2	775138-2	A = 612 mm / B = 560 mm (only / seulement / nur / maar R module / Modul)
	775071-6	775138-6	A = 806 mm / B = 560 mm (only / seulement / nur / maar R module / Modul)
37	774840-1	774857-1	A = 612 mm / B = 440 mm
	774840-5	774857-5	A = 806 mm / B = 440 mm
	774840-2	774857-2	A = 612 mm / B = 560 mm
	774840-6	774857-6	A = 806 mm / B = 560 mm
	775070-1	775139-1	A = 612 mm / B = 440 mm (only / seulement / nur / maar R module / Modul)
	775070-5	775139-5	A = 806 mm / B = 440 mm (only / seulement / nur / maar R module / Modul)
	775070-2	775139-2	A = 612 mm / B = 560 mm (only / seulement / nur / maar R module / Modul)
	775070-6	775139-6	A = 806 mm / B = 560 mm (only / seulement / nur / maar R module / Modul)
38	774830-1	=	
39	774821-1	=	B = 440 mm (without E / sans E / ohne E / zonder E)
	774821-2	=	B = 560 mm (without E / sans E / ohne E / zonder E)
40	600538	=	
41	228694-22	=	
42	172986-27	=	
43	774649-1	=	
44	493414	=	
45	325501-1	=	
46	325308-1	=	
47	774670-1	=	
48	325326-1	=	A = 612 mm
	325326-8	=	A = 806 mm
49	774877-3	=	A = 612 mm (including / comprend / beinhaltet / inclusief 44, 46, 48)
	774877-4	=	A = 806 mm (including / comprend / beinhaltet / inclusief 44, 46, 48)
50	774885-1	774885-2	A = 612 mm
	774885-3	774885-4	A = 806 mm
	774885-5	774885-6	A = 612 mm (only / seulement / nur / maar R module / Modul)
	774885-13	774885-14	A = 806 mm (only / seulement / nur / maar R module / Modul)







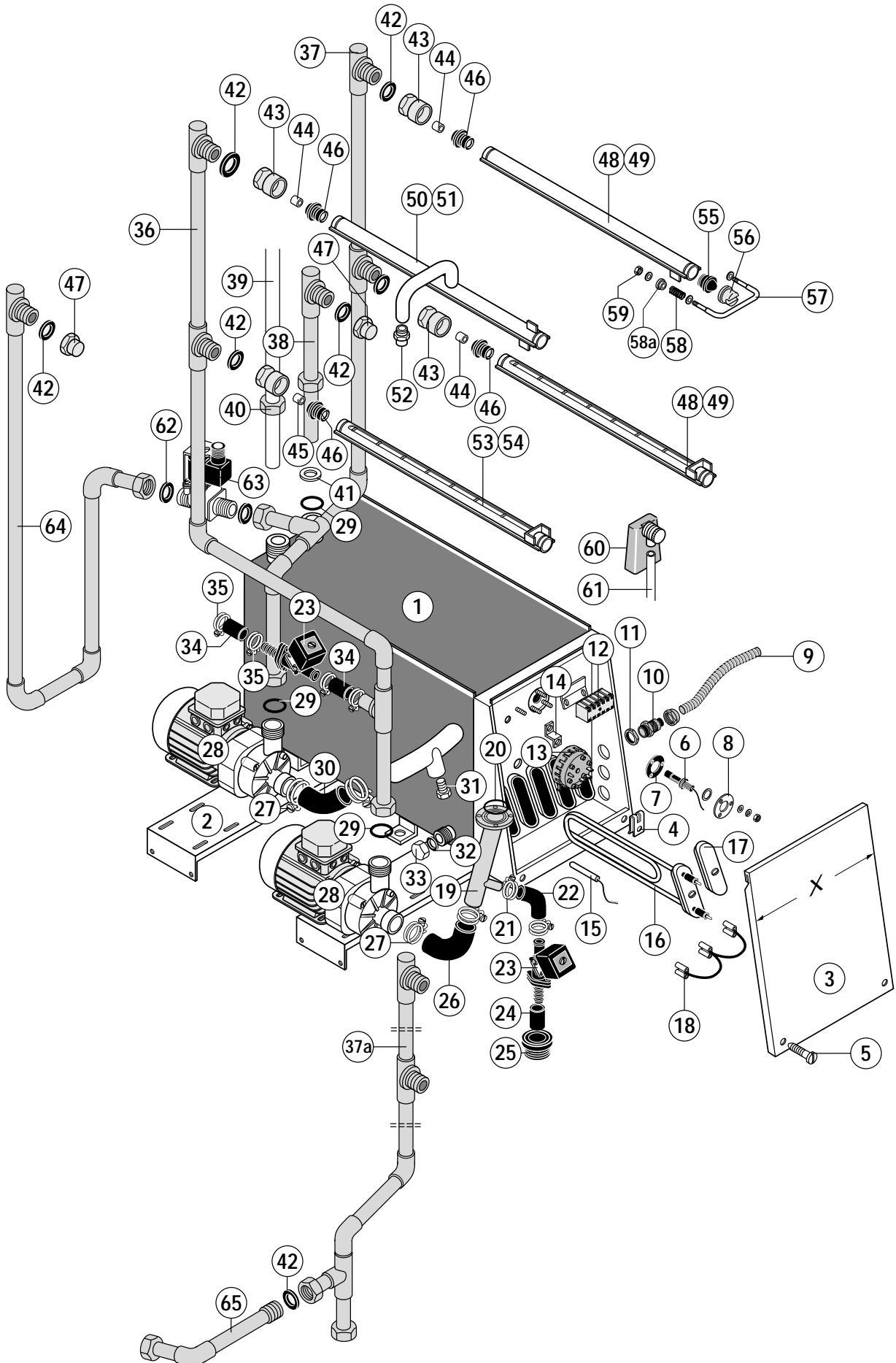


**A** conveyor width  
 largeur du convoyeur  
 Bandbreite  
 bandbreedte

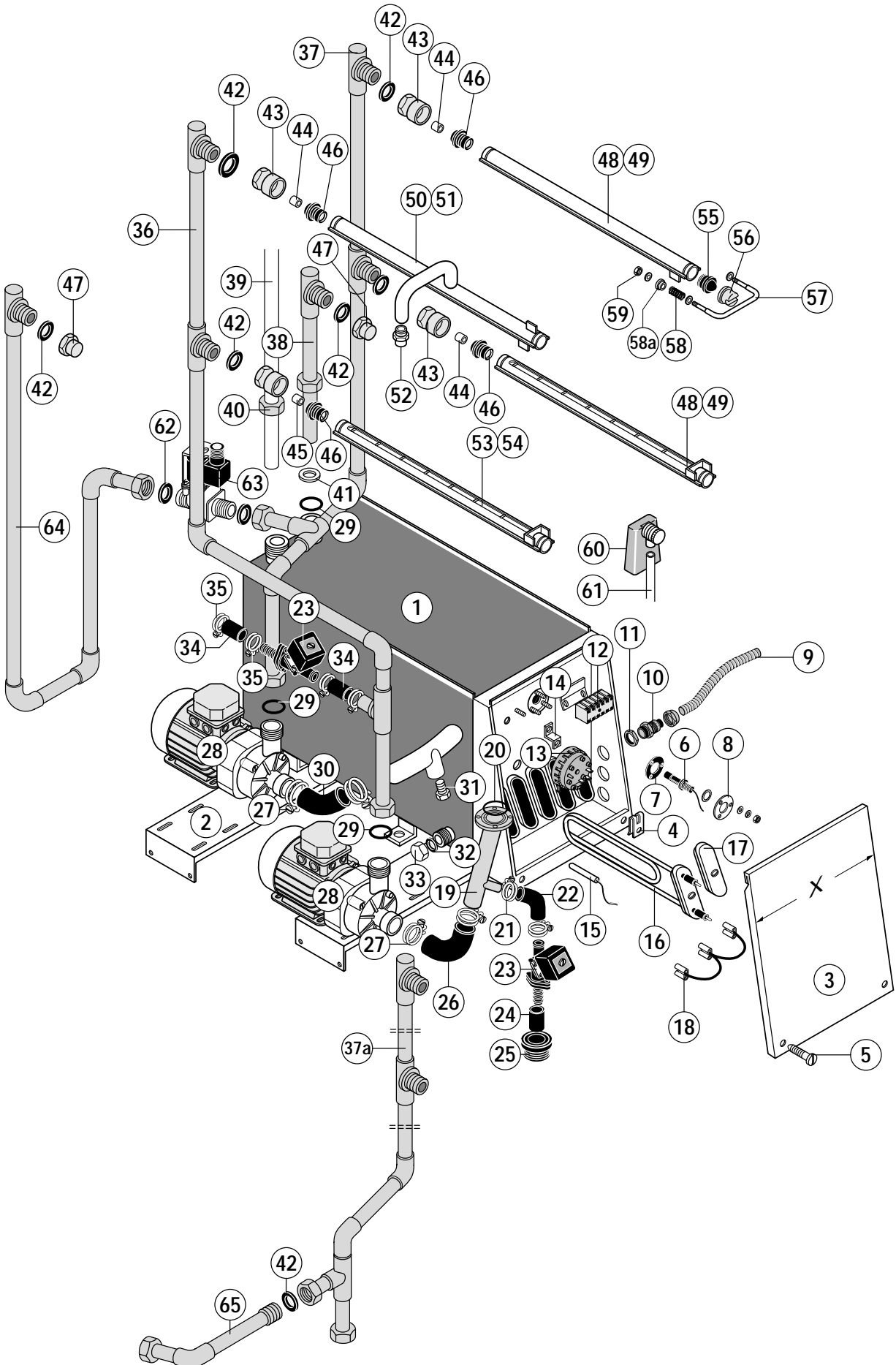
**B** usable height  
 hauteur de passage  
 Durchlaufhöhe  
 doorvoerhoogte

Pos.	L/R G/D	R/L D/G	Specifications / Spécification / Angaben / Opgaven
01	325459-1	325459-2	A = 612 mm
	774915-1	774915-2	A = 806 mm
02	325054-1		
	325054-2	=	(only R module / seulement R module / nur R-Modul / maar R modul)
03	325516-1	=	X = 245 mm
	775107-1	=	X = 253 mm
04	371148-2	=	B 4,8
05	600526	=	B 4,8 x 9,5
06	774033-1	=	
07	774034-1	=	
08	774010-1	=	
09	774 796-1		
10	774797-1	=	
11	169045-4	=	
12	228517-1	=	
13	231981-6	=	STANDARD
	378758-6	=	PROTRONIC
14	774813-1	=	
15	378584	=	
16	324644-...	=	see wiring diagramme / voir schéma de cablage / siehe Schaltplan / zie elektrisch schema
17	774808-1	=	
18	227073-029	=	
19	774931-1	=	
20	67500-62	=	
21	323945-27	=	
22	324077-44	=	
23	323592-1	=	220 - 230 V
	323592-2	=	240 V
	323592-3	=	200 V
24	226994-13	=	
25	325549-1	=	
26	324077-43	=	
27	323945-40	=	
28	774908-....	=	see wiring diagramme / voir schéma de cablage / siehe Schaltplan / zie elektrisch schema
29	67500-72	=	
30	774912-1	=	
31	226989	=	R 1/8"
32	172986-13	=	
33	600588	=	
34	324269-2	=	
35	323945-40	=	

11 – Booster (el.) and rinse / Chaudière (él.) et rinçage / Erhitzer (el.) und Klarspülung / Booster (el.) en naspoeling



Pos.	L/R G/D	R/L D/G	Specifications / Spécification / Angaben / Opgaven
36	774971-1	774938-1	A = 612 mm / B = 440 mm (without E; sans E; ohne E; zonder E)
	774971-5	774938-5	A = 806 mm / B = 440 mm (without E; sans E; ohne E; zonder E)
	774971-2	774938-2	A = 612 mm / B = 560 mm (without E; sans E; ohne E; zonder E)
	774971-6	774938-6	A = 806 mm / B = 560 mm (without E; sans E; ohne E; zonder E)
	774868-1	774867-1	A = 612 mm / B = 440 mm (with E; avec E; mit E; met E)
	774868-5	774867-5	A = 806 mm / B = 440 mm (with E; avec E; mit E; met E)
	774868-2	774867-2	A = 612 mm / B = 560 mm (with E; avec E; mit E; met E)
	774868-6	774867-6	A = 806 mm / B = 560 mm (with E; avec E; mit E; met E)
	775071-1	775138-1	A = 612 mm / B = 440 mm (only / seulement / nur / maar R module / Modul)
	775071-5	775138-5	A = 806 mm / B = 440 mm (only / seulement / nur / maar R module / Modul)
	775071-2	775138-2	A = 612 mm / B = 560 mm (only / seulement / nur / maar R module / Modul)
775071-6	775138-6	A = 806 mm / B = 560 mm (only / seulement / nur / maar R module / Modul)	
37	775004-1	774932-1	A = 612 mm / B = 440 mm
	775004-5	774932-5	A = 806 mm / B = 440 mm
	775004-2	774932-2	A = 612 mm / B = 560 mm
	775004-6	774932-6	A = 806 mm / B = 560 mm
37a	775205-1	775228-1	A = 612 mm / B = 440 mm (only / seulement / nur / maar R module / Modul)
	775205-5	775228-5	A = 806 mm / B = 440 mm (only / seulement / nur / maar R module / Modul)
	775205-2	775228-2	A = 612 mm / B = 560 mm (only / seulement / nur / maar R module / Modul)
	775205-6	775228-6	A = 806 mm / B = 560 mm (only / seulement / nur / maar R module / Modul)
38	774830-1	=	
39	774821-1	=	B = 440 mm (without E / sans E / ohne E / zonder E)
	774821-2	=	B = 560 mm (without E / sans E / ohne E / zonder E)
40	600538	=	
41	228694-22	=	
42	172986-27	=	
43	774649-1	=	
44	493414	=	
45	325501-1	=	
46	325308-1	=	
47	774670-1	=	
48	325326-1	=	A = 612 mm
	325326-8	=	A = 806 mm
49	774877-3	=	A = 612 mm (including / comprend / beinhaltet / inclusief 44, 46, 48)
	774877-4	=	A = 806 mm (including / comprend / beinhaltet / inclusief 44, 46, 48)
50	774885-1	774885-2	A = 612 mm
	774885-3	774885-4	A = 806 mm
	774885-5	774885-6	A = 612 mm (only / seulement / nur / maar R module / Modul)
	774885-13	774885-14	A = 806 mm (only / seulement / nur / maar R module / Modul)
51	774876-1	774876-3	A = 612 mm (including / comprend / beinhaltet / inclusief 44, 46, 50)
	774876-2	774876-4	A = 806 mm (including / comprend / beinhaltet / inclusief 44, 46, 50)
	774876-5	774876-6	A = 612 mm (including / comprend / beinhaltet / inclusief 44, 46, 50) (only / seulement / nur / maar R module / Modul)
	774876-13	774876-14	A = 806 mm (including / comprend / beinhaltet / inclusief 44, 46, 50) (only / seulement / nur / maar R module / Modul)
52	325301-1	=	A = 612 mm
	325301-3	=	A = 806 mm



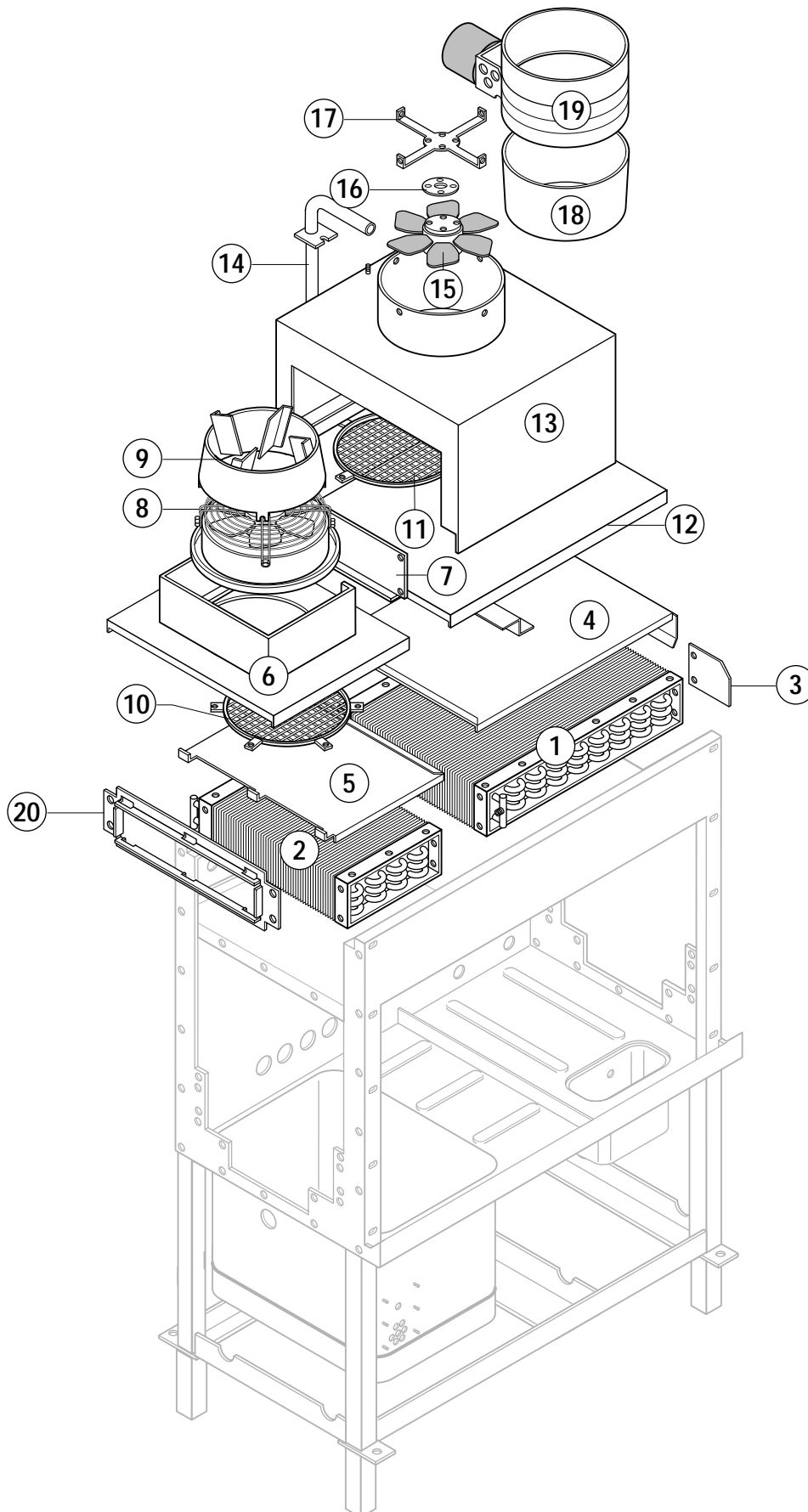




**A** conveyor width  
largeur du convoyeur  
Bandbreite  
bandbreedte

**B** usable height  
hauteur de passage  
Durchlaufhöhe  
doorvoerhoogte

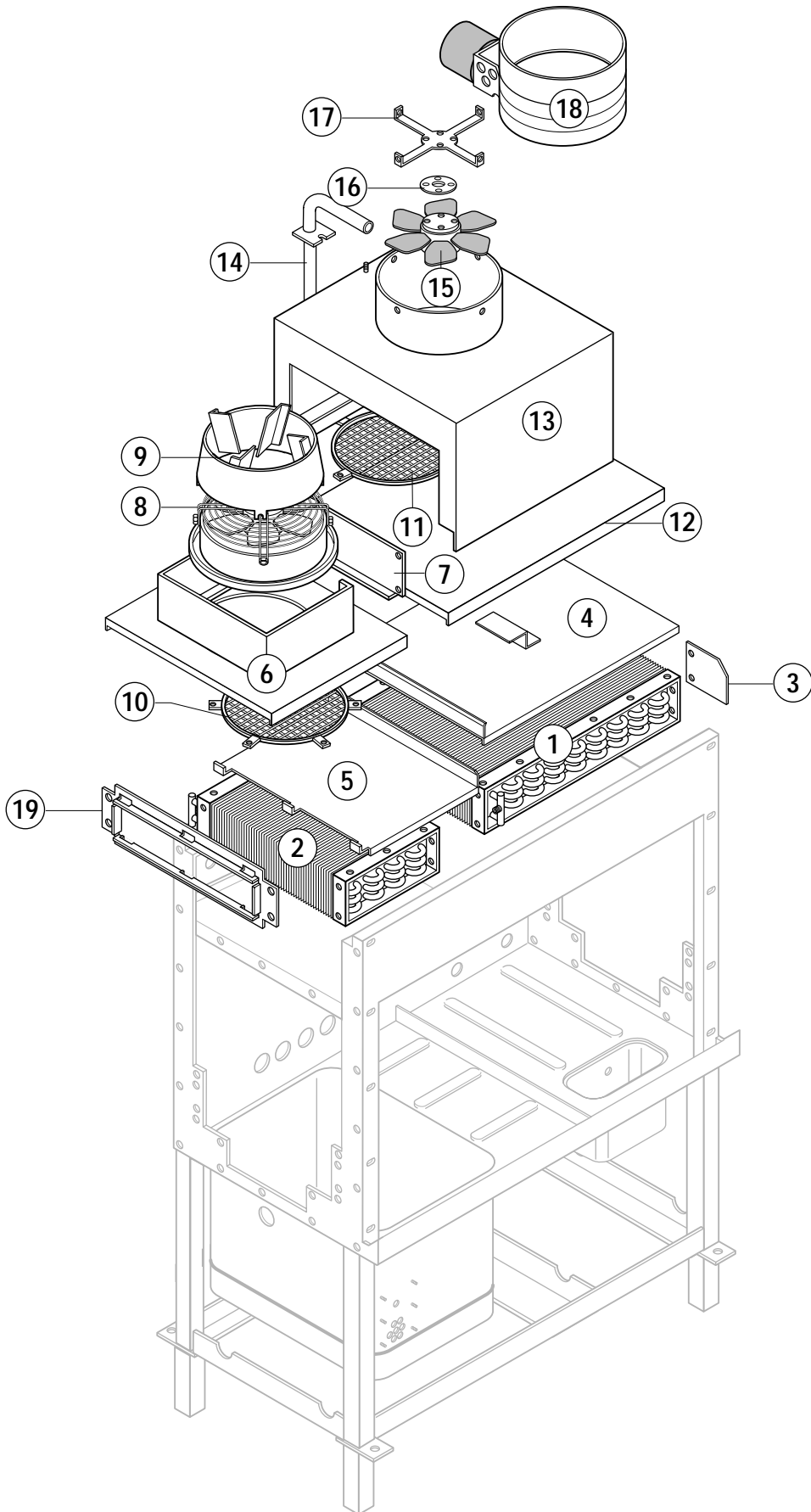
Pos.	L/R G/D	R/L D/G	Specifications / Spécification / Angaben / Opgaven
53	325326-2	=	A = 612 mm
	325326-9	=	A = 806 mm
54	774877-1	=	A = 612 mm (including / comprend / beinhaltet / inclusief 45, 46, 53)
	774877-2	=	A = 806 mm (including / comprend / beinhaltet / inclusief 45, 46, 53)
55	784304-1	=	
56	774692-1	=	
57	774703-1	=	
58	774697-1	=	
59	602507	=	
60	324858-1	=	
61	324402-5	=	
62	168611-9	=	
63	297808-1	=	
64	775005-1	774933-1	A = 612 mm
	775005-2	774933-2	A = 806 mm
65	775207-1	775229-1	



Pos.	L/R G/D	R/L D/G	Specifications / Spécification / Angaben / Opgaven
1	325531-1	=	A = 612 mm
	325531-2	=	A = 806 mm
	325758-1	=	A = 612 mm (sst, inox, Cr-Ni)
	325758-2	=	A = 806 mm (sst, inox, Cr-Ni)
02	325810-1	=	A = 612 mm
	325810-2	=	A = 806 mm
	325759-1	=	A = 612 mm (sst, inox, Cr-Ni)
	325759-2	=	A = 806 mm (sst, inox, Cr-Ni)
03	325574-1	=	
04	325588-1	325588-3	A = 612 mm
	325588-2	325588-4	A = 806 mm
05	784217-1	=	A = 612 mm
	784217-2	=	A = 806 mm
06	325339-1	=	A = 612 mm
	325339-2	=	A = 806 mm
07	325679-1	=	A = 612 mm
	325679-2	=	A = 806 mm
08	325611-...	=	A = 612 mm see wiring diagramme / voir schéma de cablage / siehe Schaltplan / zie elektrisch schema
	325871-...	=	A = 806 mm see wiring diagramme / voir schéma de cablage / siehe Schaltplan / zie elektrisch schema
09	325806-1	=	A = 612 mm
	325806-2	=	A = 806 mm
10	325612-1	=	A = 612 mm
	325612-3	=	A = 806 mm
11	325612-2	=	
12	325044-1	=	A = 612 mm
	325044-9	=	A = 806 mm
13	325405-1	=	A = 612 mm
	325405-2	=	A = 806 mm
14	325957-1	=	
15	774949-...	=	see wiring diagramme / voir schéma de cablage / siehe Schaltplan / zie elektrisch schema
16	324056	=	
17	325441-1	=	
18	300554	=	
19	300553-...	=	see wiring diagramme = voir schéma de cablage / siehe Schaltplan / zie elektrisch schema
20	325571-1	=	A = 612 mm
	325571-2	=	A = 806 mm
	782327-1	=	A = 612 mm (with/avec/mit/met; sst, inox, Cr-Ni condensers)
	782327-2	=	A = 806 mm (with/avec/mit/met; sst, inox, Cr-Ni condensers)

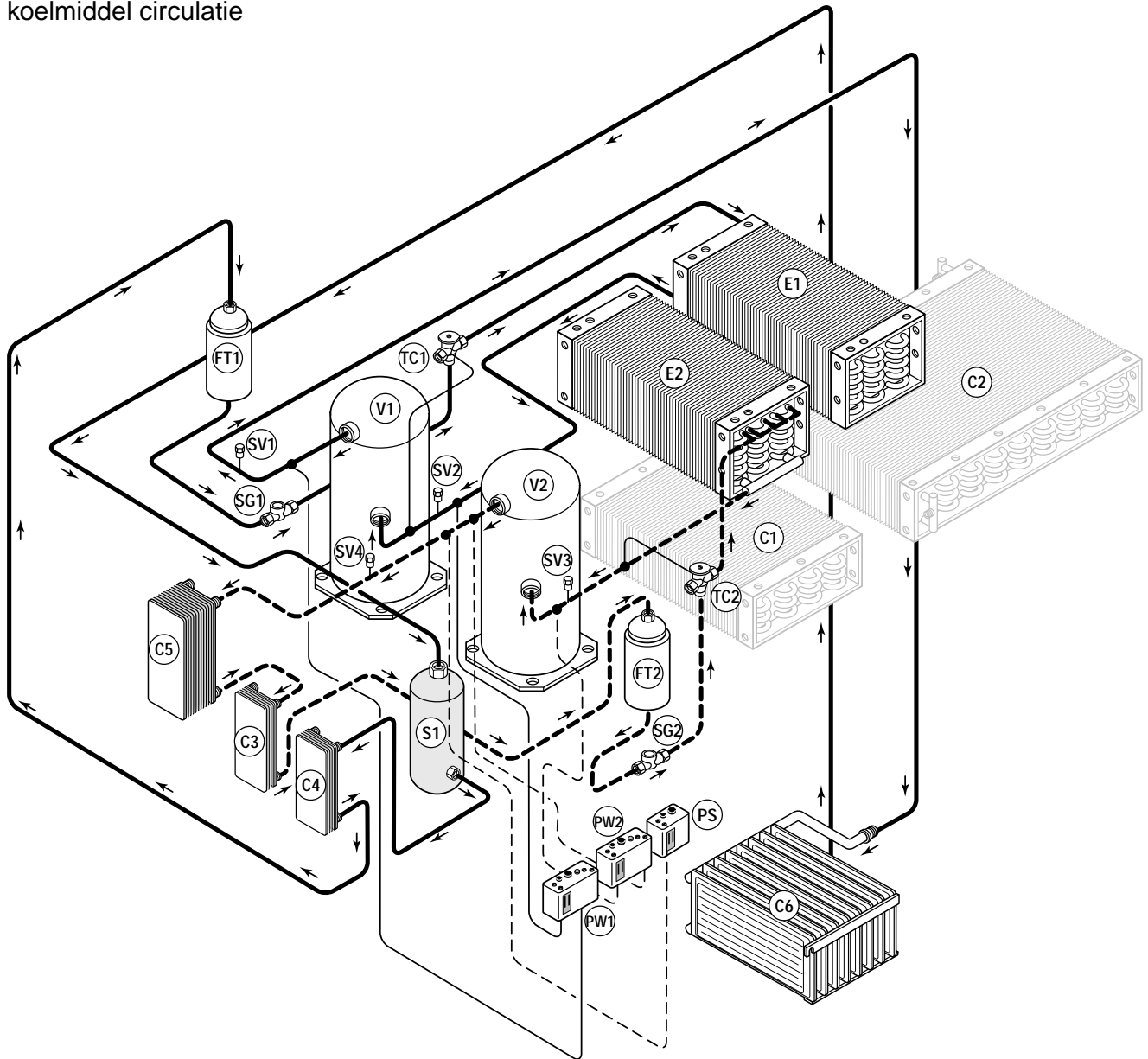
# **FTN**

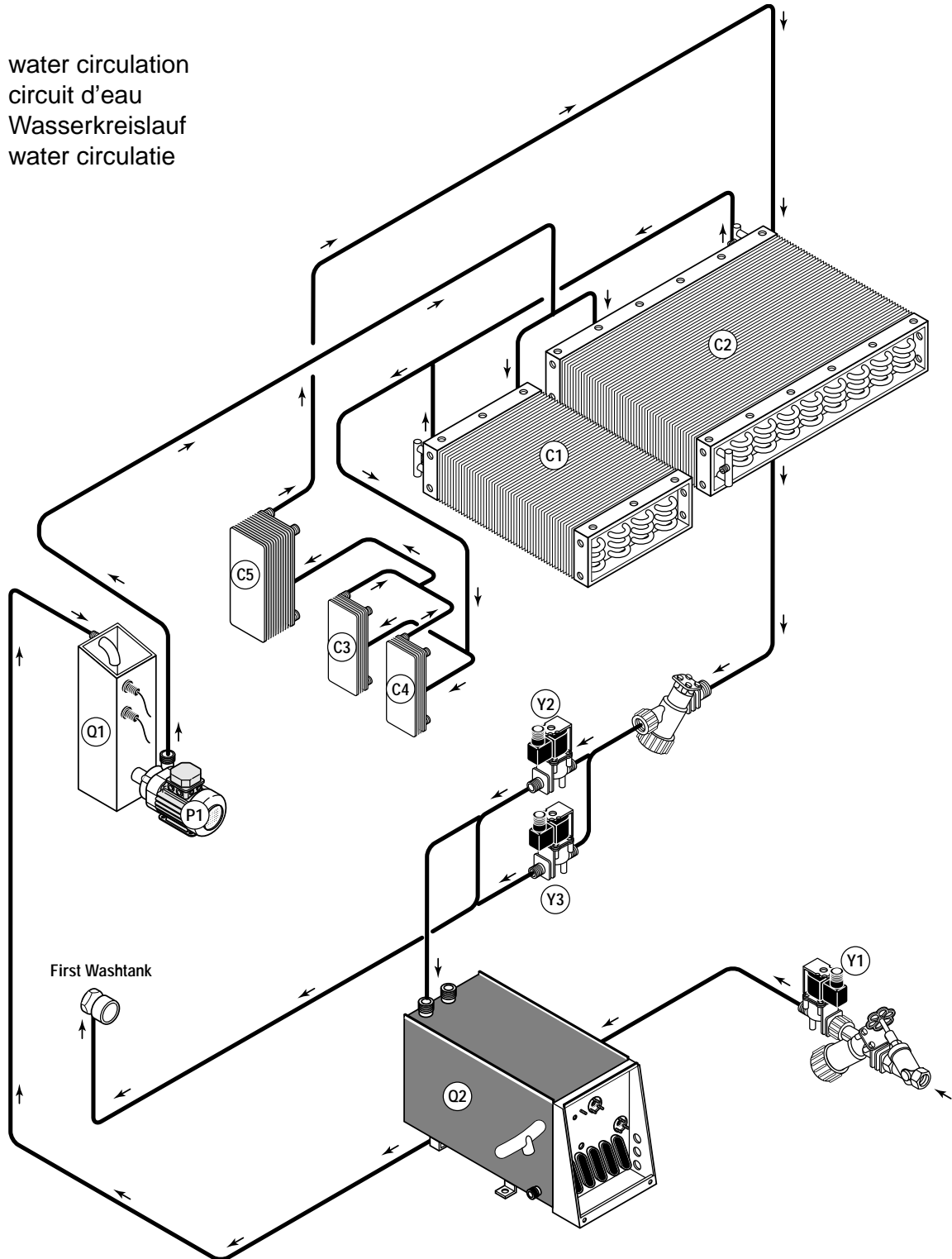
**Condensers (new version)**  
**Condenseurs (version nouveau)**  
**Kondensatoren (neue version)**  
**Kondensors (nieuwe versie)**



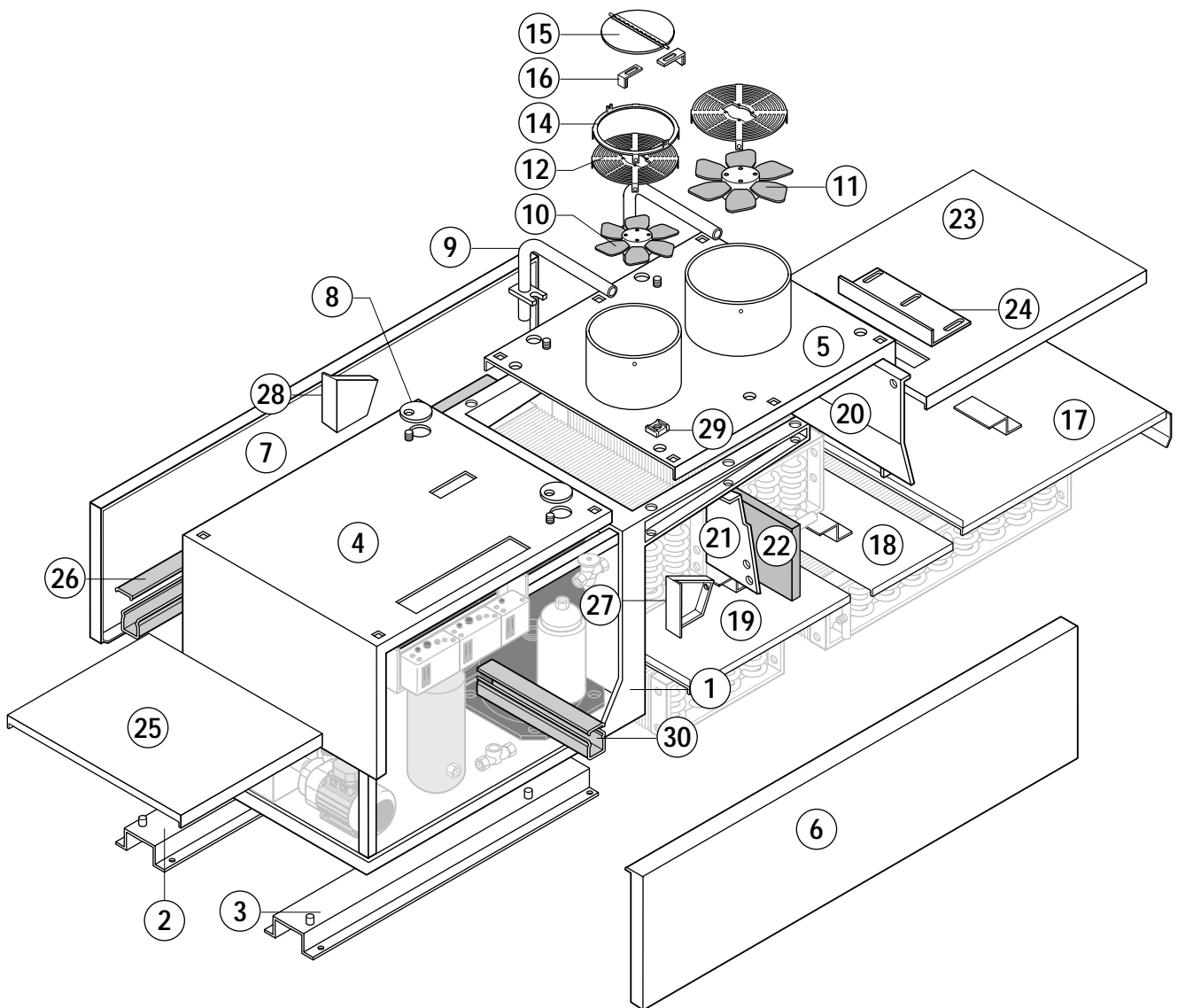
Pos.	L/R G/D	R/L D/G	Specifications / Spécification / Angaben / Opgaven
1	325531-1	=	A = 612 mm
	325531-2	=	A = 806 mm
	325758-1	=	A = 612 mm (sst, inox, Cr-Ni)
	325758-2	=	A = 806 mm (sst, inox, Cr-Ni)
02	325810-1	=	A = 612 mm
	325810-2	=	A = 806 mm
	325759-1	=	A = 612 mm (sst, inox, Cr-Ni)
	325759-2	=	A = 806 mm (sst, inox, Cr-Ni)
03	325574-1	=	
04	784298-1	=	A = 612 mm
	784298-2	=	A = 806 mm
05	784217-1	=	A = 612 mm
	784217-2	=	A = 806 mm
06	325339-1	=	A = 612 mm
	325339-2	=	A = 806 mm
07	325679-1	=	A = 612 mm
	325679-2	=	A = 806 mm
08	325611-...	=	A = 612 mm see wiring diagramme / voir schéma de cablage / siehe Schaltplan / zie elektrisch schema
	325871-...	=	A = 806 mm see wiring diagramme / voir schéma de cablage / siehe Schaltplan / zie elektrisch schema
09	325806-1	=	A = 612 mm
	325806-2	=	A = 806 mm
10	325612-1	=	A = 612 mm
	325612-3	=	A = 806 mm
11	325612-2	=	
12	325044-1	=	A = 612 mm
	325044-9	=	A = 806 mm
13	325405-1	=	A = 612 mm
	325405-2	=	A = 806 mm
14	325957-1	=	
15	774949-...	=	see wiring diagramme / voir schéma de cablage / siehe Schaltplan / zie elektrisch schema
16	324056	=	
17	325441-1	=	
18	296927-...	=	see wiring diagramme = voir schéma de cablage / siehe Schaltplan / zie elektrisch schema
19	325571-1	=	A = 612 mm
	325571-2	=	A = 806 mm

refrigerant circulation  
circuit de frigène  
Kältemittelkreislauf  
koelmiddel circulatie







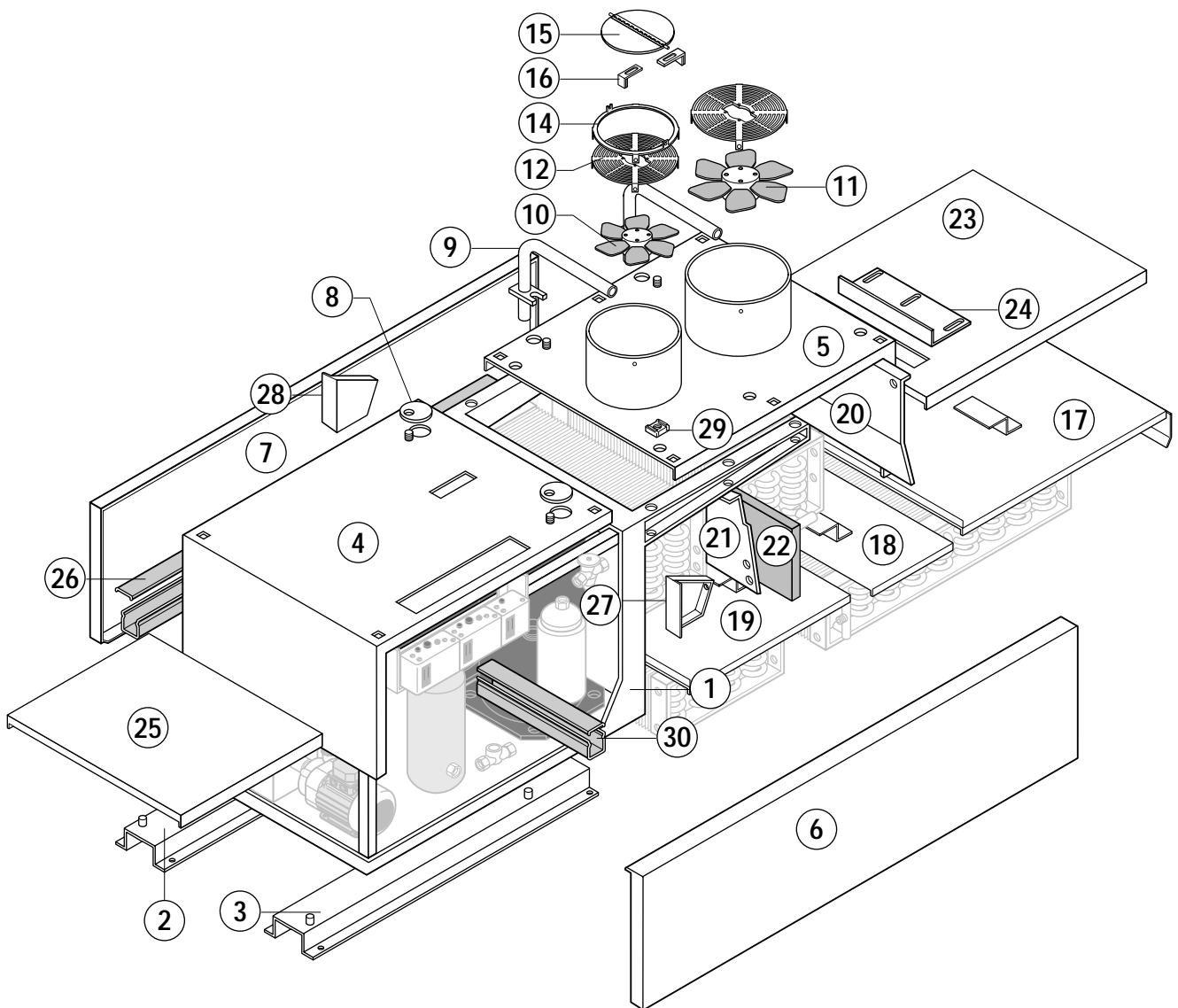




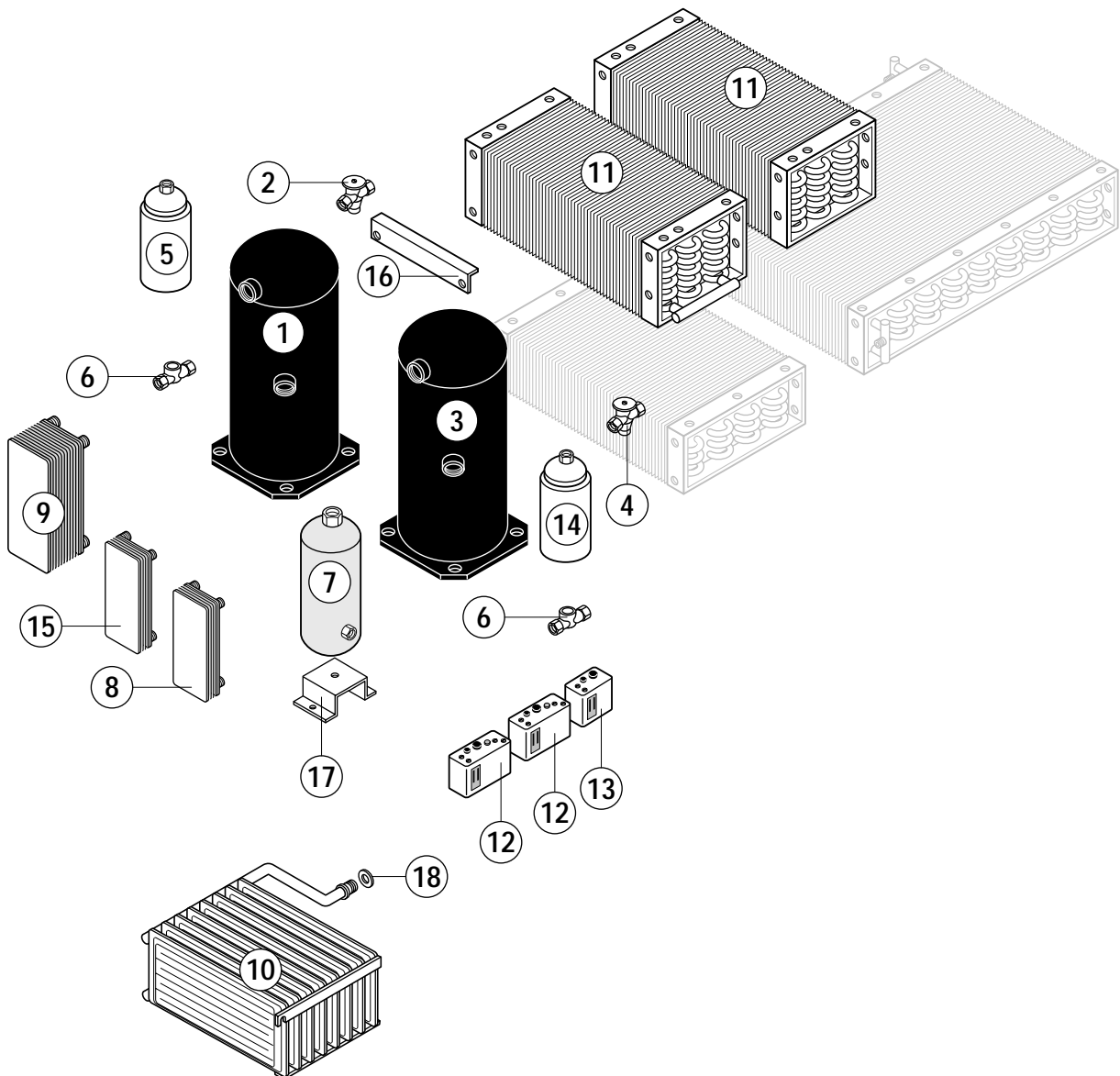
**A** conveyor width  
largeur du convoyeur  
Bandbreite  
bandbreedte

**B** usable height  
hauteur de passage  
Durchlaufhöhe  
doorvoerhoogte

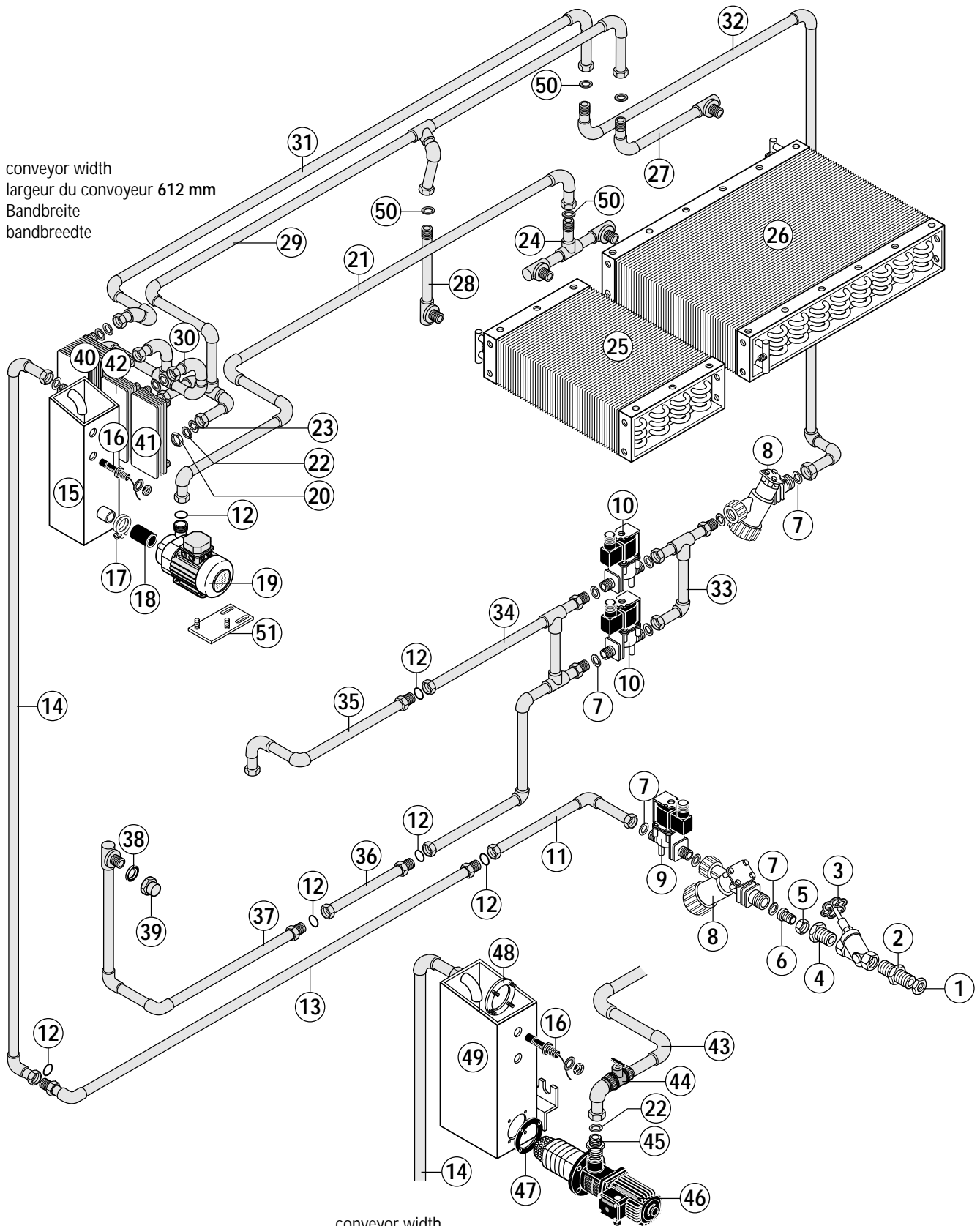
Pos.	L/R G/D	R/L D/G	Specifications / Spécification / Angaben / Opgaven
01	325816-1	325816-2	A = 612 mm
	325816-3	325816-4	A = 806 mm
02	325818-1	325818-2	
03	325818-2	325818-1	
04	325954-1	325954-2	A = 612 mm
	325954-3	325954-4	A = 806 mm
05	325822-1	325822-2	A = 612 mm
	325822-3	325822-4	A = 806 mm
06	325823-1	=	
07	325824-1	325824-2	
08	325955-1	=	
09	325861-2	=	A = 612 mm
	325861-3	=	A = 806 mm
10	775078-1	=	A = 612 mm
	775079-1	=	A = 806 mm
11	775079-1	=	
12	325803-1	=	A = 612 mm
	325857-1	=	A = 806 mm
13	325857-1	=	
14	325768-1	=	A = 612 mm
	325858-1	=	A = 806 mm
15	325960-1	=	A = 612 mm
	325960-2	=	A = 806 mm
16	325975-1	=	
17	325588-5	325588-7	A = 612 mm
	325588-6	325588-8	A = 806 mm
18	325745-1	=	A = 612 mm
	325745-2	=	A = 806 mm
19	325744-1	=	A = 612 mm
	325744-2	=	A = 806 mm
20	325804-1	=	A = 612 mm
	325804-2	=	A = 806 mm
21	325805-1	=	A = 612 mm
	325805-2	=	A = 806 mm
22	325862-1	=	A = 612 mm
	325862-2	=	A = 806 mm
23	325746-1	=	A = 612 mm
	325746-2	=	A = 806 mm
24	325747-1	=	A = 612 mm
	325747-2	=	A = 806 mm
25	325753-1	=	A = 612 mm (only with / seulement avec / nur bei / maar met 1-3 E ; HP-A/B/C)
	325753-2	=	A = 806 mm (only with / seulement avec / nur bei / maar met 1-3 E ; HP-A/B/C)
	325753-3	=	A = 612 mm (only with / seulement avec / nur bei / maar met 1-3 L ; HP-A)
	325753-4	=	A = 806 mm (only with / seulement avec / nur bei / maar met 1-3 L ; HP-A)
	325753-5	=	A = 612 mm (only with / seulement avec / nur bei / maar met 1-3 S ; HP-A)
	325753-6	=	A = 806 mm (only with / seulement avec / nur bei / maar met 1-3 S ; HP-A)
	325753-7	=	A = 612 mm (only with / seulement avec / nur bei / maar met 1-3 S ; HP-B)
	325753-8	=	A = 806 mm (only with / seulement avec / nur bei / maar met 1-3 S ; HP-B)
	325753-9	=	A = 612 mm (only with / seulement avec / nur bei / maar met 1-3 L ; HP-B)
	325753-10	=	A = 806 mm (only with / seulement avec / nur bei / maar met 1-3 L ; HP-B)









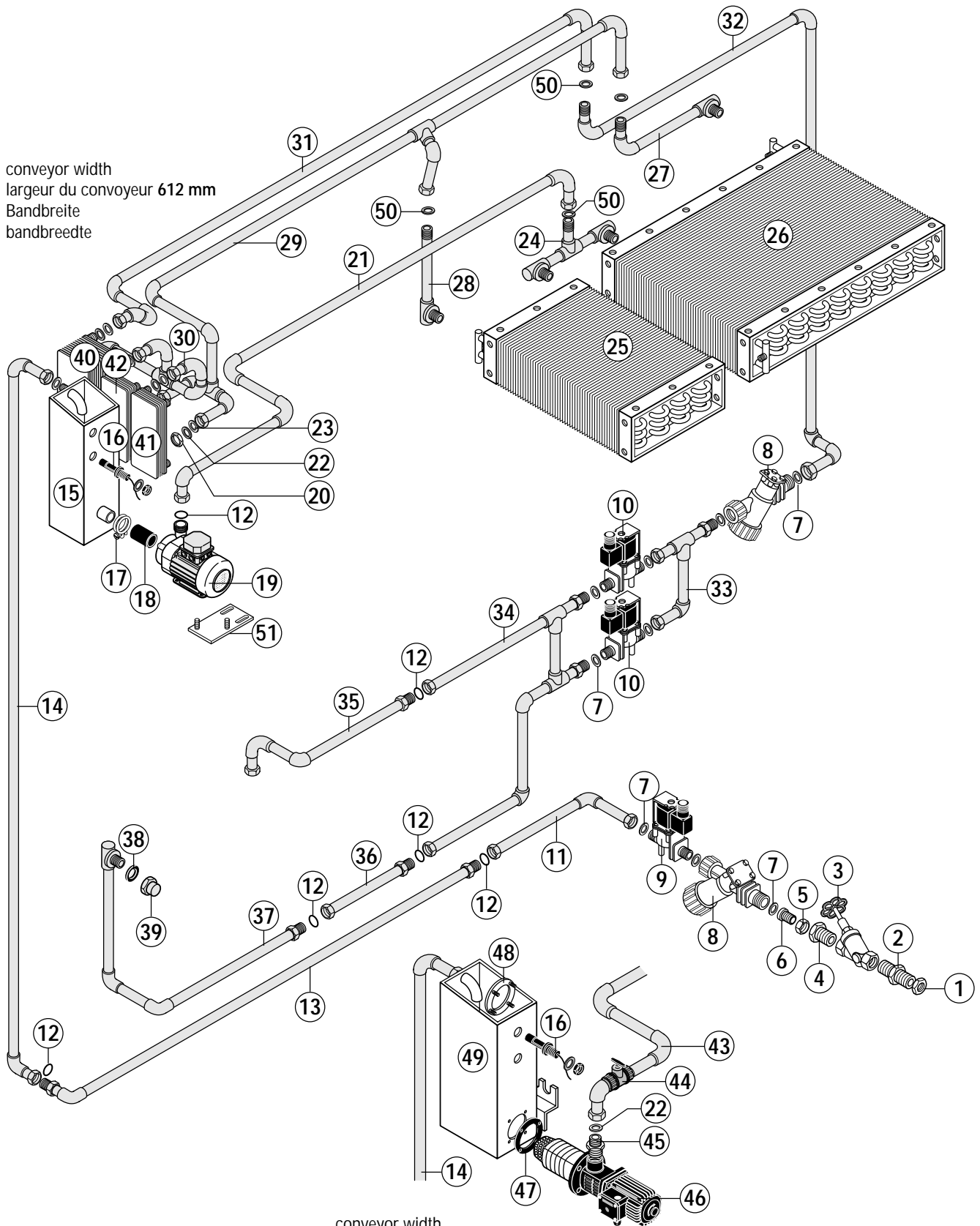


conveyor width  
 largeur du convoyeur 612 mm  
 Bandbreite  
 bandbreedte

conveyor width  
 largeur du convoyeur 806 mm  
 Bandbreite  
 bandbreedte

Pos.	L/R G/D	R/L D/G	Specifications / Spécification / Angaben / Opgaven
01	172739-2	=	
02	227931	=	
03	774844-1	=	
04	603073	=	
05	602402	=	
06	602407	=	
07	168611-9	=	
08	774810-1	=	
09	297808-7	=	A = 612 mm
	297808-11	=	A = 806 mm
10	297808-1	=	
11	774881-1	=	A = 612 mm (with drier DL / avec séchage DL / mit Trocknung DL / met drooging DL)
	774881-2	=	A = 806 mm (with drier DL / avec séchage DL / mit Trocknung DL / met drooging DL)
	774881-9	=	A = 612 mm (with drier DS / avec séchage DS / mit Trocknung DS / met drooging DS)
	774881-8	=	A = 806 mm (with drier DS / avec séchage DS / mit Trocknung DS / met drooging DS)
12	67500-72	=	
13	775061-3	775061-1	
	775061-2		(only HP-A with L-pretwash / seulement HP-A avec L-pré-lavage / nur HP-A mit L-Vorwaschung / allen HP-A met L-voorwasing)
14	775110-1	775062-1	A = 612 mm / B = 440 mm
	775110-2	775062-2	A = 612 mm / B = 560 mm
	775110-3	775062-3	A = 806 mm / B = 440 mm
	775110-4	775062-4	A = 806 mm / B = 560 mm
	775126-1	775125-1	B = 440 mm (only HP-A with L-pretwash / seulement HP-A avec L-pré-lavage / nur HP-A mit L-Vorwaschung / allen HP-A met L-voorwasing)
	775126-2	775125-2	B = 560 mm (only HP-A with L-pretwash / seulement HP-A avec L-pré-lavage / nur HP-A mit L-Vorwaschung / allen HP-A met L-voorwasing)
15	325809-1	325809-2	A = 612 mm
16	774033-1	=	
17	323945-40	=	A = 612 mm
18	325757-1	=	A = 612 mm
19	774908-...	=	A = 612 mm see wiring diagram / voir schéma de cablage / siehe Schaltplan / zie elektrisch schema
20	172739-8	=	
21	775094-1	775069-1	A = 612 mm
22	172986-3	=	
23	696936-19	=	
24	775067-1	=	
25	325810-1	=	A = 612 mm
	325810-2	=	A = 806 mm
	325759-1	=	A = 612 mm (sst, inox, Cr-Ni)
	325759-2	=	A = 806 mm (sst, inox, Cr-Ni)
26	325531-1	=	A = 612 mm
	325531-2	=	A = 806 mm
	325758-1	=	A = 612 mm (sst, inox, Cr-Ni)
	325758-2	=	A = 806 mm (sst, inox, Cr-Ni)





conveyor width  
 largeur du convoyeur 612 mm  
 Bandbreite  
 bandbreedte

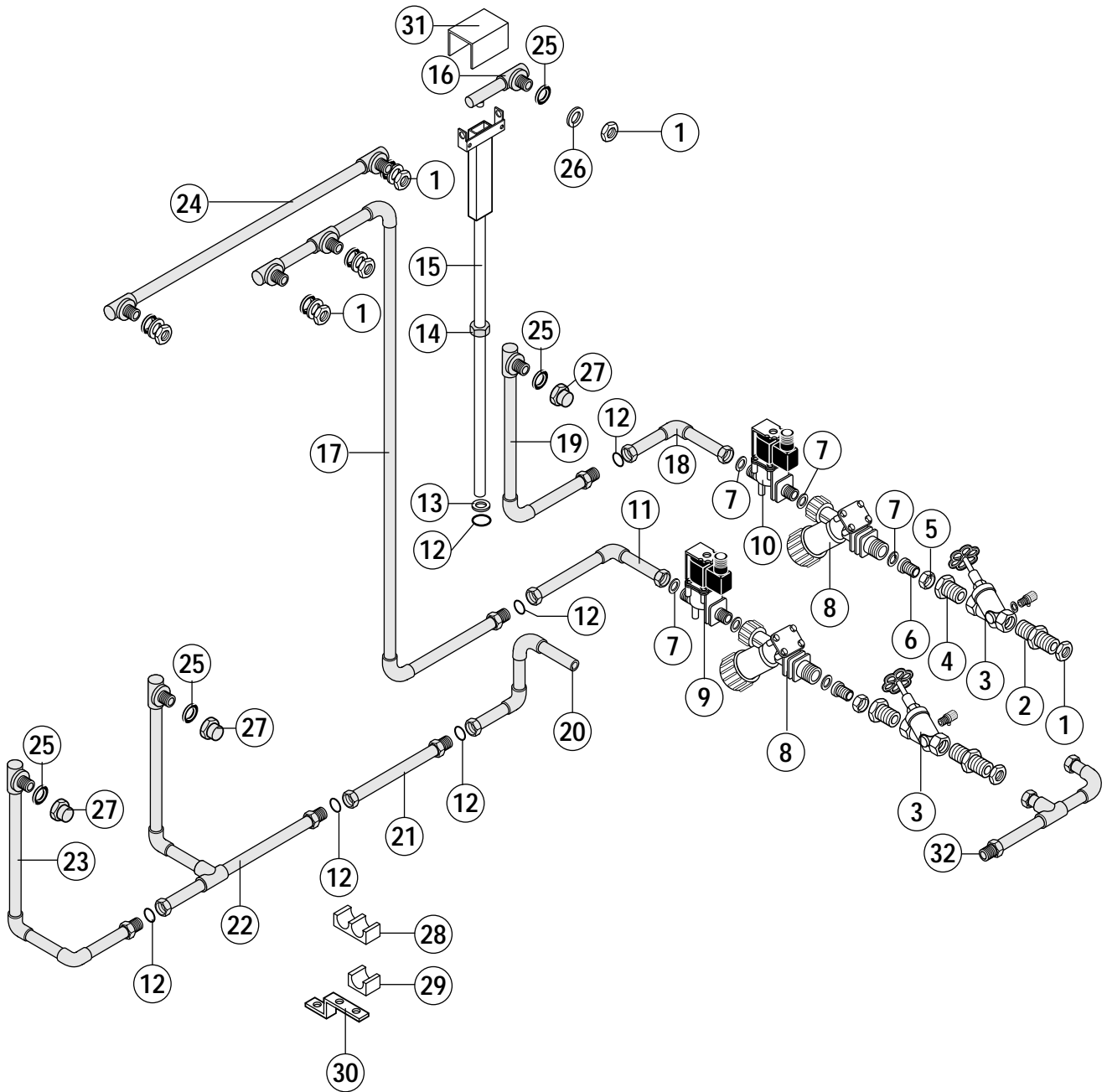
conveyor width  
 largeur du convoyeur 806 mm  
 Bandbreite  
 bandbreedte



**A** conveyor width  
 largeur du convoyeur  
 Bandbreite  
 bandbreedte

**B** usable height  
 hauteur de passage  
 Durchlaufhöhe  
 doorvoerhoogte

Pos.	L/R G/D	R/L D/G	Specifications / Spécification / Angaben / Opgaven
27	775098-1	775060-1	
28	775097-1	=	
29	775093-1	775058-1	
30	775092-1	775087-1	
31	775095-1	775073-1	
32	775108-1	775064-1	B = 440 mm
	775108-3	775064-3	B = 560 mm
33	775089-1	=	
34	775065-1	=	
35	775099-1	775066-1	
36	774879-1	=	length / longueur / Länge / lengte = 900 mm
	774879-2	=	length / longueur / Länge / lengte = 790 mm
	774879-3	=	length / longueur / Länge / lengte = 1 400 mm
	774879-4	=	length / longueur / Länge / lengte = 650 mm
	774879-5	=	length / longueur / Länge / lengte = 1 290 mm
37	775109-1	775068-1	(HP-A / HP-B with L-prewash / HP-A / HP-B avec L-prélavage / HP-A / HP-B mit L-Vorwaschung / HP-A / HP-B met L-voorwasing)
	775109-3	775068-1	(HP-A / HP-B with S-prewash / HP-A / HP-B avec S-prélavage / HP-A / HP-B mit S-Vorwaschung / HP-A / HP-B met S-voorwasing)
	775109-2	775068-1	(HP-C with S or L-prewash / HP-C avec S ou L-prélavage / HP-C mit S oder L-Vorwaschung / HP-C met S of L-voorwasing)
38	172986-27	=	
39	774670-1		
40	323456-3		
41	323456-1		
42	323456-1	=	A = 612 mm
	323456-2	=	A = 806 mm
43	775194-1	775193-1	A = 806 mm
44	775192-1	=	A = 806 mm
45	227931	=	A = 806 mm
46	775189-1	=	A = 806 mm
47	775187-1	=	A = 806 mm
48	325905-1	=	A = 806 mm
49	325901-1	325901-2	A = 806 mm
50	67500-8	=	
51	325825-1		

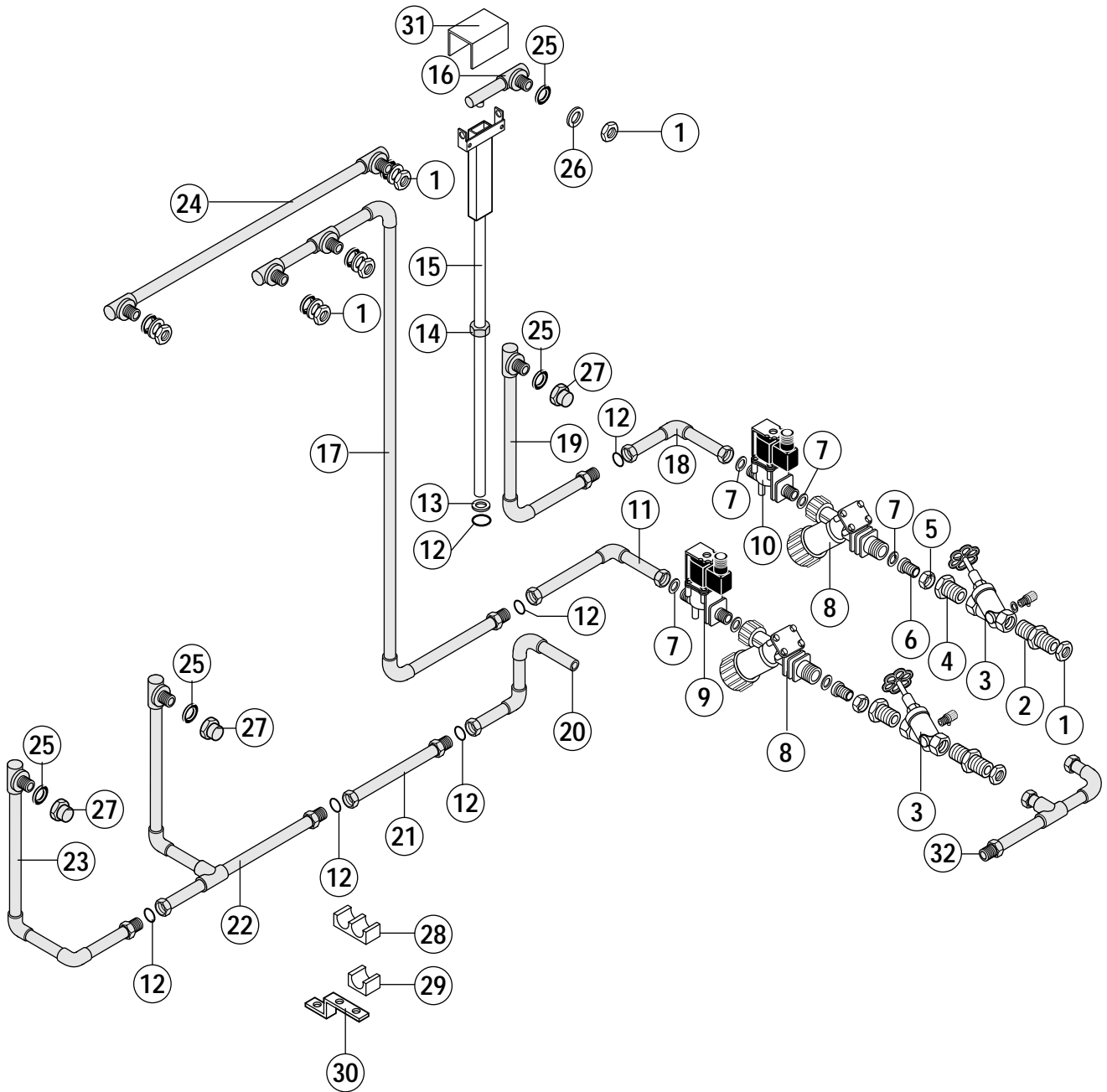




**A** conveyor width  
largeur du convoyeur  
Bandbreite  
bandbreedte

**B** usable height  
hauteur de passage  
Durchlaufhöhe  
doorvoerhoogte

Pos.	L/R G/D	R/L D/G	Specifications / Spécification / Angaben / Opgaven
01	172739-2	=	
02	227931	=	
03	774844-1	=	
04	603073	=	
05	602402	=	
06	602407	=	
07	168611-9	=	
08	774810-1	=	
09	297808-10	=	
10	734242-3	=	
11	?	?	(No. see page 5 / No. voir page 5 / Nr. siehe Seite 5 / No. zie bladzijde 5)
12	67500-72	=	
13	228694-15	=	
14	600538	=	
15	774821-1	=	B = 440 mm
	774821-2	=	B = 560 mm
16	774827-1	774936-1	
	774936-2	774827-2	(only / seulement / nur / maar R-module)
17	774890-1	774864-1	B = 440 mm
	774890-2	774864-2	B = 560 mm
18	774881-5	=	A = 612 mm (with drier DL / avec séchage DL / mit Trocknung DL / met drooging DL)
	774881-4	=	A = 806 mm (with drier DL / avec séchage DL / mit Trocknung DL / met drooging DL)
	774881-10	=	A = 612 mm (with drier DS / avec séchage DS / mit Trocknung DS / met drooging DS)
	774881-7	=	A = 806 mm (with drier DS / avec séchage DS / mit Trocknung DS / met drooging DS)
	774881-10	=	A = 612 mm (with drier DE 2 / avec séchage DE 2 / mit Trocknung DE 2 / met drooging DE 2)
	774881-18	=	A = 612 mm (with drier DE 3 / avec séchage DE 3 / mit Trocknung DE 3 / met drooging DE 3)
	774881-19	=	A = 612 mm (with drier DE 4 / avec séchage DE 4 / mit Trocknung DE 4 / met drooging DE 4)
19	774891-1	774865-1	
20	774976-1	774929-1	A = 612 mm
	774976-2	774929-2	A = 806 mm
21	774879-1	=	length / longuer / Länge / lengte = 900 mm
	774879-2	=	length / longuer / Länge / lengte = 790 mm
	774879-3	=	length / longuer / Länge / lengte = 1 400 mm
	774879-4	=	length / longuer / Länge / lengte = 650 mm
22	774964-1	774937-3	
23	774893-3	774920-1	only / seulement / nur / maar S-module without Heat pump; sans pompe à chaleur ohne Wärmepumpe; zonder Warmtepomp
	774893-4	774920-1	only / seulement / nur / maar L-module without Heat pump; sans pompe à chaleur ohne Wärmepumpe; zonder Warmtepomp
	774893-1	774920-3	only / seulement / nur / maar S-module with Heat pump; avec pompe à chaleur mit Wärmepumpe; met Warmtepomp
	774893-2	774920-3	only / seulement / nur / maar L-module with Heat pump; avec pompe à chaleur mit Wärmepumpe; met Warmtepomp
24	774856-1	=	



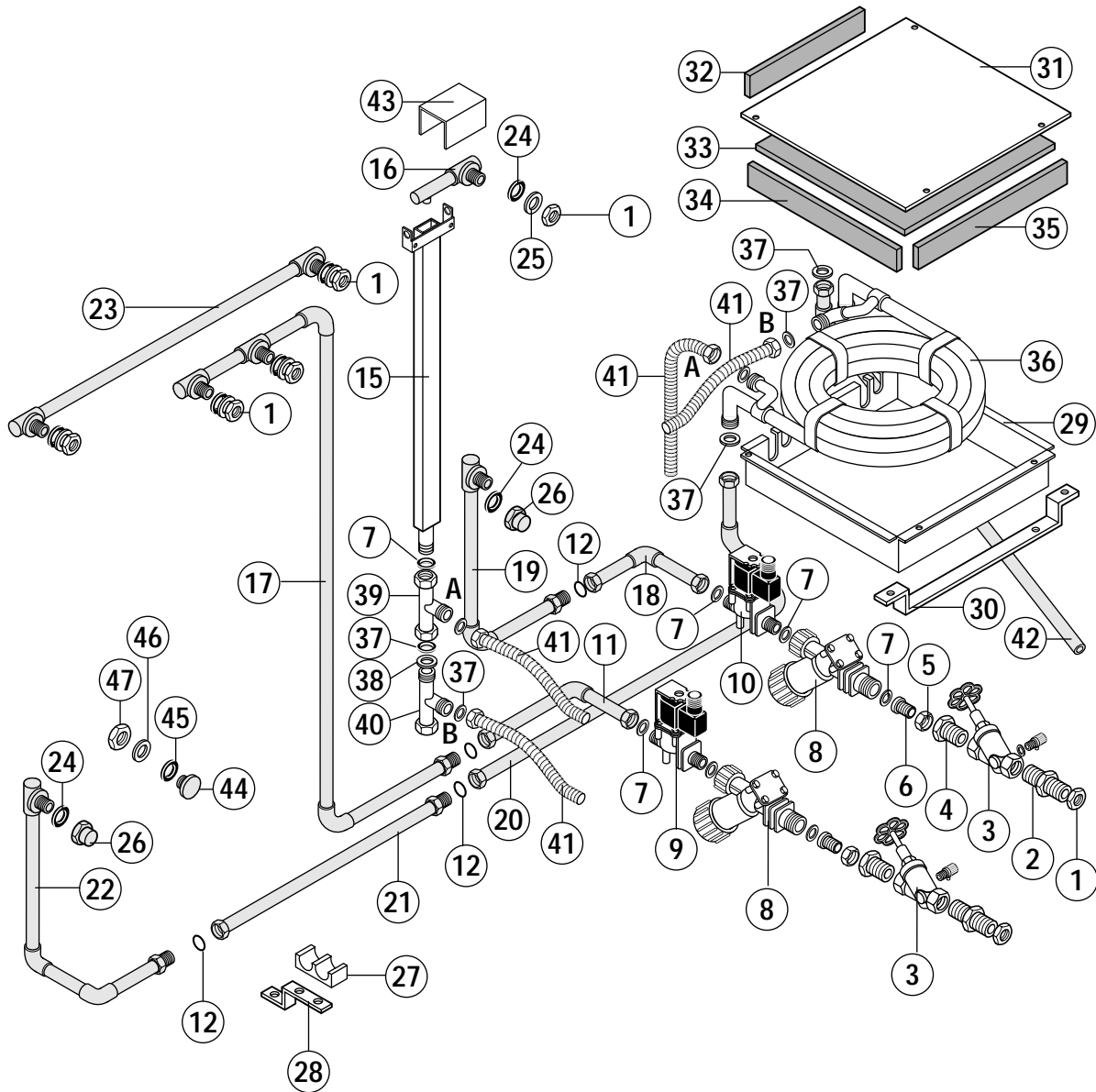


**A** conveyor width  
largeur du convoyeur  
Bandbreite  
bandbreedte

**B** usable height  
hauteur de passage  
Durchlaufhöhe  
doorvoerhoogte

Pos.	L/R G/D	R/L D/G	Specifications / Spécification / Angaben / Opgaven									
25	172986-27	=										
26	696936-18	=										
27	774670-1	=										
28	600565	=										
29	228810-2	=										
30	325302-1	=										
31	775048-1	=										
32	775112-1	=										
			width largeur Breite breedte		heat recovery récupération thermique Wärmerückgewinnung warmte herwinning			drier or exit séchage ou déchargement Trocknung oder Auslauf droging of sektie				
			612	806	none non keine geen	C 41 — C 50	HP	DE 2 — 2	DE 3 — 3	DE 4 — 4	DL	DS
11	774881-1	=	.				.				.	
	774881-1	=	.		.						.	
	775155-9	775155-1	.			.					.	
	774881-2	=		.			.				.	
	774881-2	=		.	.						.	
	775155-10	775155-2		.		.					.	
	774881-9	=	.				.					.
	774881-9	=	.		.							.
	775155-12	775155-4	.			.						.
	774881-8	=		.			.					.
	774881-8	=		.	.							.
	775155-11	775155-3		.		.						.
	775155-17	775155-18	.			.		.				
	775155-15	775155-7	.			.			.			
	775155-16	775155-8	.			.				.		
	774881-9	=	.				.	.				
	774881-9	=	.		.			.				
	774881-17	=	.				.		.			
	774881-17	=	.		.				.			
	774881-20	=	.				.			.		
	774881-20	=	.		.					.		

14.1 – Pipework (without E) / Tuyauterie (sans E) / Verrohrung (ohne E) / Pijpleiding (zonder E)



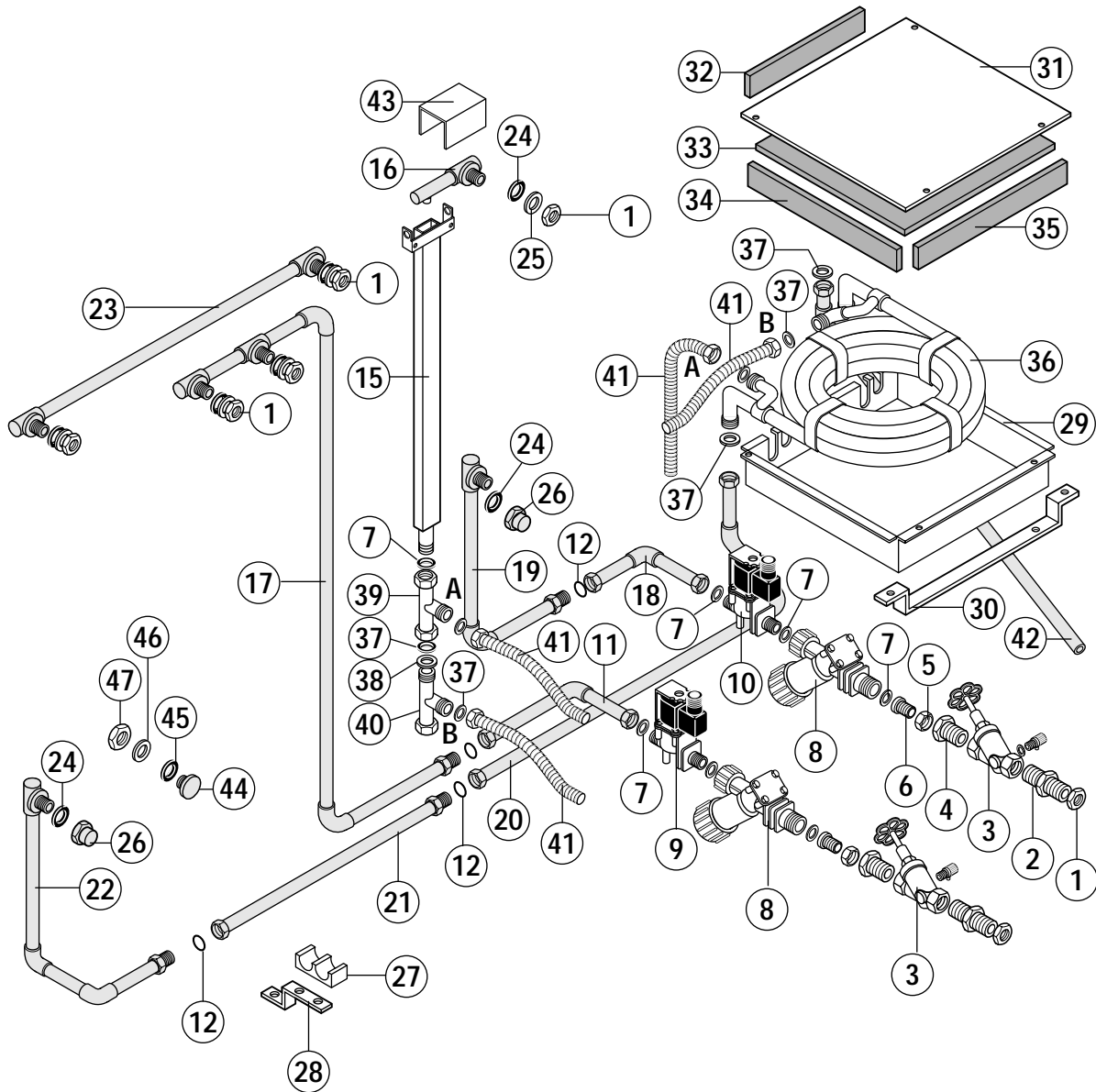


**A** conveyor width  
largeur du convoyeur  
Bandbreite  
bandbreedte

**B** usable height  
hauteur de passage  
Durchlaufhöhe  
doorvoerhoogte

Pos.	L/R G/D	R/L D/G	Specifications / Spécification / Angaben / Opgaven
01	172739-2	=	
02	227931	=	
03	774844-1	=	
04	603073	=	
05	602402	=	
06	602407	=	
07	168611-9	=	
08	774810-1	=	
09	297808-10	=	
10	734242-3	=	
11	?	?	(No. see page 11 / No. voir page 11 / Nr. siehe Seite 11 / No. zie bladzijde 11)
12	67500-72	=	
13	228694-15	=	
14	600538	=	
15	774887-1	=	B = 440 mm
	774887-2	=	B = 560 mm
16	774827-1	774936-1	
	774936-2	774827-2	(only / seulement / nur / maar R-module / -Modul)
17	774890-1	774864-1	B = 440 mm
	774890-2	774864-2	B = 560 mm
18	774881-5	=	A = 612 mm (with drier DL / avec séchage DL / mit Trocknung DL / met drooging DL)
	774881-4	=	A = 806 mm (with drier DL / avec séchage DL / mit Trocknung DL / met drooging DL)
	774881-10	=	A = 612 mm (with drier DS / avec séchage DS / mit Trocknung DS / met drooging DS)
	774881-7	=	A = 806 mm (with drier DS / avec séchage DS / mit Trocknung DS / met drooging DS)
	774881-10	=	A = 612 mm (with drier DE 2 / avec séchage DE 2 / mit Trocknung DE 2 / met drooging DE 2)
	774881-18	=	A = 612 mm (with drier DE 3 / avec séchage DE 3 / mit Trocknung DE 3 / met drooging DE 3)
	774881-19	=	A = 612 mm (with drier DE 4 / avec séchage DE 4 / mit Trocknung DE 4 / met drooging DE 4)
19	774891-1	774865-1	
20	774894-1	774921-1	
21	774879-1	=	length / longuer / Länge / lengte = 900 mm
	774879-2	=	length / longuer / Länge / lengte = 790 mm
	774879-3	=	length / longuer / Länge / lengte = 1 400 mm
	774879-4	=	length / longuer / Länge / lengte = 650 mm
22	774893-3	774920-1	only / seulement / nur / maar S-module without Heat pump; sans pompe à chaleur ohne Wärmepumpe; zonder Warmtepomp
	774893-4	774920-1	only / seulement / nur / maar L-module without Heat pump; sans pompe à chaleur ohne Wärmepumpe; zonder Warmtepomp
	774893-1	774920-3	only / seulement / nur / maar S-module with Heat pump; avec pompe à chaleur mit Wärmepumpe; met Warmtepomp
	774893-2	774920-3	only / seulement / nur / maar L-module with Heat pump; avec pompe à chaleur mit Wärmepumpe; met Warmtepomp
23	774856-1	=	
24	172986-27	=	
25	696936-18	=	



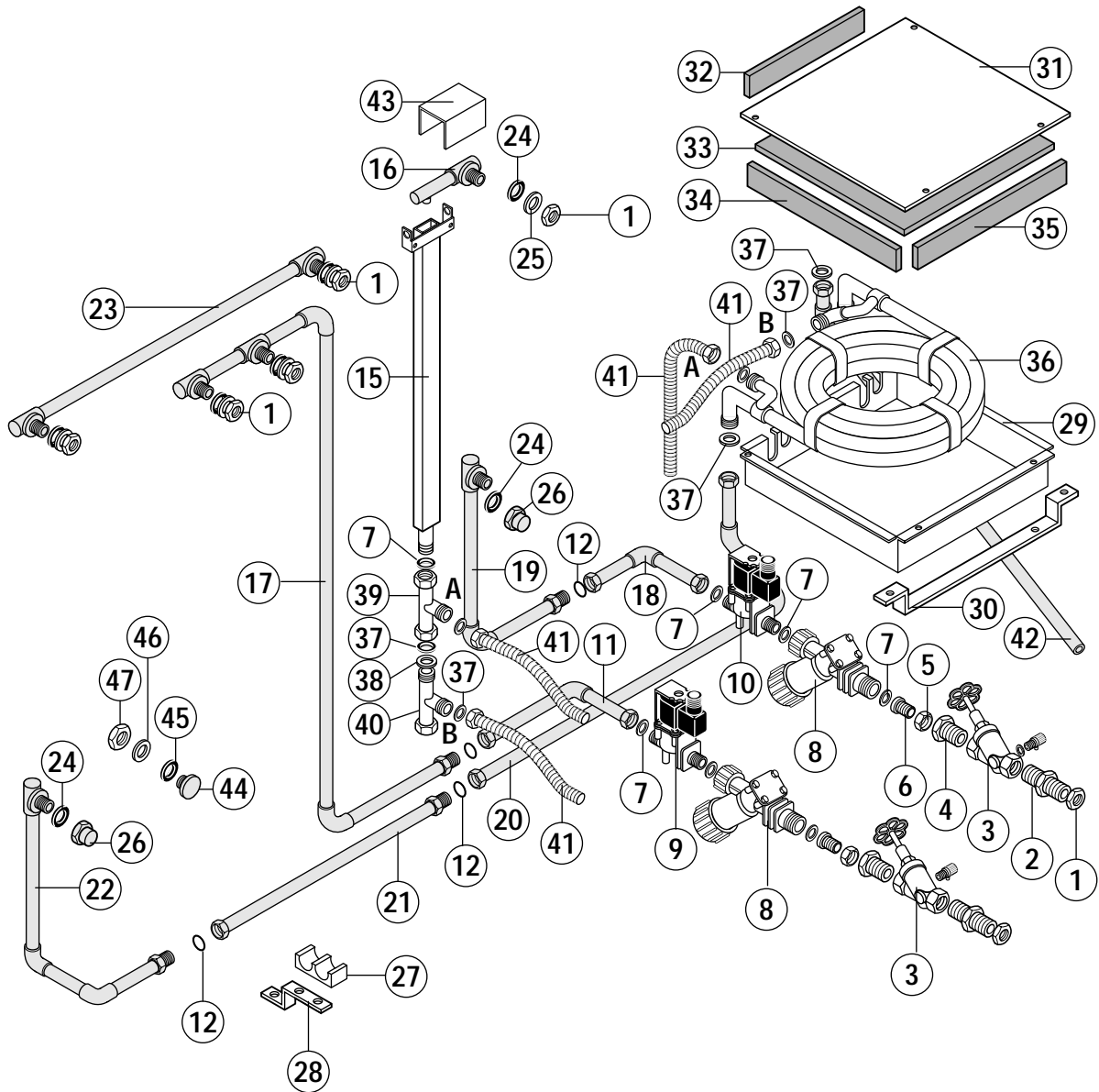




**A** conveyor width  
 largeur du convoyeur  
 Bandbreite  
 bandbreedte

**B** usable height  
 hauteur de passage  
 Durchlaufhöhe  
 doorvoerhoogte

Pos.	L/R G/D	R/L D/G	Specifications / Spécification / Angaben / Opgaven
26	774670-1	=	
27	600565	=	
28	325302-1	=	
29	774939-1	=	
30	325291-1	=	
31	774961-1	=	
32	323539-4	=	
33	323539-3	=	
34	323539-2	=	
35	323539-1	=	
36	774940-1	774970-1	
37	172986-3	=	
38	696936-17	=	(diaphragm / diaphragme / Blende / diafragma Ø 6,5 mm)
39	775029-1	=	
40	775026-1	=	
41	774941-1	=	
42	774895-1	774883-1	A = 612 mm
	774895-2	775141-1	A = 806 mm
43	775048-1	=	
44	775034-1	=	
45	172986-4	=	
46	696936-16	=	

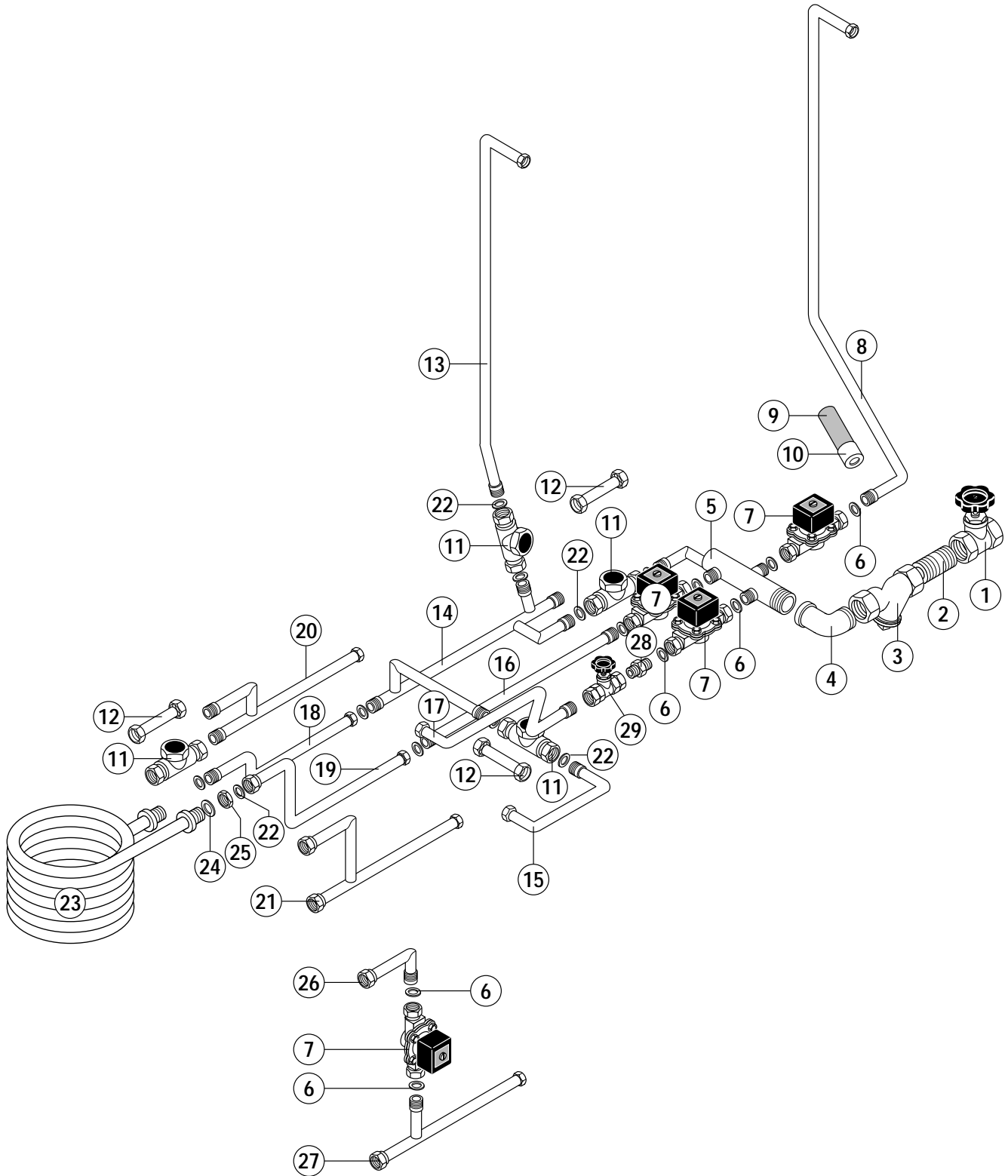




**A** conveyor width  
 largeur du convoyeur  
 Bandbreite  
 bandbreedte

**B** usable height  
 hauteur de passage  
 Durchlaufhöhe  
 doorvoerhoogte

Pos.	L/R G/D	R/L D/G	Specifications / Spécification / Angaben / Opgaven									
47	172739-2	=										
	width	heat recovery	drier or exit largeur Breite breedte		recupération thermique Wärmerückgewinnung warmte herwinning			séchage ou déchargement Trocknung oder Auslauf droging of sektie				
			612	806	none non keine geen	C 41 — C 50	HP	DE 2 — 2	DE 3 — 3	DE 4 — 4	DL	DS
11	774881-1	=	•				•				•	
	774881-1	=	•		•						•	
	775155-9	775155-1	•			•					•	
	774881-2	=		•			•				•	
	774881-2	=		•	•						•	
	775155-10	775155-2		•		•					•	
	774881-9	=	•				•					•
	774881-9	=	•		•							•
	775155-12	775155-4	•			•						•
	774881-8	=		•			•					•
	774881-8	=		•	•							•
	775155-11	775155-3		•		•						•
	775155-17	775155-18	•			•		•				
	775155-15	775155-7	•			•			•			
	775155-16	775155-8	•			•				•		
	774881-9	=	•				•	•				
	774881-9	=	•		•			•				
	774881-17	=	•				•		•			
	774881-17	=	•		•				•			
	774881-20	=	•				•			•		
774881-20	=		•			•				•		

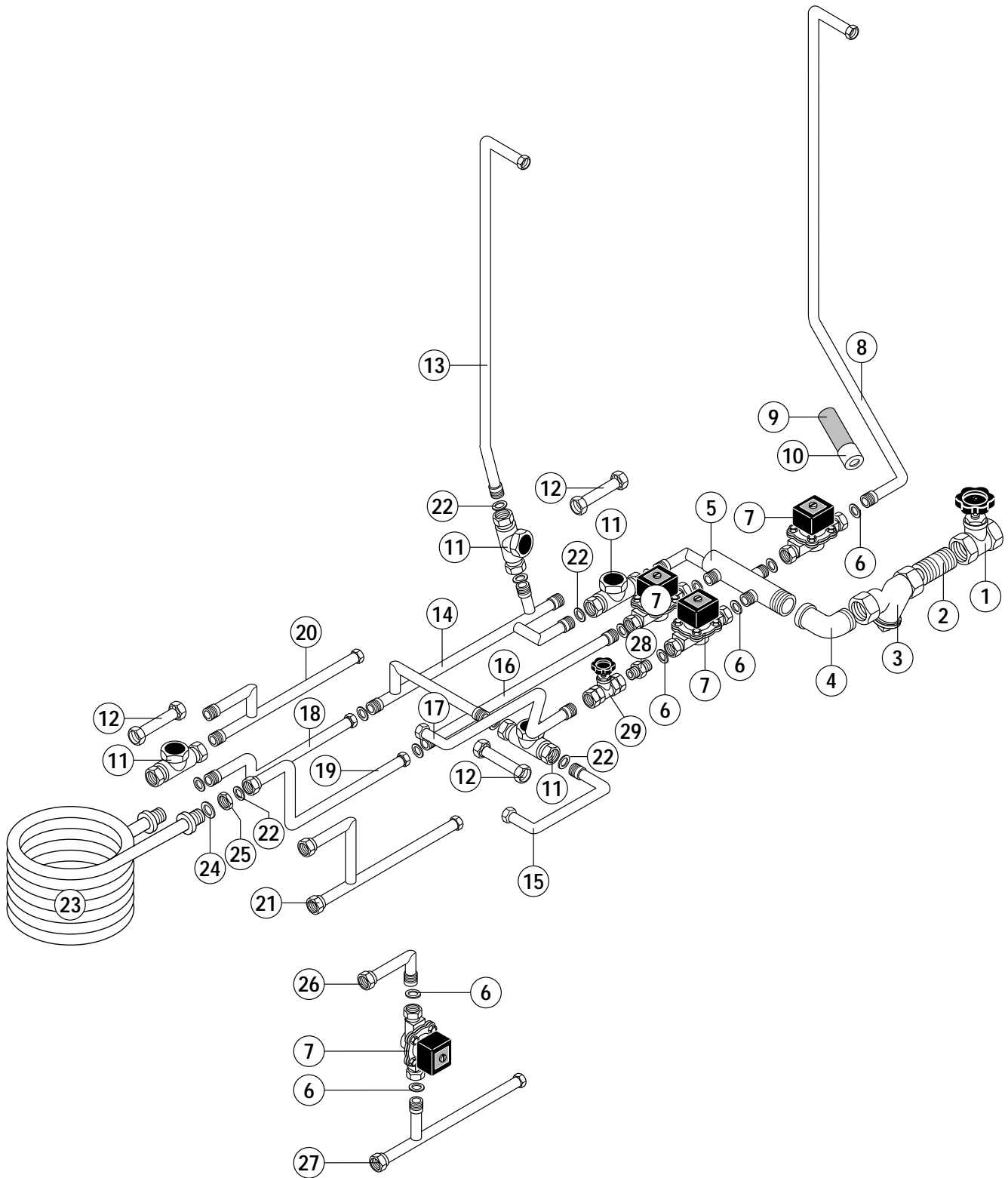




**A** conveyor width  
largeur du convoyeur  
Bandbreite  
bandbreedte

**B** usable height  
hauteur de passage  
Durchlaufhöhe  
doorvoerhoogte

Pos.	L/R G/D	R/L D/G	Specifications / Spécification / Angaben / Opgaven
01	774420-1	=	R 1 1/2" (steam / vapeur / Dampf / stoom 0,3 - 3,5 bar)
	774420-2	=	R 1 1/2" (steam / vapeur / Dampf / stoom 0,3 - 3,5 bar) sst, inox, Cr - Ni
02	774615-1	=	G 1 1/2" (steam / vapeur / Dampf / stoom 0,3 - 3,5 bar)
03	774429-1	=	R 1 1/2" (steam / vapeur / Dampf / stoom 0,3 - 3,5 bar)
	774429-2	=	R 1 1/2" (steam / vapeur / Dampf / stoom 0,3 - 3,5 bar) sst, inox, Cr - Ni
04	600564	=	R 1 1/2" (steam / vapeur / Dampf / stoom 0,3 - 3,5 bar)
05	774906-1	775003-1	(steam / vapeur / Dampf / stoom 0,3 - 3,5 bar)
	775016-2	775017-2	(steam / vapeur / Dampf / stoom 3,5 - 10 bar) incl. pos. 1 - 3
	775016-1	775017-1	(hot water / eau chaude / Heißwasser / heet water) incl. pos. 1 - 3
06	302574-2	=	
07	774946-1	=	
08	325730-1	325726-1	(with drier / avec séchage / mit Trocknung / met droogzone DE)
	774975-3	325508-1	(with drier / avec séchage / mit Trocknung / met droogzone DL)
	774975-1	325508-3	<b>B = 440 mm</b> (with drier / avec séchage / mit Trocknung / met droogzone DS)
	774975-2	325508-4	<b>B = 560 mm</b> (with drier / avec séchage / mit Trocknung / met droogzone DS)
09	774994-1	=	
10	600603	=	
11	774990-1	=	(steam / vapeur / Dampf / stoom)
12	775013-1	=	(hot water / eau chaude / Heißwasser / heet water)
13	325727-1	325502-5	(with drier / avec séchage / mit Trocknung / met droogzone DE)
	774997-1	325502-1	(with drier / avec séchage / mit Trocknung / met droogzone DL)
	774978-1	325502-3	<b>B = 440 mm</b> (with drier / avec séchage / mit Trocknung / met droogzone DS)
	774978-2	325502-4	<b>B = 560 mm</b> (with drier / avec séchage / mit Trocknung / met droogzone DS)
14	774985-1	774999-1	(steam / vapeur / Dampf / stoom)
	775039-1	775040-1	(hot water / eau chaude / Heißwasser / heet water)
15	774981-1	774981-2	<b>A = 612 mm</b> (booster / chaudière / Erhitzer 0,5 m <sup>2</sup> )
	774981-3	774981-4	<b>A = 806 mm</b> (booster / chaudière / Erhitzer 0,5 m <sup>2</sup> )
	775116-2	775116-1	<b>A = 612 mm</b> (booster / chaudière / Erhitzer 0,9 m <sup>2</sup> )
	775116-4	775116-3	<b>A = 806 mm</b> (booster / chaudière / Erhitzer 0,9 m <sup>2</sup> )
16	774995-1	=	(only / seulement / nur / maar A & AN -machine -Maschine)
	781980-3	=	(only / seulement / nur / maar B & C / BN & CN -machine / -Maschine)
17	774958-1	774987-1	<b>A = 612 mm</b> (booster / chaudière / Erhitzer 0,5 m <sup>2</sup> )
	775044-1	775046-1	<b>A = 806 mm</b> (booster / chaudière / Erhitzer 0,5 m <sup>2</sup> )
	775145-1	775114-1	<b>A = 612 mm</b> (booster / chaudière / Erhitzer 0,9 m <sup>2</sup> )
	775145-2	775114-2	<b>A = 806 mm</b> (booster / chaudière / Erhitzer 0,9 m <sup>2</sup> )
18	775024-1	775020-2	(only / seulement / nur / maar A-machine -Maschine)
	775024-1	775020-1	(B & C / BN & CN-machine / -Maschine)
	775024-2	775020-3	(only / seulement / nur / maar AN-machine -Maschine)
19	775022-3	775018-4	(only / seulement / nur / maar B & BN-machine, -Maschine)
	775022-1	775018-1	(only / seulement / nur / maar A-machine, -Maschine)
	775022-4	775018-2	(only / seulement / nur / maar C & CN-machine, -Maschine)
	775022-2	775018-3	(only / seulement / nur / maar AN-machine, -Maschine)
20	774983-1 ( 900 mm)	774998-2 (1 397 mm)	(B & C-machine / -Maschine)
	774983-1 ( 900 mm)	774998-1 ( 900 mm)	(only / seulement / nur / maar C & CN-machine, -Maschine)
	774983-2 ( 830 mm)	774998-3 (1 325 mm)	(only / seulement / nur / maar BN & CN-machine, -Maschine)
21	774960-3	774988-4	(only / seulement / nur / maar C-machine / -Maschine)



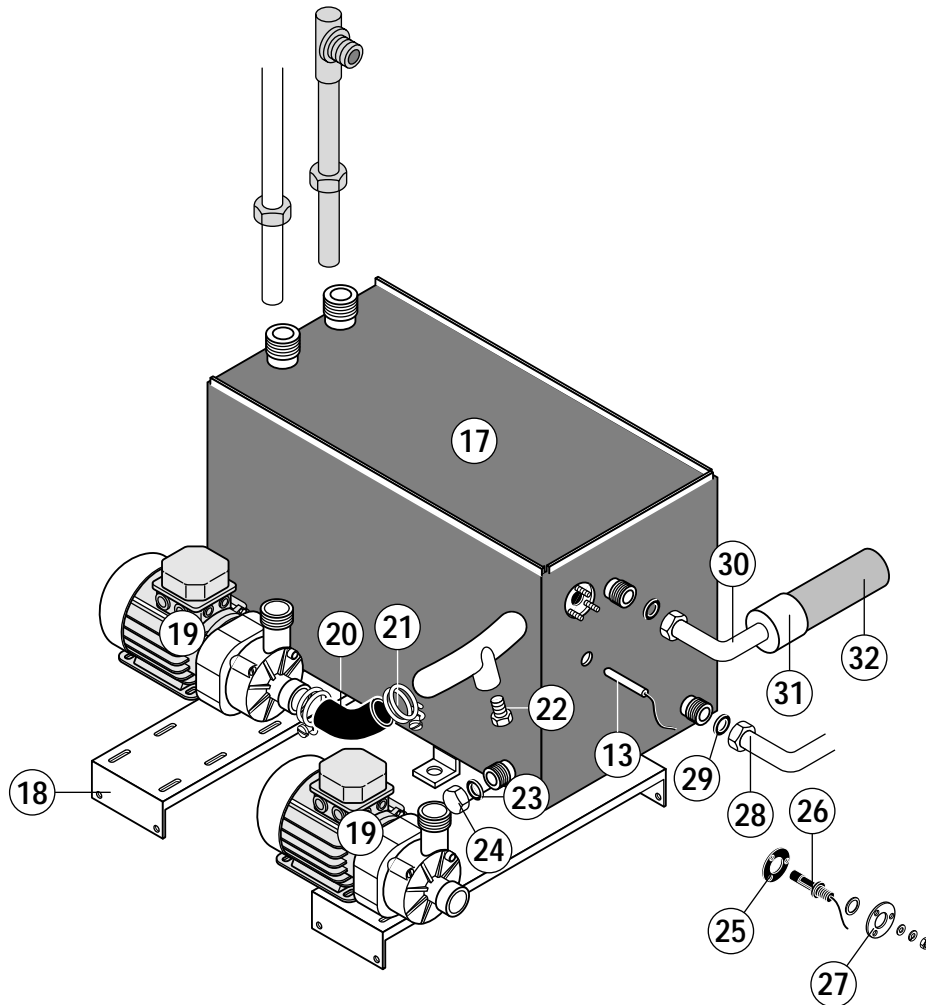
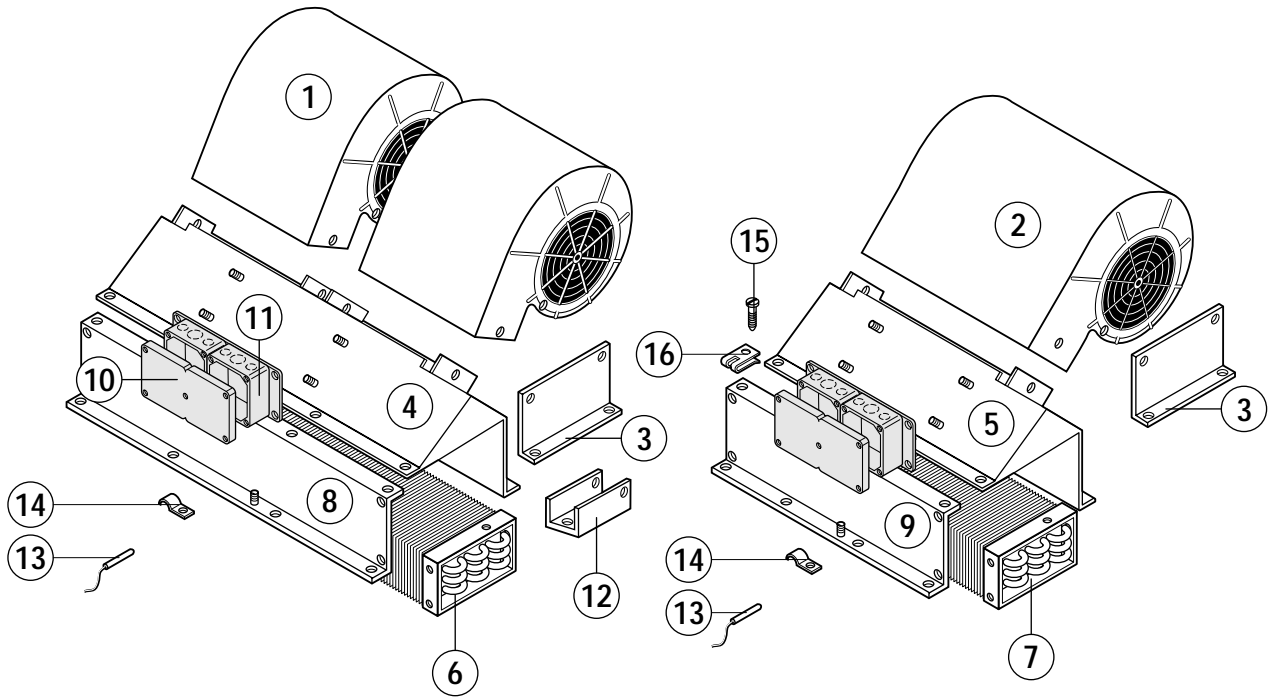


**A** conveyor width  
largeur du convoyeur  
Bandbreite  
bandbreedte

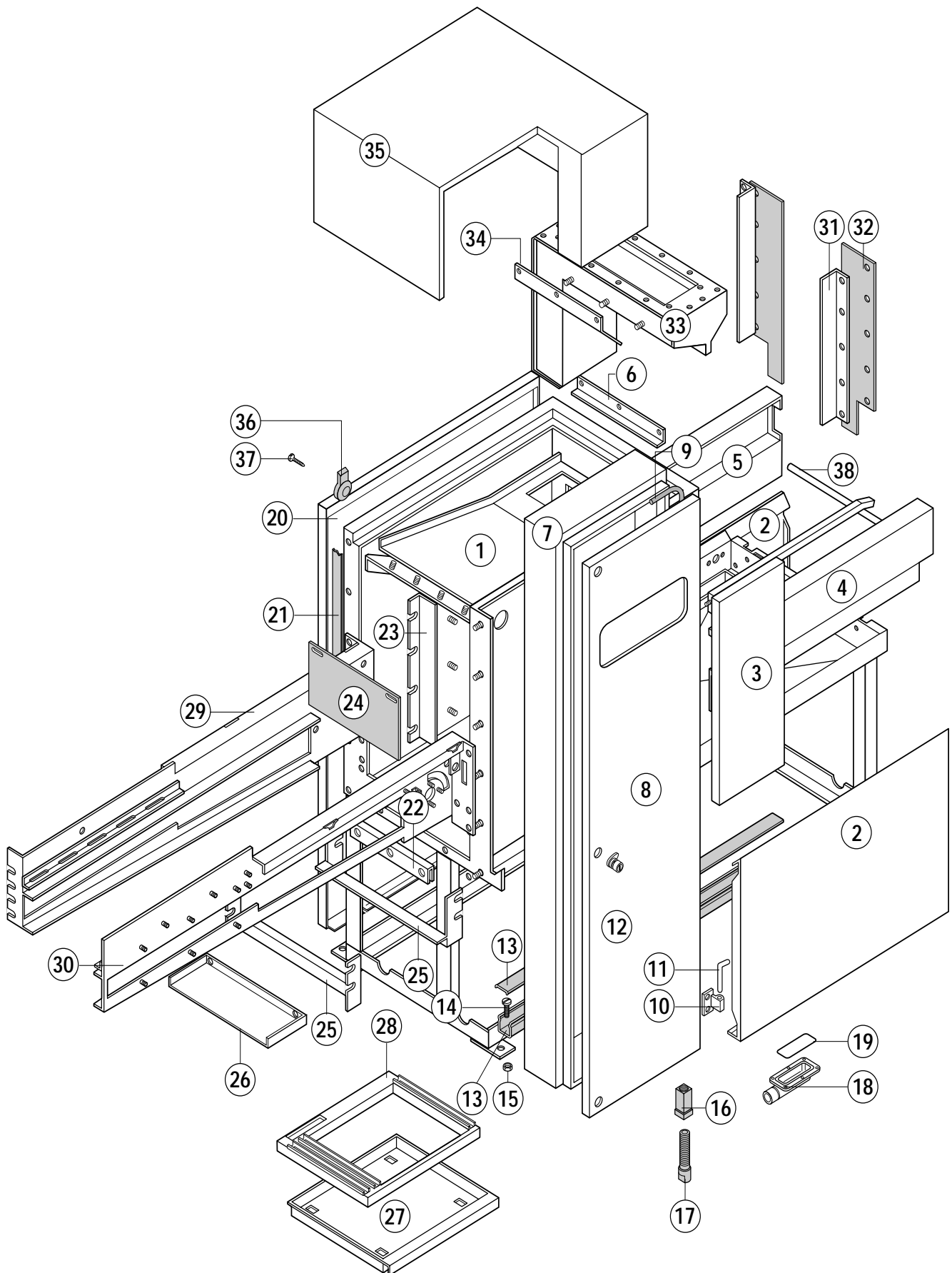
**B** usable height  
hauteur de passage  
Durchlaufhöhe  
doorvoerhoogte

Pos.	L/R G/D	R/L D/G	Specifications / Spécification / Angaben / Opgaven
22	302574-3	=	
23	774834-1	=	
24	300084-7	=	
25	603061	=	
26	784218-1	=	(B & C-machine / -Maschine)
27	774960-1	774988-3	(B & C-machine / -Maschine)
	774960-2	774988-2	(BN & CN-machine / -Maschine)
28	699068-3	=	
29	781601-1	=	





Pos.	L/R G/D	R/L D/G	Specifications / Spécification / Angaben / Opgaven
01	868903-...	=	A = 806 mm see wiring diagramme / voir schéma de cablage / siehe Schaltplan / zie elektrisch schema
02	868902-...	=	A = 612 mm see wiring diagramme / voir schéma de cablage / siehe Schaltplan / zie elektrisch schema
03	325172-1	=	
04	325620-1	=	A = 806 mm
05	325138-1	=	A = 612 mm
06	325553-2	=	A = 806 mm
07	325553-1	=	A = 612 mm
08	325947-2	=	A = 806 mm
09	325947-1	=	A = 612 mm
10	774642-1	=	
11	325023-1	=	
12	325335-1	=	A = 806 mm
13	378584	=	
14	324157	=	
15	600526	=	B 4,8 x 9,5
16	371148-2	=	B 4,8
17	774899-1	774899-2	A = 612 mm (booster / chaudière / Erhitzer 0,5 m <sup>2</sup> )
	775031-1	775031-2	A = 806 mm (booster / chaudière / Erhitzer 0,5 m <sup>2</sup> )
	774816-1	774816-2	A = 612 mm (booster / chaudière / Erhitzer 0,9 m <sup>2</sup> )
	775142-1	775142-2	A = 806 mm (booster / chaudière / Erhitzer 0,9 m <sup>2</sup> )
18	325054-1		
19	774908-...	=	see wiring diagramme / voir schéma de cablage / siehe Schaltplan / zie elektrisch schema
20	774912-1	=	
21	323945-40	=	
22	226989	=	R 1/8"
23	172986-13	=	
24	600 588	=	
25	774034-1	=	
26	774033-1	=	
27	774010-1	=	
28	774981-1	774981-2	A = 612 mm (booster / chaudière / Erhitzer 0,5 m <sup>2</sup> )
	774981-3	774981-4	A = 806 mm (booster / chaudière / Erhitzer 0,5 m <sup>2</sup> )
	775116-2	775116-1	A = 612 mm (booster / chaudière / Erhitzer 0,9 m <sup>2</sup> )
	775116-4	775116-3	A = 806 mm (booster / chaudière / Erhitzer 0,9 m <sup>2</sup> )
29	302574-3	=	
30	774958-1	774987-1	A = 612 mm (booster / chaudière / Erhitzer 0,5 m <sup>2</sup> )
	775044-1	775046-1	A = 806 mm (booster / chaudière / Erhitzer 0,5 m <sup>2</sup> )
	775145-1	775114-1	A = 612 mm (booster / chaudière / Erhitzer 0,9 m <sup>2</sup> )
	775145-2	775114-2	A = 806 mm (booster / chaudière / Erhitzer 0,9 m <sup>2</sup> )
31	600603	=	
32	774994-1	=	

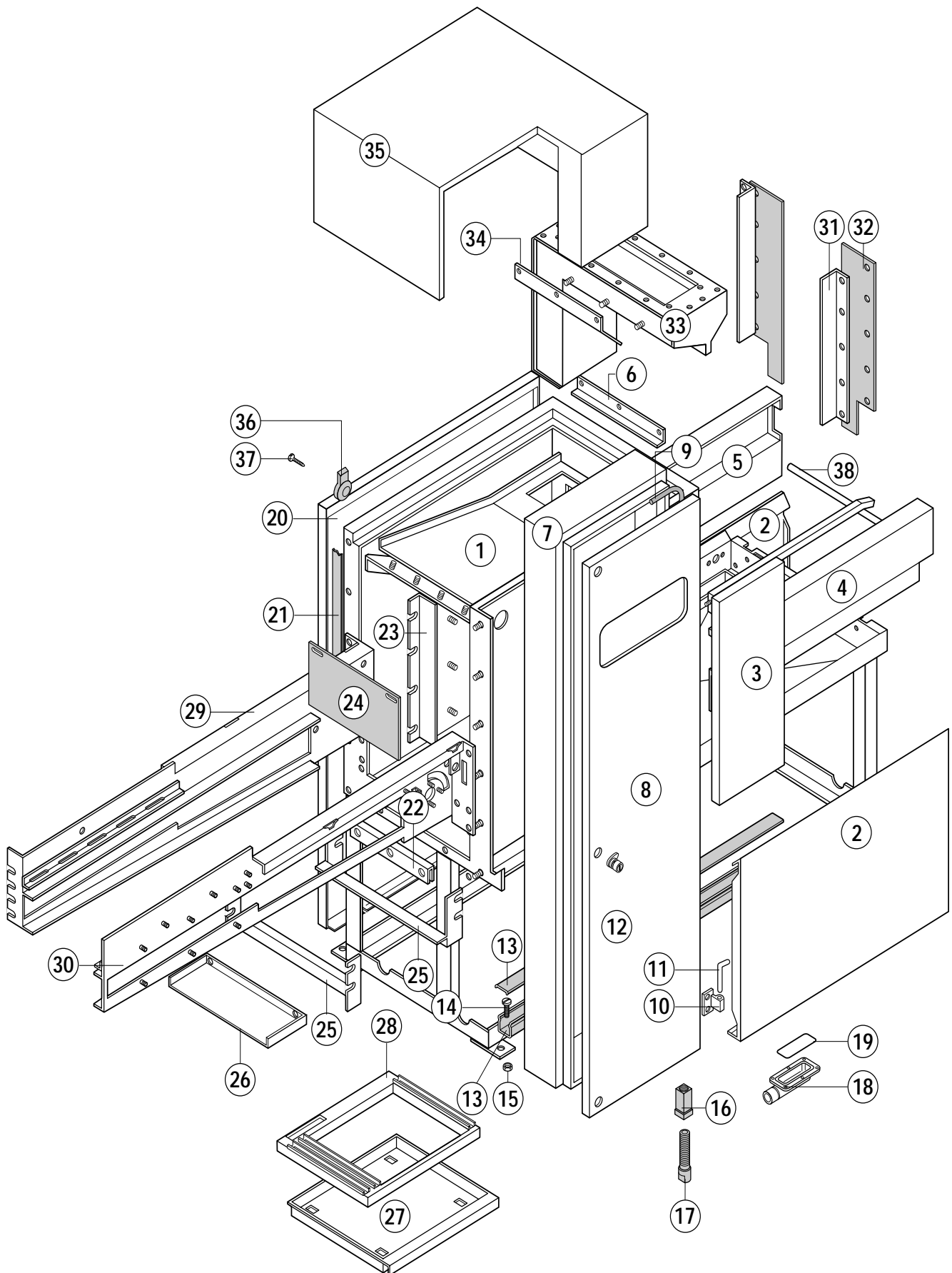




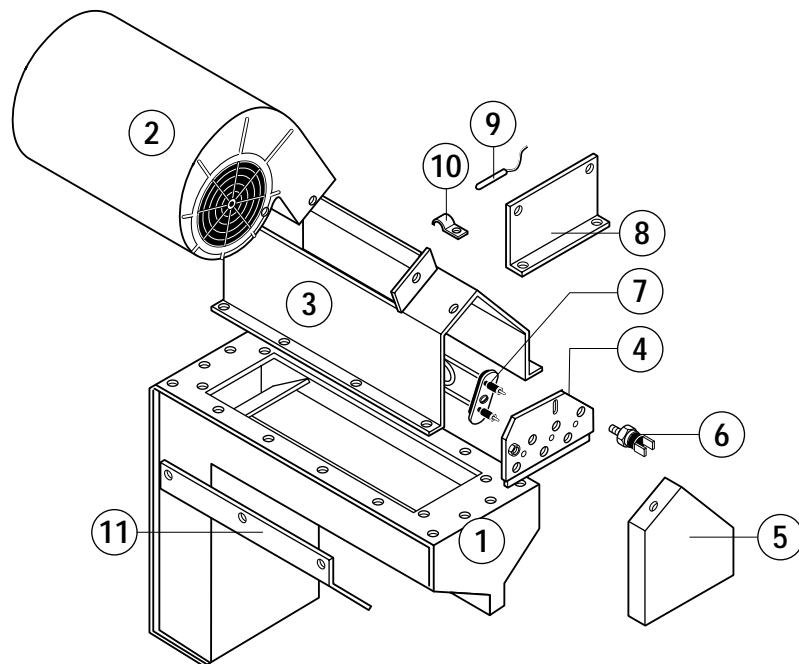
**A** conveyor width  
largeur du convoyeur  
Bandbreite  
bandbreedte

**B** usable height  
hauteur de passage  
Durchlaufhöhe  
doorvoerhoogte

Pos.	L/R G/D	R/L D/G	Specifications / Spécification / Angaben / Opgaven
01	325521-1	325585-1	DE 2
	325521-2	325585-2	DE 3
	325521-3	325585-3	DE 4
02	325118-4	=	
03	325058-1	=	
04	325258-8	=	DE 2
	325258-9	=	DE 3
	325258-10	=	DE 4
05	325258-7	=	DE 2
	325258-8	=	DE 3
	325258-9	=	DE 4
06	325464-1	=	
07	325079-1		
08	325085-1	=	with main switch / avec interrupteur général / mit Hauptschalter / met hoofschakelaar
	325085-3	=	without main switch / sans interrupteur général / ohne Hauptschalter / zonder hoofschakelaar
09	229169	=	
10	325086-11	=	
11	325086-13	=	
12	229518-3	=	
13	325226-6	=	DE 2
	325226-12	=	DE 3
	325226-11	=	DE 4
14	602569	=	
15	602502	=	
16	325008-1	=	
17	325007-1	=	
18	325529-1	=	
19	276903-35	=	
20	325288-2	=	
21	168834-1	=	
22	325155-1	=	
23	325119-1	=	
24	325194-3	=	
25	325355-1	=	
26	325630-1	=	
27	325601-1	=	
28	325579-1	325579-2	
29	325510-1	325510-4	DE 2
	325510-2	325510-5	DE 3
	325510-3	325510-6	DE 4
30	325512-1	325512-4	DE 2
	325512-2	325512-5	DE 3
	325512-3	325512-6	DE 4

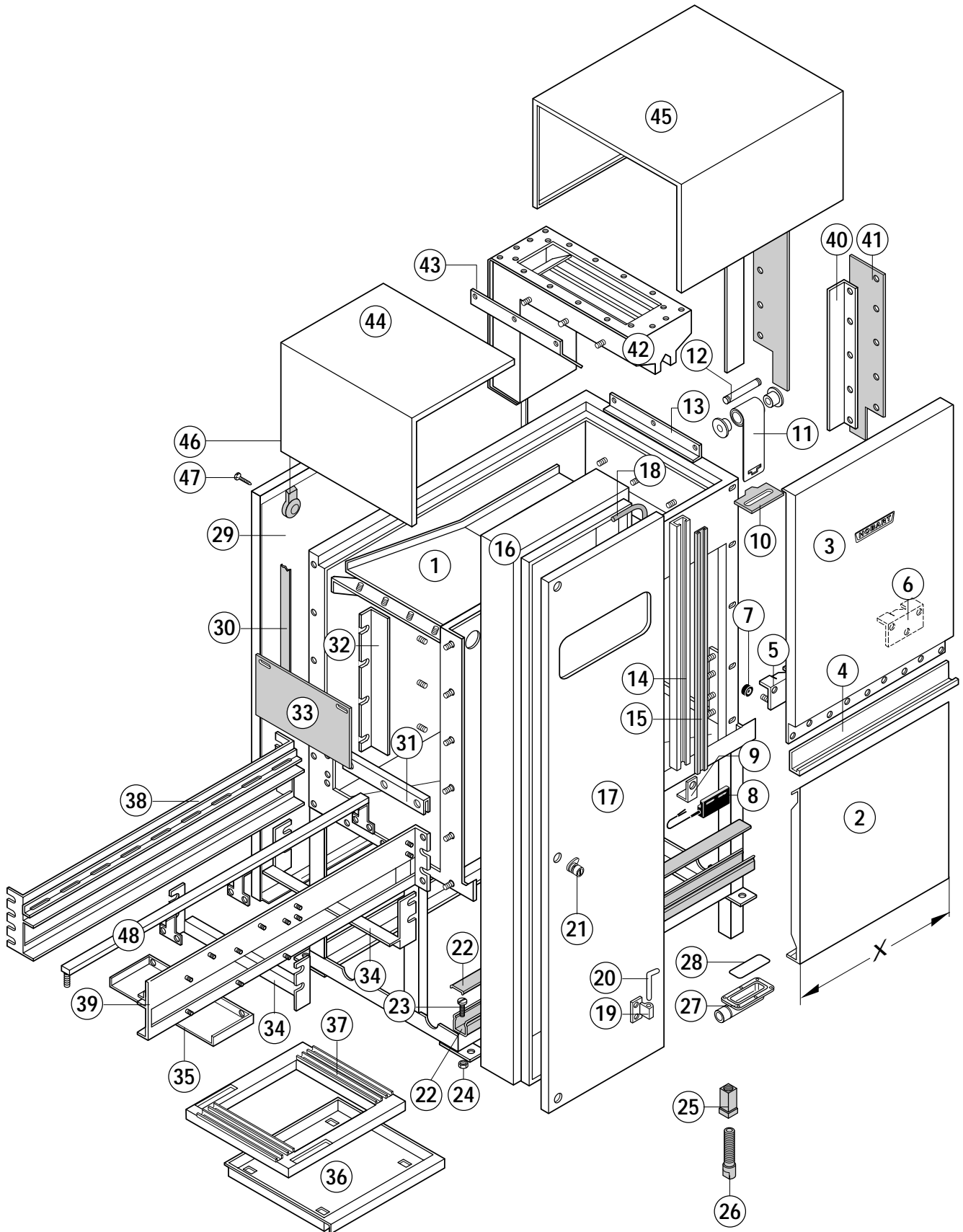










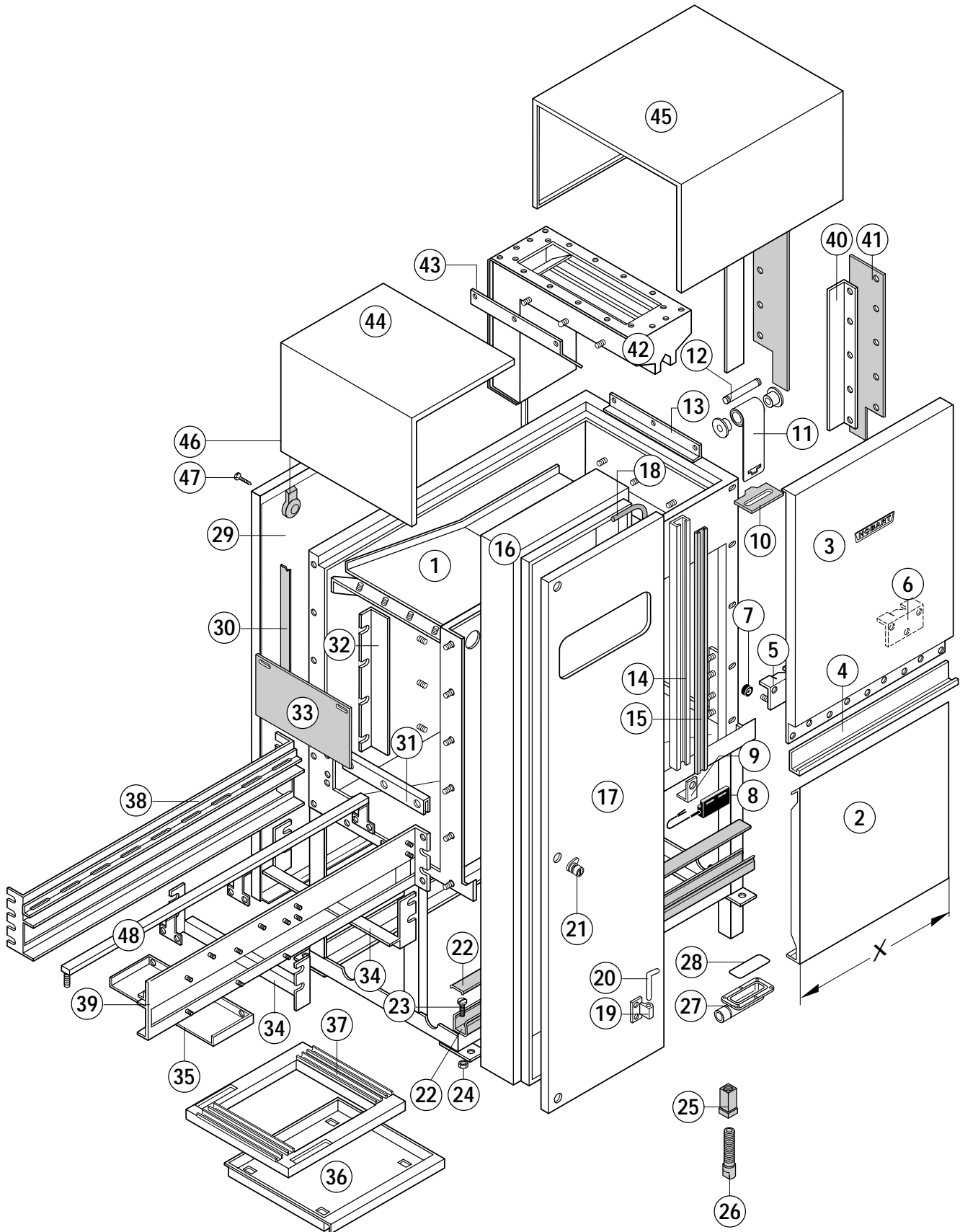




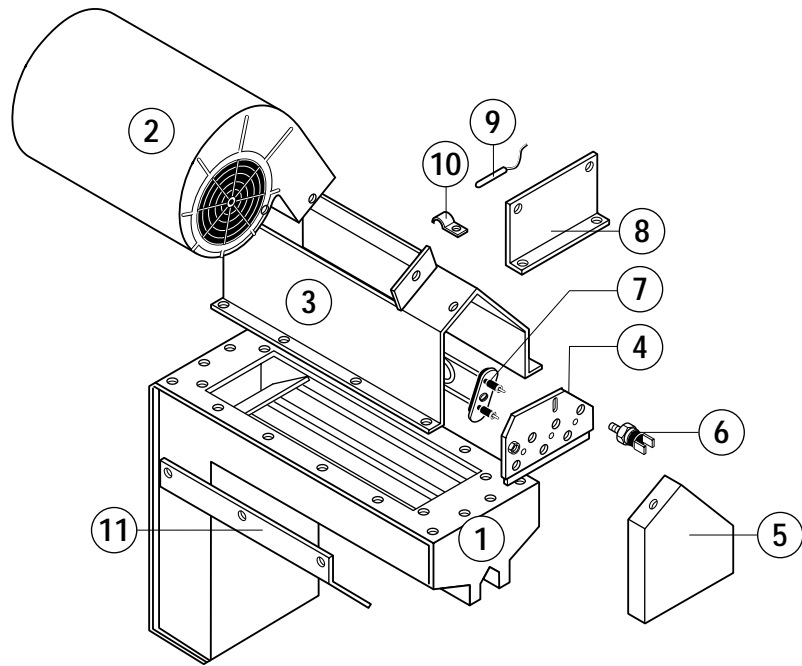
**A** conveyor width  
largeur du convoyeur  
Bandbreite  
bandbreedte

**B** usable height  
hauteur de passage  
Durchlaufhöhe  
doorvoerhoogte

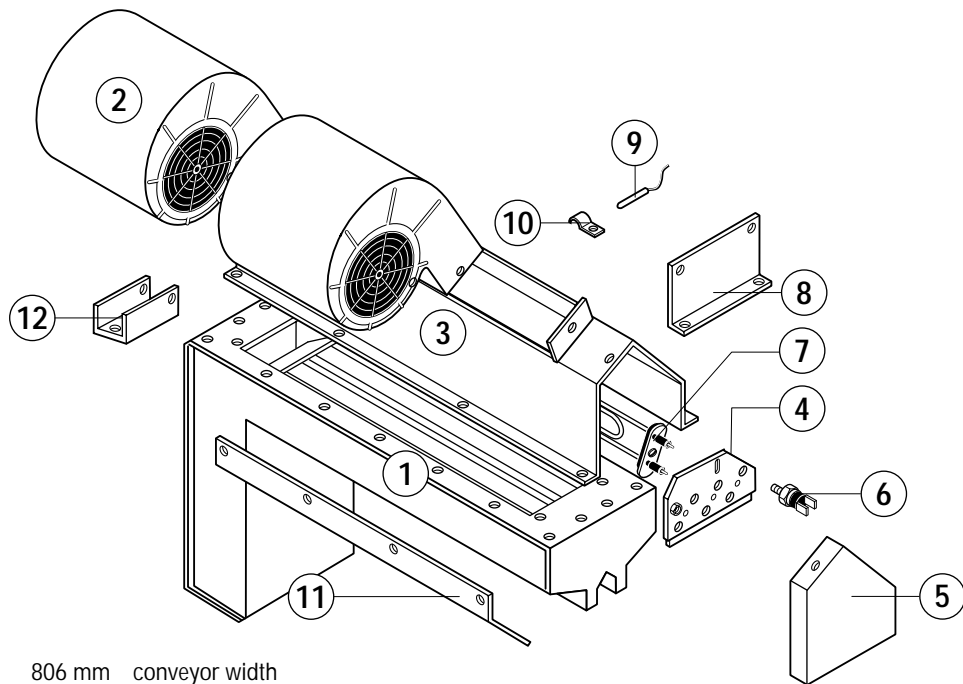
Pos.	L/R G/D	R/L D/G	Specifications / Spécification / Angaben / Opgaven
01	325051-1	325570-1	A = 612 mm / B = 440 mm
	325051-2	325570-2	A = 806 mm / B = 440 mm
02	325118-1	=	X = 500 mm
	325118-11	=	X = 1 100 mm
	325118-7	=	X = 1 400 mm
	325118-12	=	X = 1 700 mm
	325118-13	=	X = 2 000 mm
03	325280-1	=	
04	325290-1	=	
05	774501-1	=	
06	774503-1	=	
07	325673-1	=	
08	229517	=	
09	774795-1	=	
10	774499-1	=	
11	774749-1	=	
12	774495-1	=	
13	325464-1	=	A = 612 mm
	325464-2	=	A = 806 mm
14	325191-1	=	
15	325064-1		
16	325079-1		
17	325085-1	=	with main switch / avec interrupteur général / mit Hauptschalter / met hoofdschakelaar
	325085-3	=	without main switch / sans interrupteur général / ohne Hauptschalter / zonder hoofdschakelaar
18	229169	=	
19	325086-11	=	
20	325086-13	=	
21	229518-3	=	
22	325226-10	=	
23	602569	=	
24	602502	=	
25	325008-1	=	
26	325007-1	=	
27	325529-1	=	
28	276903-35	=	
29	325288-8	325288-3	
30	168834-1	=	
31	325155-1	=	A = 612 mm
	325155-2	=	A = 806 mm
32	325119-1	=	





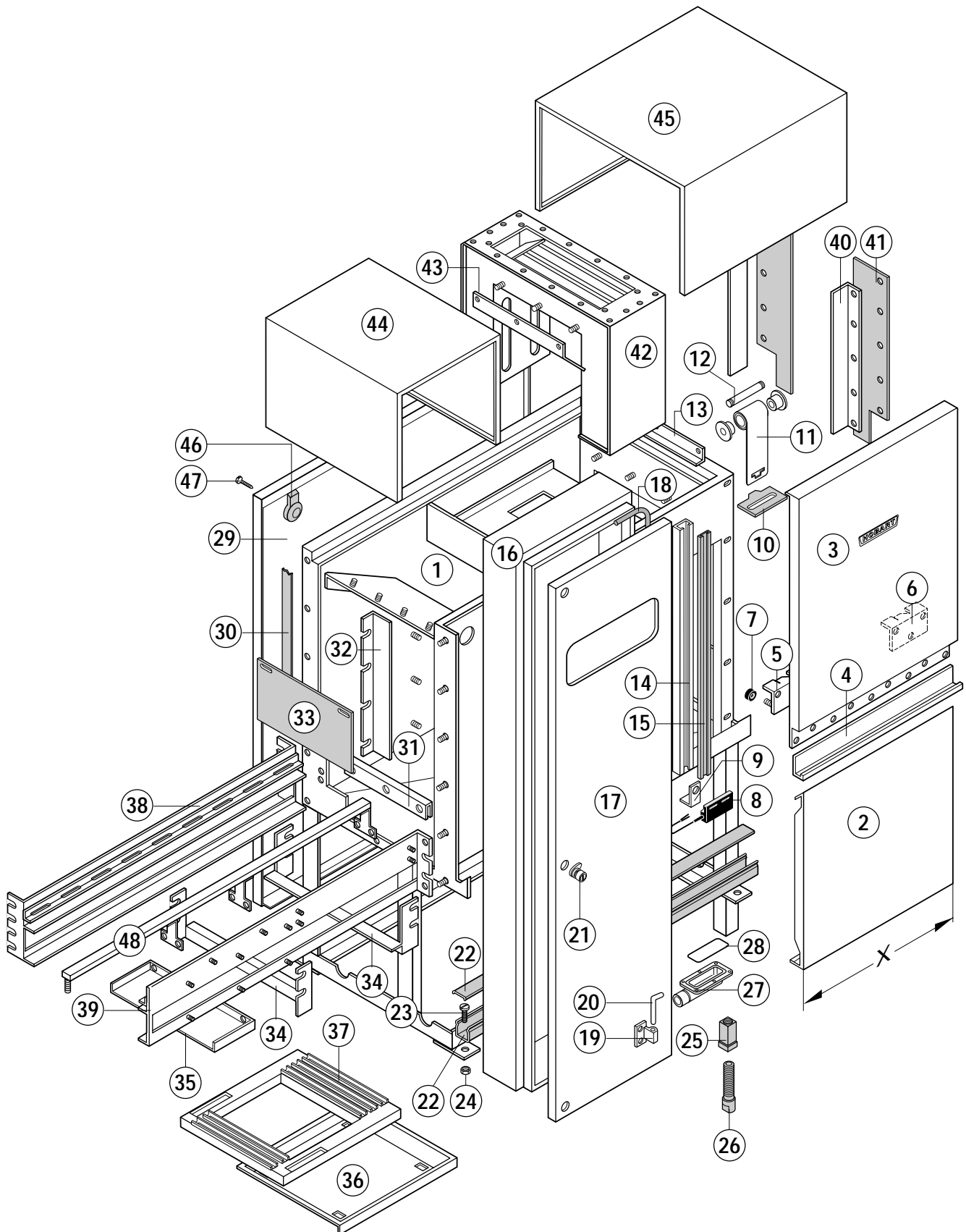


Drier DL 612 mm conveyor width  
 Séchage DL 612 mm largeur du convoyeur  
 Trocknung DL 612 mm Bandbreite  
 Droogzone DL 612 mm bandbreedte



Drier DL 806 mm conveyor width  
 Séchage DL 806 mm largeur du convoyeur  
 Trocknung DL 806 mm Bandbreite  
 Droogzone DL 806 mm bandbreedte





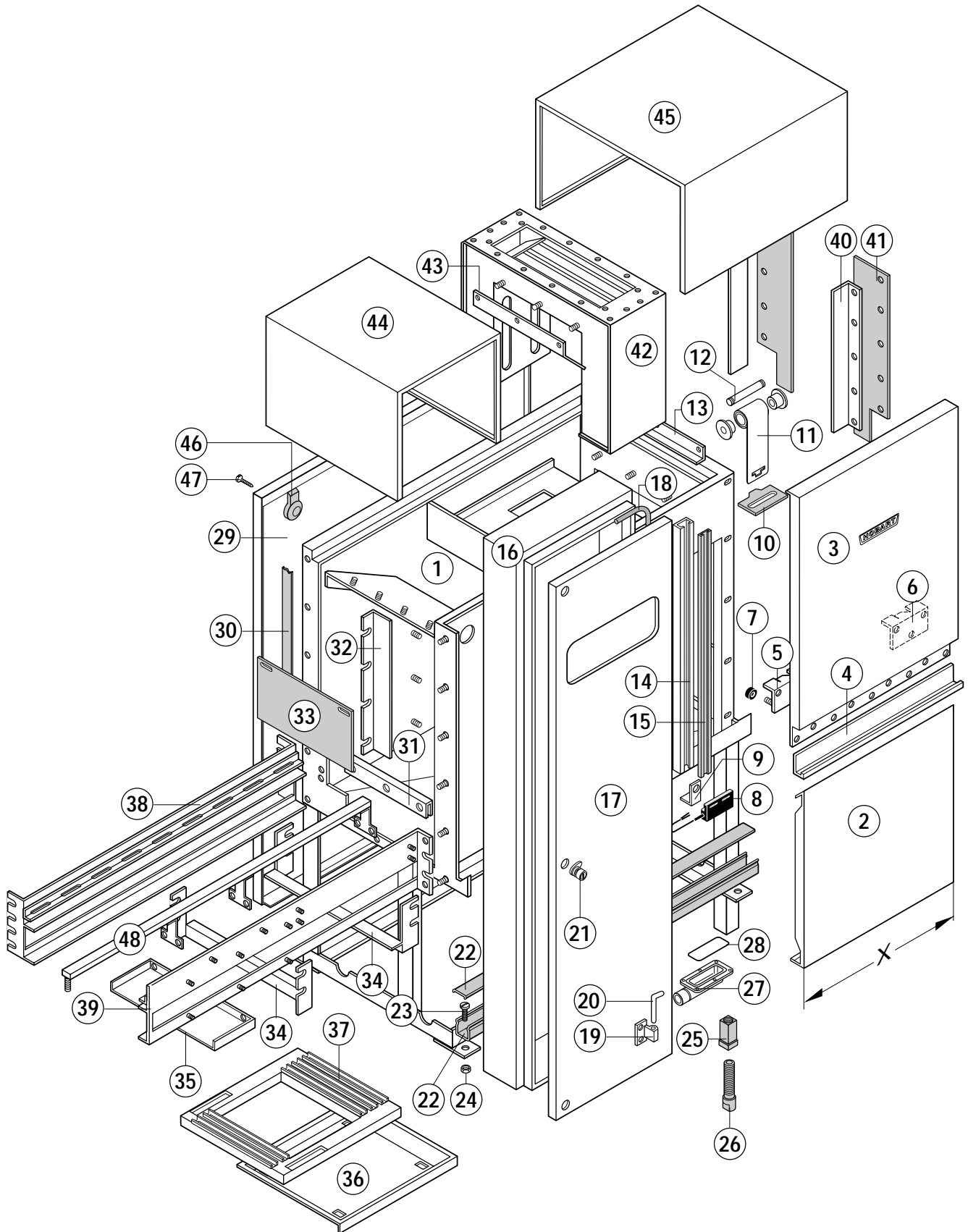


**A** conveyor width  
largeur du convoyeur  
Bandbreite  
bandbreedte

**B** usable height  
hauteur de passage  
Durchlaufhöhe  
doorvoerhoogte

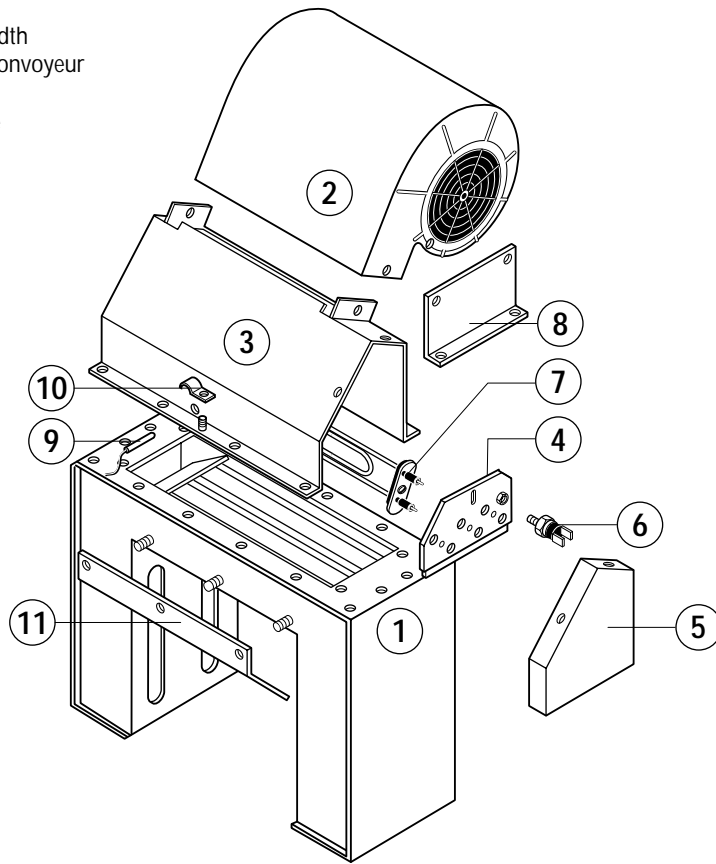
Pos.	L/R G/D	R/L D/G	Specifications / Spécification / Angaben / Opgaven
01	325456-1	325462-1	A = 612 mm / B = 440 mm
	325456-2	325462-2	A = 806 mm / B = 440 mm
	325642-1	325634-1	A = 612 mm / B = 560 mm
	325642-2	325634-2	A = 806 mm / B = 560 mm
02	325118-4	=	X = 800 mm
	325118-11	=	X = 1 100 mm
	325118-7	=	X = 1 400 mm
	325118-12	=	X = 1 700 mm
	325118-13	=	X = 2 000 mm
03	325280-3	=	B = 440 mm
	325280-8	=	B = 560 mm
04	325290-3	=	
05	774501-1	=	
06	774503-1	=	
07	325673-1	=	
08	229517	=	
09	774795-1	=	
10	774499-1	=	
11	774749-5	=	B = 440 mm
	774749-9	=	B = 560 mm
12	774495-1	=	
13	325464-1	=	A = 612 mm
	325464-2	=	A = 806 mm
14	325191-1	=	B = 440 mm
	325191-2	=	B = 560 mm
15	325064-1	=	B = 440 mm
	325064-2	=	B = 560 mm
16	325079-1	=	B = 440 mm
	325079-2	=	B = 560 mm
17	325085-1	=	B = 440 mm with main switch / avec interrupteur général / mit Hauptschalter / met hoofdschakelaar
	325085-2	=	B = 560 mm with main switch / avec interrupteur général / mit Hauptschalter / met hoofdschakelaar
	325085-3	=	B = 440 mm without main switch / sans interrupteur général / ohne Hauptschalter / zonder hoofdschakelaar
	325085-4	=	B = 560 mm without main switch / sans interrupteur général / ohne Hauptschalter / zonder hoofdschakelaar
18	229169	=	
19	325086-11	=	
20	325086-13	=	
21	229518-3	=	
22	325226-6	=	
23	602569	=	
24	602502	=	
25	325008-1	=	
26	325007-1	=	
27	325529-1	=	
28	276903-35	=	
29	325288-7	325288-4	B = 440 mm
	325288-17	325288-14	B = 560 mm



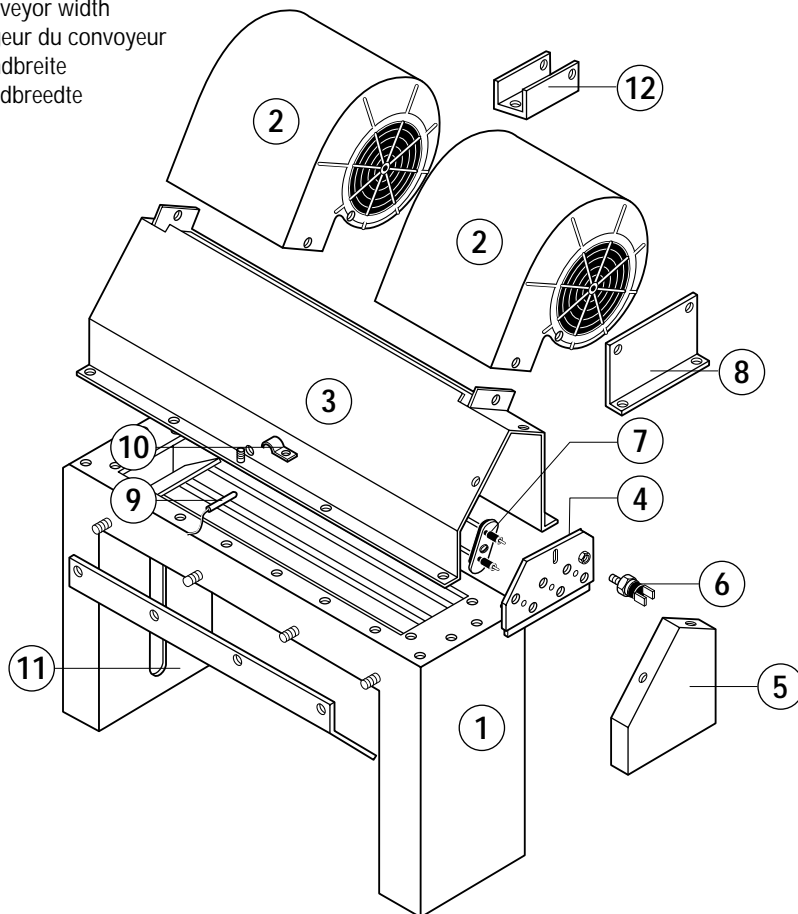




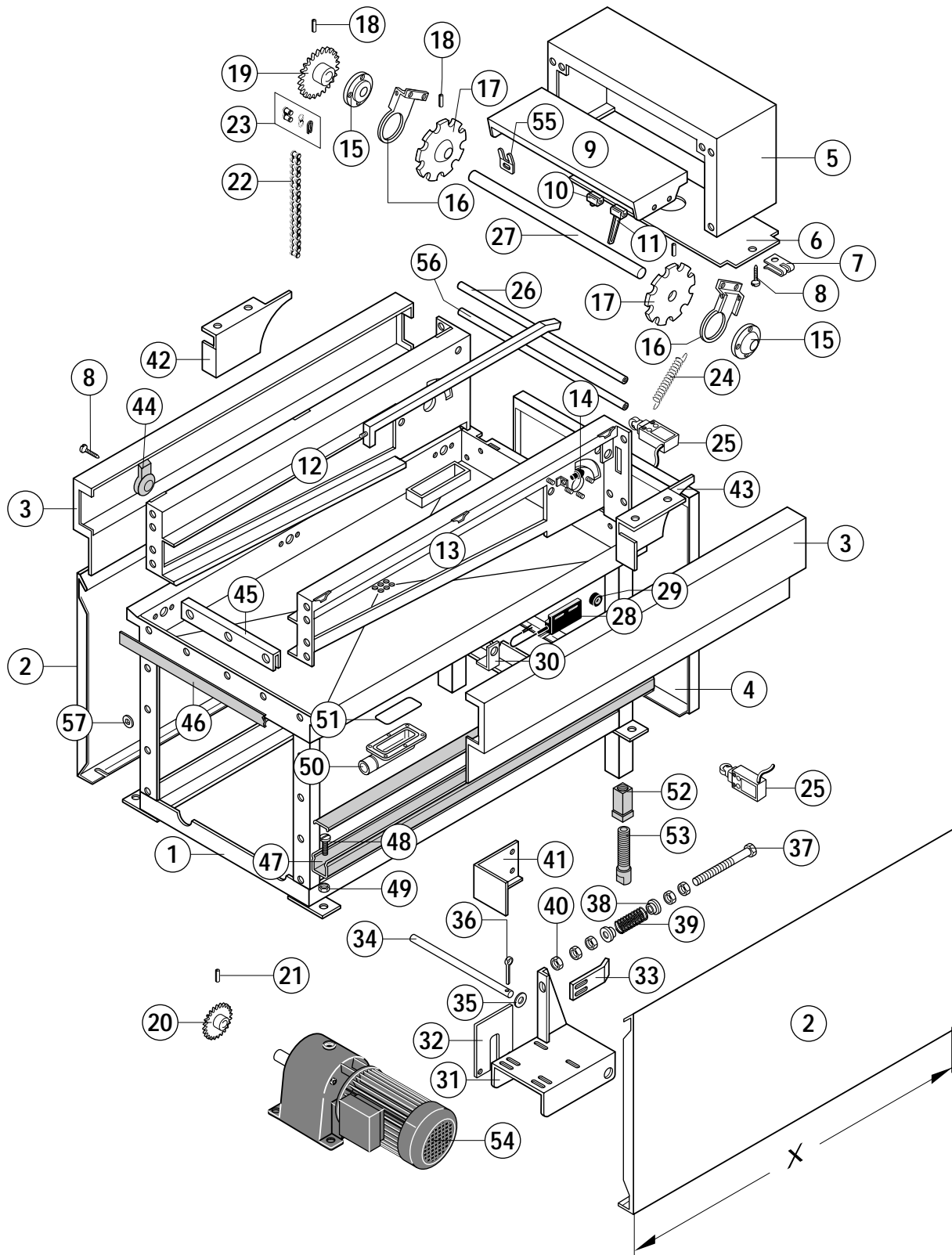
Drier DS 612 mm conveyor width  
 Séchage DS 612 mm largeur du convoyeur  
 Trocknung DS 612 mm Bandbreite  
 Droogzone DS 612 mm bandbreedte



Drier DS 806 mm conveyor width  
 Séchage DS 806 mm largeur du convoyeur  
 Trocknung DS 806 mm Bandbreite  
 Droogzone DS 806 mm bandbreedte





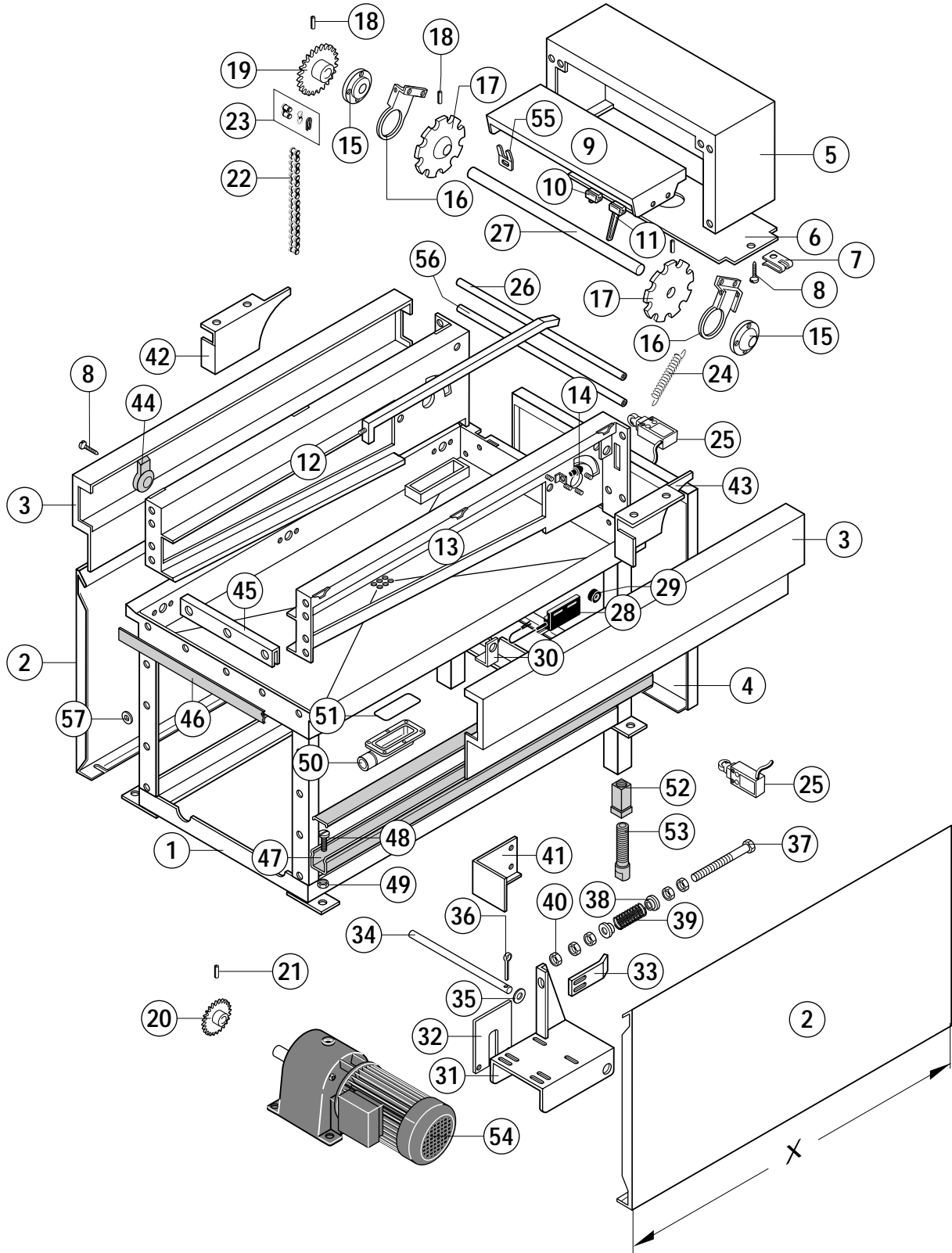




**A** conveyor width  
largeur du convoyeur  
Bandbreite  
bandbreedte

**B** exit length  
longueur de sortie  
Auslauflänge  
afvoerlengte

Pos.	L/R G/D	R/L D/G	Specifications / Spécification / Angaben / Opgaven
01	325200-1	=	A = 612 mm / B = 800 mm
	325200-7	=	A = 806 mm / B = 800 mm
	325200-2	=	A = 612 mm / B = 1 100 mm
	325200-8	=	A = 806 mm / B = 1 100 mm
	325200-3	=	A = 612 mm / B = 1 400 mm
	325200-9	=	A = 806 mm / B = 1 400 mm
	325200-4	=	A = 612 mm / B = 1 700 mm
	325200-10	=	A = 806 mm / B = 1 700 mm
	325200-5	=	A = 612 mm / B = 2 000 mm
	325200-11	=	A = 806 mm / B = 2 000 mm
	325200-6	=	A = 612 mm / B = 2 300 mm
	325200-12	=	A = 806 mm / B = 2 300 mm
02	325118-2	=	X = 600 mm
	325118-5	=	X = 900 mm
	325118-11	=	X = 1 100 mm
	325118-6	=	X = 1 200 mm
	325118-7	=	X = 1 400 mm
	325118-8	=	X = 1 500 mm
	325118-12	=	X = 1 700 mm
	325118-9	=	X = 1 800 mm
	325118-13	=	X = 2 000 mm
	325118-10	=	X = 2 100 mm
03	325258-1	=	B = 800 mm
	325258-2	=	B = 1 100 mm
	325258-3	=	B = 1 400 mm
	325258-4	=	B = 1 700 mm
	325258-5	=	B = 2 000 mm
	325258-6	=	B = 2 300 mm
04	325259-1	=	A = 612 mm
	325259-2	=	A = 806 mm
05	325255-1	=	A = 612 mm
	325255-2	=	A = 806 mm
06	325256-1	=	A = 612 mm
	325256-2	=	A = 806 mm
07	371148-2	=	B 4,8
08	600526	=	B 4,8 x 9,5
09	325252-1	=	A = 612 mm
	325252-2	=	A = 806 mm
10	774641-1	=	
11	325477-1	=	
12	325235-1	325236-1	B = 800 mm
	325235-2	325236-2	B = 1 100 mm
	325235-3	325236-3	B = 1 400 mm
	325235-4	325236-4	B = 1 700 mm
	325235-5	325236-5	B = 2 000 mm
	325235-6	325236-6	B = 2 300 mm



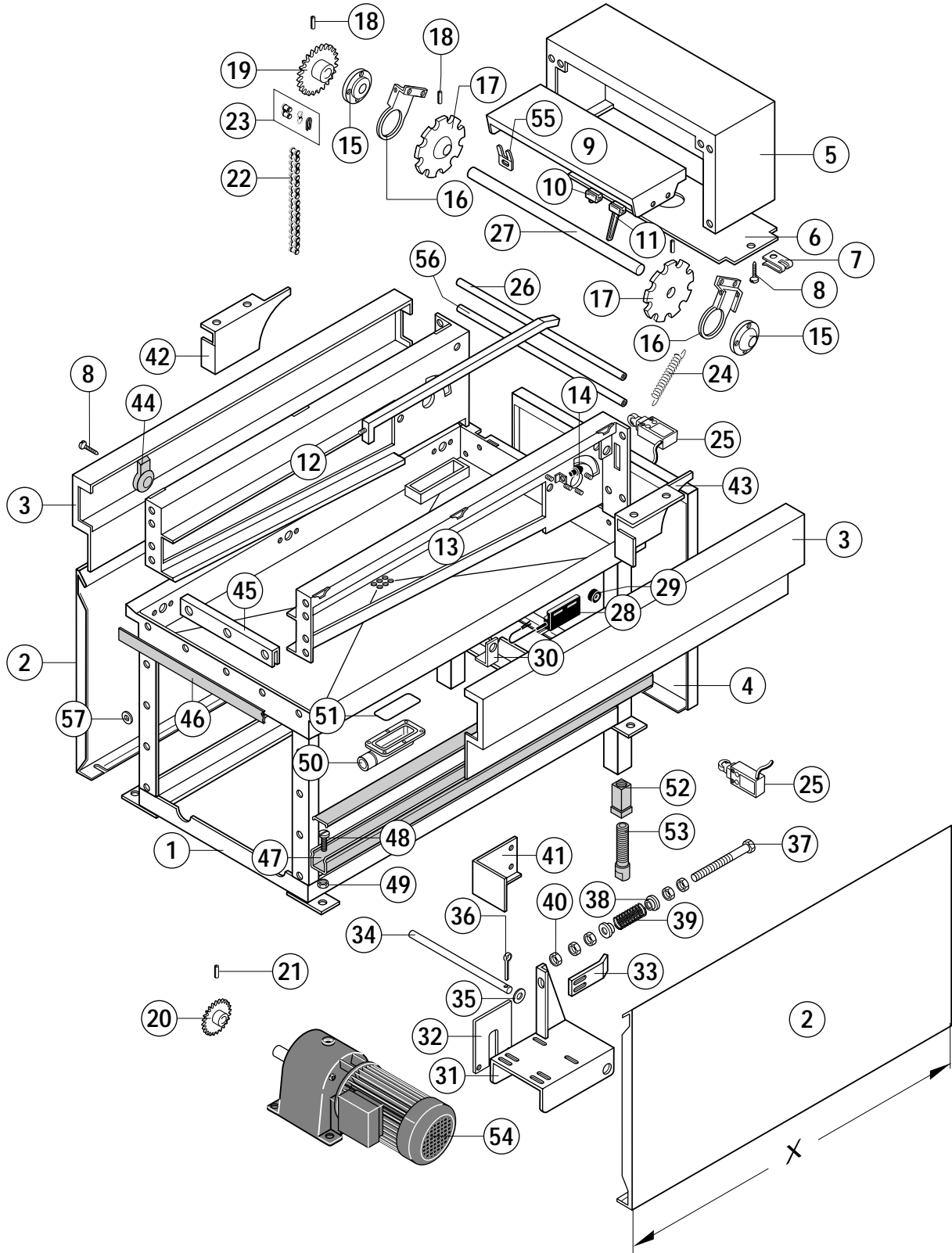


**A** conveyor width  
largeur du convoyeur  
Bandbreite  
bandbreedte

**B** exit length  
longueur de sortie  
Auslauflänge  
afvoerlengte

Pos.	L/R G/D	R/L D/G	Specifications / Spécification / Angaben / Opgaven
13	325236-1	325235-1	B = 800 mm
	325236-2	325235-2	B = 1 100 mm
	325236-3	325235-3	B = 1 400 mm
	325236-4	325235-4	B = 1 700 mm
	325236-5	325235-5	B = 2 000 mm
	325236-6	325235-6	B = 2 300 mm
14	324483	=	
15	325243-1	=	
16	325242-1	=	
17	325034-1	=	9 teeth / dents / Zähne / tands
	325035-1	=	6 teeth / dents / Zähne / tands
18	602849	=	8 x 50
19	325036	=	
20	697726-1	=	
21	602877	=	8 x 32 DIN 1481
22	168703-1	=	
23	226485	=	
24	774828-1	=	
25	325189	=	
26	325278-1	=	A = 612 mm / B = 800 mm
	325278-7	=	A = 806 mm / B = 800 mm
	325278-2	=	A = 612 mm / B = 1 100 mm
	325278-8	=	A = 806 mm / B = 1 100 mm
	325278-3	=	A = 612 mm / B = 1 400 mm
	325278-9	=	A = 806 mm / B = 1 400 mm
	325278-4	=	A = 612 mm / B = 1 700 mm
	325278-10	=	A = 806 mm / B = 1 700 mm
	325278-5	=	A = 612 mm / B = 2 000 mm
	325278-11	=	A = 806 mm / B = 2 000 mm
	325278-6	=	A = 612 mm / B = 2 300 mm
	325278-12	=	A = 806 mm / B = 2 300 mm
27	325223-1	=	A = 612 mm
	325223-2	=	A = 806 mm
28	229517	=	
29	325673-1	=	
30	774795-1	=	
31	325245-1	=	A = 612 mm
	325872-1	=	A = 806 mm
32	325228-1	=	
33	325238-1	=	
34	325250-1	=	
35	602289	=	B 13
36	602884	=	2 x 20 DIN 94
37	602693	=	M8 x 100
38	229413	=	
39	227873-6	=	
40	602492	=	M8
41	325218	=	
42	325230-2	325230-1	
43	325230-1	325230-2	



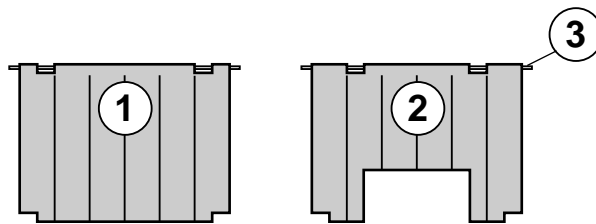
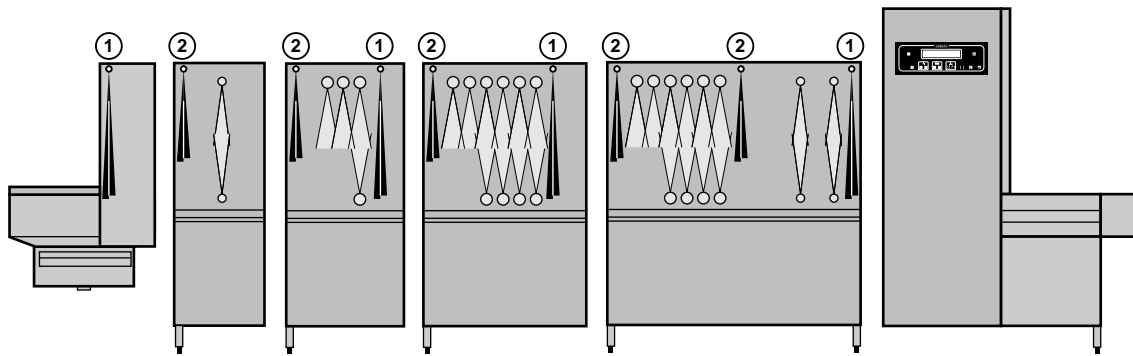




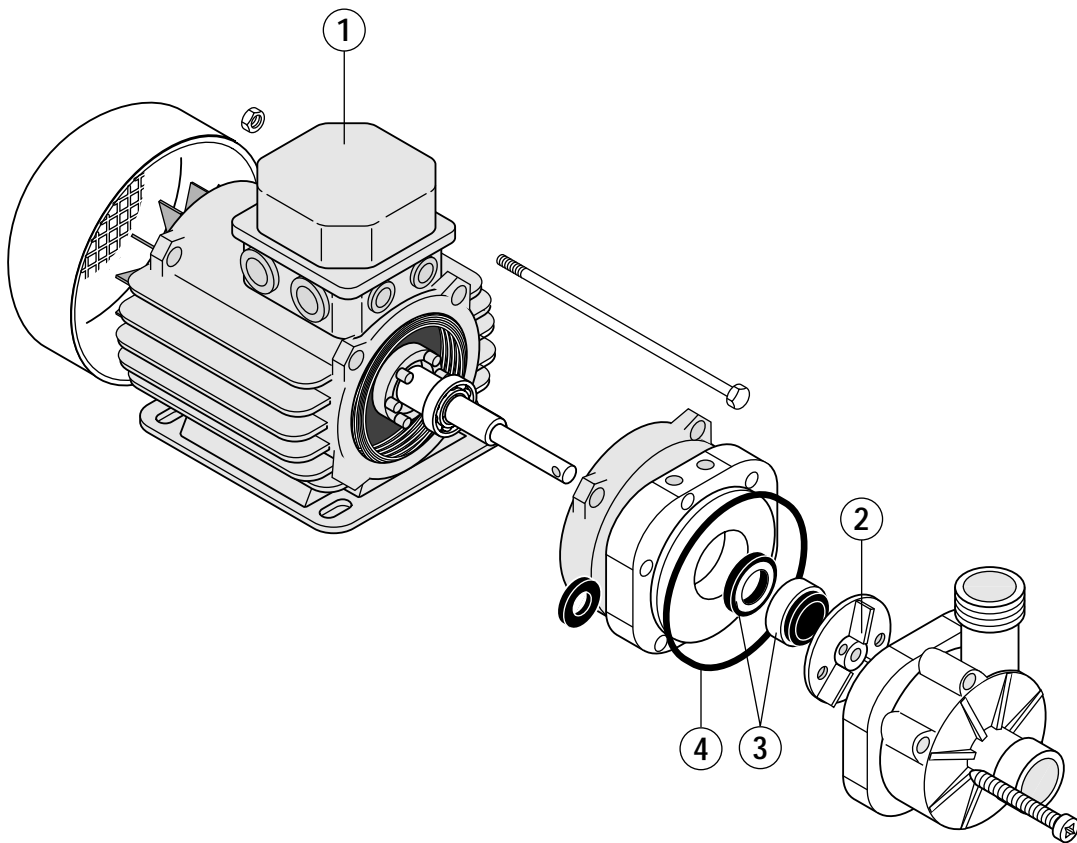
**A** conveyor width  
 largeur du convoyeur  
 Bandbreite  
 bandbreedte

**B** exit length  
 longueur de sortie  
 Auslauflänge  
 afvoerlengte

Pos.	L/R G/D	R/L D/G	Specifications / Spécification / Angaben / Opgaven
44	325037-1	=	
45	325155-1	=	A = 612 mm
	325155-2	=	A = 806 mm
46	168834-1	=	
47	325226-2	=	B = 800 mm
	325226-4	=	B = 1 100 mm
	325226-5	=	B = 1 400 mm
	325226-7	=	B = 1 700 mm
	325226-9	=	B = 2 000 mm
	325226-10	=	B = 2 300 mm
48	602569	=	M6 x 12 DIN 933
49	602502	=	M6 DIN 985
50	325529-1	=	
51	276903-35	=	
52	325008-1	=	
53	325007-1	=	
54	697724-...	=	frequency controled / à convertisseur de fréquence / frequenzgesteuert / frequentie gestuurd see wiring diagram / voir schéma électrique / siehe Schaltplan / zie elektrisch schema
	168649-...	=	mechanically adjustable speed / à variateur mécanique / mechanisch verstellbar / mechanisch vestelbaar see wiring diagram / voir schéma électrique / siehe Schaltplan / zie elektrisch schema
	296906-...	=	pole changed & mech. adjustable speed / à inverseur de pôles & variateur mécanique polumschaltbar & mechanisch verstellbar / pool omschakelbaar see wiring diagram / voir schéma électrique / siehe Schaltplan / zie elektrisch schema
55	325164-1	=	
56	325224-1	=	A = 612 mm / B = 1 700 - 2 300 mm
	775151-1	=	A = 806 mm / B = 1 700 - 2 300 mm
57	378755	=	









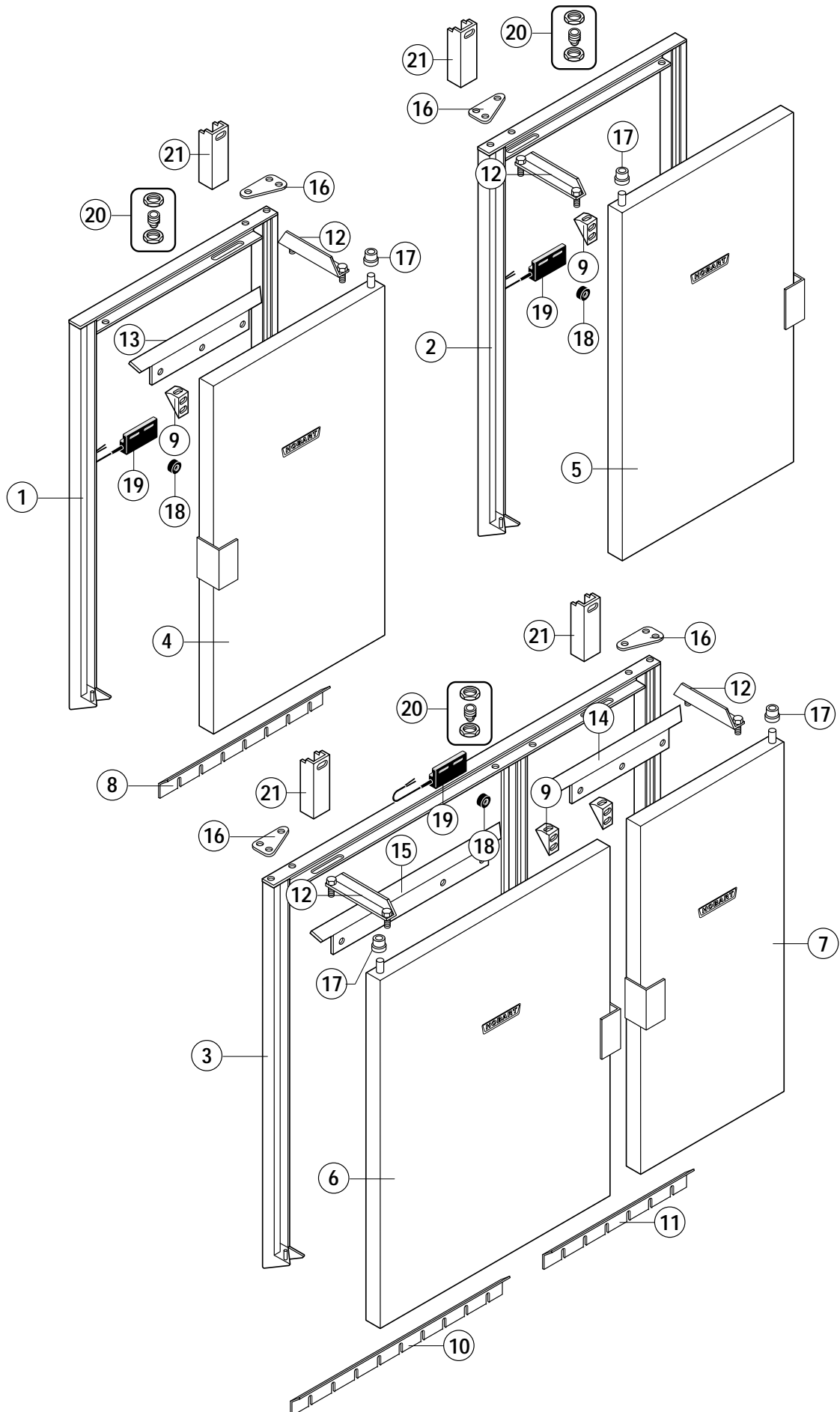
**A** conveyor width  
largeur du convoyeur  
Bandbreite  
bandbreedte

**B** usable height  
hauteur de passage  
Durchlaufhöhe  
doorvoerhoogte

**C** Entry length  
Longuer de entrée  
Zulauflänge  
Toevoerlengte

Pos.	L/R G/D	R/L D/G	Specifications / Spécification / Angaben / Opgaven
01	774908-...	=	see wiring diagramme / voir schéma de cablage / siehe Schaltplan / zie elektrisch schema
02	774986-1	=	Ø 72 mm
	774986-2	=	Ø 60 mm
	774986-3	=	Ø 55,5 mm
	774986-4	=	Ø 51,5 mm
	774986-5	=	Ø 45 mm
	774986-6	=	Ø 41 mm
03	780120-8	=	
04	276903-43	=	

21 – rinse pump / Pompe de rinçage / Spülpumpe / Naspoelpome



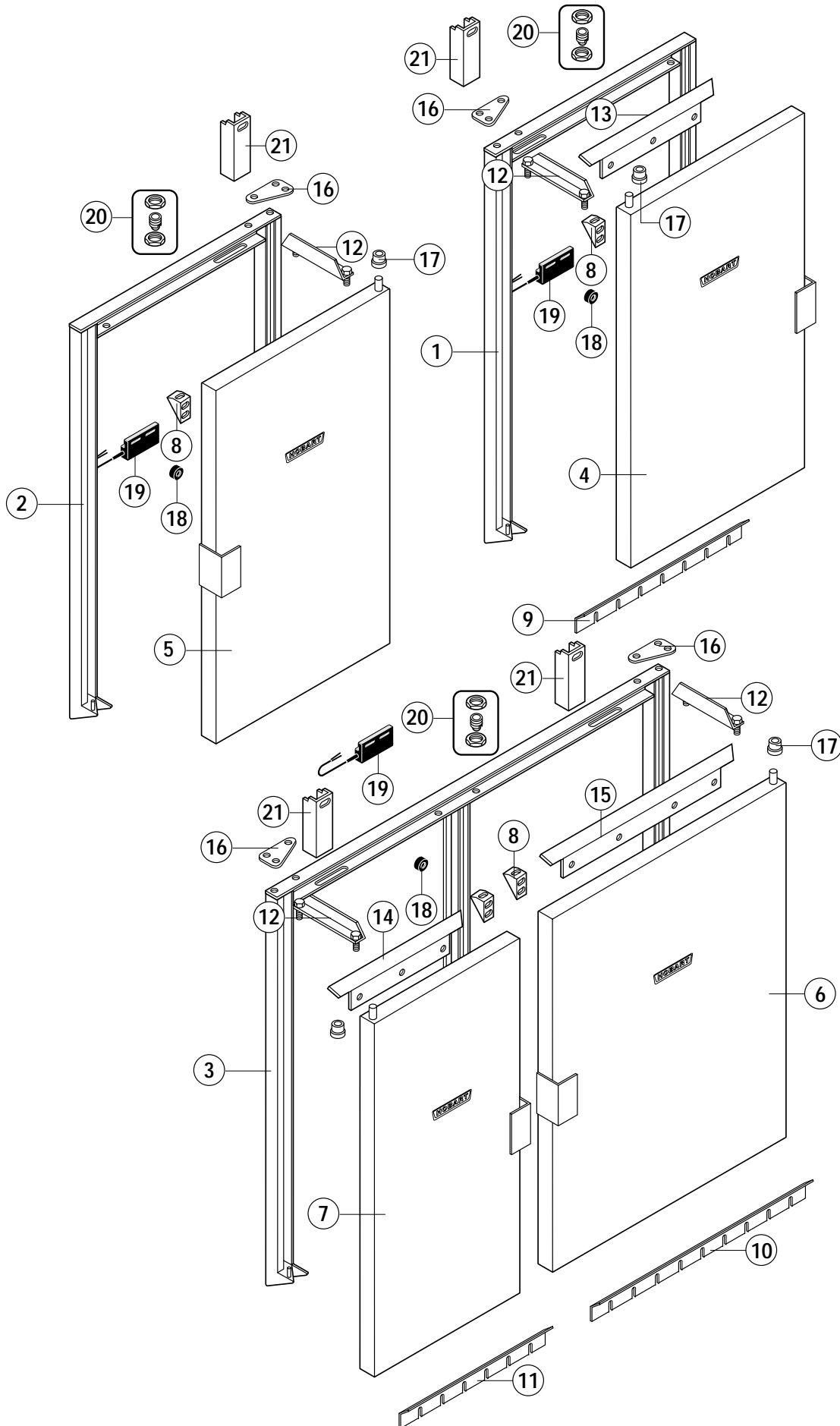


**A** conveyor width  
largeur du convoyeur  
Bandbreite  
bandbreedte

**B** usable height  
hauteur de passage  
Durchlaufhöhe  
doorvoerhoogte

Pos.	L/R G/D	R/L D/G	Specifications / Spécification / Angaben / Opgaven
01	784248-7		B = 440 mm (E- Prewash)
	784248-10		B = 560 mm (E- Prewash)
	784248-9		B = 440 mm (S- Prewash, 900 Modul)
	784248-12		B = 560 mm (S- Prewash, 900 Modul)
02	784248-1		B = 440 mm (DL- Drier)
	784248-2		B = 440 mm (DS- Drier)
	784248-5		B = 560 mm (DS- Drier)
03	784240-1		B = 440 mm (AR / AN- Segment)
	784240-3		B = 560 mm (AR / AN- Segment)
04	784234-7		B = 440 mm (E- Prewash)
	784234-10		B = 560 mm (E- Prewash)
	784234-9		B = 440 mm (S- Prewash, 900 Modul)
	784234-12		B = 560 mm (S- Prewash, 900 Modul)
05	784234-13		B = 440 mm (DL- Drier)
	784234-2		B = 440 mm (DS- Drier)
	784234-5		B = 560 mm (DS- Drier)
06	784234-3		B = 440 mm (AR / AN- Segment)
	784234-6		B = 560 mm (AR / AN- Segment)
07	784234-7		B = 440 mm (AR / AN- Segment)
	784234-10		B = 560 mm (AR / AN- Segment)
08	784241-1		(E- Prewash)
	784241-3		(S- Prewash, 900 Modul)
09	784244-1		
10	784241-3		(AR / AN- Segment)
11	784241-1		(AR / AN- Segment)
12	784253-1		
13	784242-1		(E- Prewash)
	784242-3		(S- Prewash, 900 Modul)
14	784242-1		
15	784242-3		(AR / AN- Segment)
16	784243-1		
17	868980-1		
18	774714-1		
19	229517		
20	324221-1		
21	868985-1		







**A** conveyor width  
 largeur du convoyeur  
 Bandbreite  
 bandbreedte

**B** usable height  
 hauteur de passage  
 Durchlaufhöhe  
 doorvoerhoogte

Pos.	L/R G/D	R/L D/G	Specifications / Spécification / Angaben / Opgaven
01		784248-1	B = 440 mm (E- Prewash)
		784248-4	B = 560 mm (E- Prewash)
		784248-3	B = 440 mm (S- Prewash, 900 Modul)
		784248-6	B = 560 mm (S- Prewash, 900 Modul)
02		784248-7	B = 440 mm (DL- Drier)
		784248-8	B = 440 mm (DS- Drier)
		784248-11	B = 560 mm (DS- Drier)
03		784240-2	B = 440 mm (AR / AN- Segment)
		784240-4	B = 560 mm (AR / AN- Segment)
04		784234-1	B = 440 mm (E- Prewash)
		784234-4	B = 560 mm (E- Prewash)
		784234-3	B = 440 mm (S- Prewash, 900 Modul)
		784234-6	B = 560 mm (S- Prewash, 900 Modul)
05		784234-14	B = 440 mm (DL- Drier)
		784234-8	B = 440 mm (DS- Drier)
		784234-11	B = 560 mm (DS- Drier)
06		784234-9	B = 440 mm (AR / AN- Segment)
		784234-12	B = 560 mm (AR / AN- Segment)
07		784234-1	B = 440 mm (AR / AN- Segment)
		784234-4	B = 560 mm (AR / AN- Segment)
08		784244-1	
09		784241-1	(E- Prewash)
		784241-3	(S- Prewash, 900 Modul)
10		784241-3	(AR / AN- Segment)
11		784241-1	(AR / AN- Segment)
12		784253-1	
13		784242-1	(E- Prewash)
		784242-3	(S- Prewash, 900 Modul)
14		784242-1	
15		784242-3	(AR / AN- Segment)
16		784243-1	
17		868980-1	
18		774714-1	
19		229517	
20		324221-1	
21		868985-1	